



PIAGGIO & C.s.p.a.



SPARE PARTS CATALOGUE



V 65 Florida 650 1986-1992

Chassis prefix: ZGUPW

Engine prefix:

V 65

GU058



Index

Products.....	4
Part reference.....	5
TELAIO.....	12
Drawing 33.01 - Batteria-Alternatore Saprisa.....	12
Drawing 33.02 - Borse laterali-coppia.....	14
Drawing 33.03 - Carrozzeria.....	15
Drawing 33.04 - Coppia conica.....	17
Drawing 33.05 - Cruscotto.....	20
Drawing 33.06 - Fanale ant.-claxon.....	22
Drawing 33.07 - Fanale posteriore.....	24
Drawing 33.08 - Filtro aria.....	25
Drawing 33.09 - Forcella anteriore.....	27
Drawing 33.10 - Forcellone-ruota post.raggi.....	29
Drawing 33.11 - Forcellone-ruota post.lega.....	30
Drawing 33.12 - Impianto elettrico.....	31
Drawing 33.13 - Impianto freno ant.dx.....	33
Drawing 33.14 - Impianto freno ant.sx/post.....	35
Drawing 33.15 - Manubrio comandi Domino-Cev.....	37
Drawing 33.16 - Manubrio comandi Magura.....	38
Drawing 33.17 - Parabrezza-paraurti ant.....	40
Drawing 33.18 - Parafanghi.....	42
Drawing 33.19 - Pedane - cavalletto.....	43
Drawing 33.20 - Pinze freno post.-ruota raggi.....	45
Drawing 33.21 - Pinze freno.....	46
Drawing 33.22 - Ruota ant.raggi.....	48
Drawing 33.23 - Ruota ant.lega.....	49
Drawing 33.24 - Ruota post.raggi.....	50
Drawing 33.25 - Ruota post.lega.....	51
Drawing 33.26 - Sospensioni ant./post.....	52
Drawing 33.27 - Telaio.....	54
Drawing 33.29 - Alimentazione.....	56
Drawing 33.36 - Gruppo scarico.....	57
MOTORE.....	58
Drawing 34.28 - Albero motore.....	58
Drawing 34.30 - Alternatore-regolatore Bosch.....	59
Drawing 34.31 - Cambio.....	60
Drawing 34.32 - Carburatori.....	63
Drawing 34.33 - Carter motore.....	65
Drawing 34.34 - Distribuzione.....	67
Drawing 34.35 - Frizione.....	69
Drawing 34.37 - Motorino avviamento Valeo.....	71
Drawing 34.38 - Pompa olio.....	72
Drawing 34.39 - Scatola cambio.....	74



V 65
GU058 - V 65 Florida 650 1986-1992

Chassis prefix: ZGUPW
Engine prefix:

Drawing 34.40 - Testa cilindro.....76



V 65
GU058 - V 65 Florida 650 1986-1992

Chassis prefix: ZGUPW
Engine prefix:

Products

Code	Validity
no products	



Code	Drawing Nr.	Pos.	Code	Drawing Nr.	Pos.	Code	Drawing Nr.	Pos.
0000000	33.01	36	GU14547800	33.10	14	GU19015460	34.33	37
0000000	33.21	1	GU14547800	33.11	14	GU19016320	34.33	10
0000000	34.32	16	GU14551655	33.26	15	GU19017000	33.19	31
0000000	34.32	23	GU14609650	33.01	17	GU19017120	34.33	17
0000000	34.32	29	GU14609650	33.12	15	GU19018920	34.38	12
0000000	34.32	33	GU14609650	33.16	35	GU19021360	34.40	18
0000000	34.32	34	GU14609650	33.21	15	GU19023700	34.40	10
0000000	34.32	39	GU14609650	33.27	17	GU19025280	33.36	5
0000000	34.32	40	GU14615901	33.04	29	GU19025300	34.40	6
0000000	34.32	9	GU14615901	33.09	39	GU19025460	33.36	6
GU00823923140	33.08	27	GU14615901	33.10	20	GU19027500	34.34	15
GU00823932085	33.03	7	GU14615901	33.11	20	GU19030500	34.34	7
GU00823942090	33.08	26	GU14615901	33.27	6	GU19032080	34.34	10
GU00823950050	33.14	24	GU14615901	33.36	18	GU19032380	34.34	11
GU00823956080	33.03	5	GU14615901	34.28	19	GU19032980	34.34	14
GU10054100	34.31	12	GU14616150	33.23	12	GU19032980	34.40	25
GU10054100	34.31	42	GU14616150	33.25	8	GU19034000	34.34	8
GU10158201	34.38	17	GU14634400	33.24	11	GU19036082	34.34	1
GU10158701	34.38	18	GU14634400	33.25	4	GU19036183	34.34	2
GU10214301	34.31	27	GU14657050	33.21	10	GU19037820	34.40	8
GU10214302	34.31	27	GU14704205	34.30	12	GU19045060	34.34	26
GU10214303	34.31	27	GU14705350	33.01	38	GU19045861	34.34	25
GU10214304	34.31	27	GU14707000	33.01	2	GU19054521	34.34	17
GU10214305	34.31	27	GU14712459	34.30	2	GU19055700	34.34	23
GU10528900	33.04	11	GU14717400	33.01	8	GU19058021	34.34	19
GU10528900	33.04	9	GU14717600	33.01	4	GU19058220	34.34	20
GU10528900	34.33	22	GU14730570	33.01	37	GU19060469	34.28	10
GU10528900	34.39	23	GU14756255	33.06	5	GU19060663	34.28	16
GU10934900	34.32	38	GU14769200	33.05	34	GU19060763	34.28	11
GU12087001	34.35	10	GU14769470	33.15	24	GU19061063	34.28	12
GU12150700	34.38	21	GU14769870	33.15	23	GU19061263	34.28	13
GU12150900	34.38	19	GU14912755	33.18	21	GU19061363	34.28	14
GU12154200	34.33	33	GU14931650	34.32	32	GU19061561	34.28	3
GU12154200	34.39	12	GU14934650	34.32	11	GU19061860	34.28	17
GU12159000	34.38	10	GU17530260	33.17	22	GU19062261	34.28	4
GU12434001	33.19	5	GU17573860	33.21	14	GU19064161	34.28	1
GU12626800	34.31	49	GU17658260	33.13	7	GU19065400	34.28	2
GU12717600	33.15	28	GU17658360	33.13	6	GU19067700	34.28	18
GU12717600	33.16	29	GU17658860	33.21	16	GU19067900	34.35	5
GU12735100	33.21	11	GU17659350	33.14	30	GU19083462	34.35	2
GU12937200	34.32	10	GU17661052	33.14	23	GU19102750	33.03	8
GU13021900	34.33	36	GU17704300	34.30	11	GU19111060	33.08	5
GU13021900	34.40	12	GU17712400	34.30	1	GU19111160	33.08	6
GU13432640	33.19	4	GU17719900	34.30	5	GU19112960	33.08	3
GU13933100	34.32	17	GU17740405	33.06	11	GU19113460	33.08	9
GU13934600	34.32	36	GU17750520	33.12	6	GU19113760	33.08	7
GU13934700	34.32	37	GU17751100	33.16	28	GU19113960	33.08	4
GU13936200	34.32	26	GU17765560	33.05	10	GU19114060	33.08	1
GU13936300	34.32	27	GU17937450	34.32	22	GU19114360	33.29	10
GU13936600	34.32	30	GU18144350	34.38	26	GU19114460	33.29	13
GU13936700	34.32	31	GU18161150	34.38	29	GU19114680	33.29	12
GU13937800	34.32	25	GU18252050	33.19	36	GU19115580	33.29	5
GU13937900	34.32	21	GU18257551	33.14	7	GU19121050	33.36	7
GU14018400	33.27	24	GU18257950	34.31	48	GU19133560	33.29	15
GU14086000	34.35	9	GU18258101	34.31	52	GU19134000	33.29	16
GU14086100	34.35	11	GU18513460	33.09	6	GU19146420	34.38	1
GU14090201	34.35	13	GU18513560	33.09	2	GU19147721	34.38	23
GU14090400	34.35	14	GU18516660	33.09	10	GU19147820	34.38	4
GU14217901	34.35	31	GU18740435	33.06	3	GU19148420	34.38	5
GU14217901	34.35	6	GU19001200	34.33	15	GU19149800	34.38	24
GU14217901	34.39	7	GU19002020	34.33	9	GU19152200	34.38	13
GU14251001	33.14	2	GU19002020	34.39	16	GU19153000	34.38	16
GU14251001	34.31	59	GU19003602	34.33	20	GU19157800	33.14	25
GU14423800	33.08	23	GU19003800	34.33	8	GU19201120	34.39	15
GU14494600	33.26	3	GU19004920	34.33	28	GU19202320	34.39	29
GU14516700	33.26	4	GU19007700	34.33	40	GU19203460	34.35	29
GU14517000	33.26	5	GU19015020	34.33	5	GU19206501	34.39	22



Code	Drawing Nr.	Pos.	Code	Drawing Nr.	Pos.	Code	Drawing Nr.	Pos.
GU19207220	34.39	11	GU19355328	33.04	44	GU19762810	33.05	35
GU19208220	34.39	27	GU19355329	33.04	44	GU19768680	33.05	17
GU19210561	34.31	1	GU19355360	34.31	32	GU19782520	33.27	2
GU19210760	34.35	20	GU19355400	33.04	21	GU19934480	34.32	20
GU19211160	34.31	41	GU19355402	33.04	21	GU19934600	34.32	7
GU19211361	34.31	8	GU19355404	33.04	21	GU19934860	34.32	1
GU19211460	34.31	6	GU19355406	33.04	21	GU19934960	34.32	2
GU19211861	34.31	5	GU19355408	33.04	21	GU19935080	34.32	12
GU19212061	34.31	2	GU19355410	33.04	21	GU19935580	34.32	3
GU19212900	34.31	15	GU19355411	33.04	21	GU19935700	34.32	4
GU19213661	34.31	14	GU19355412	33.04	21	GU19935750	34.32	4
GU19213720	34.31	17	GU19355413	33.04	21	GU19936000	34.32	6
GU19213760	34.35	22	GU19356320	33.04	19	GU19937180	34.32	13
GU19214063	34.31	24	GU19356700	33.04	39	GU19938580	34.32	14
GU19214660	34.31	11	GU19356760	34.35	24	GU19939980	34.32	19
GU19214860	34.31	21	GU19356801	33.04	37	GU20085720	34.35	8
GU19215161	34.31	22	GU19357660	33.04	25	GU20208520	34.31	40
GU19215261	34.31	23	GU19433000	33.08	22	GU20527620	33.09	14
GU19215460	34.31	3	GU19433000	33.19	12	GU20999520	34.31	38
GU19218061	34.31	25	GU19436500	33.21	13	GU23003510	34.33	19
GU19218062	34.31	9	GU19438770	33.18	7	GU23021910	34.40	7
GU19231020	34.31	35	GU19498060	33.26	21	GU23022170	34.40	1
GU19231220	34.31	34	GU19529660	33.09	29	GU23022270	34.40	2
GU19234420	34.31	30	GU19547000	33.10	12	GU23060170	34.40	17
GU19234600	34.31	31	GU19547000	33.11	12	GU23060171	34.40	17
GU19235800	34.39	8	GU19556160	33.26	8	GU23060271	34.28	20
GU19237800	34.39	13	GU19603015	33.15	27	GU23060471	34.28	10
GU19250900	34.31	58	GU19603515	33.15	8	GU23093070	33.16	34
GU19256920	34.31	55	GU19615235	33.22	2	GU23093870	33.16	30
GU19257701	34.31	61	GU19615335	33.23	3	GU23100211	33.03	1
GU19258220	34.31	45	GU19632501	33.24	4	GU23100212	33.03	1
GU19327601	33.10	5	GU19632501	33.25	6	GU23105370	33.03	3
GU19327601	33.11	5	GU19632502	33.24	5	GU23105470	33.03	4
GU19327701	33.10	2	GU19632502	33.25	7	GU23112674	33.29	1
GU19327701	33.11	2	GU19633935	33.25	9	GU23112675	33.29	2
GU19328801	33.10	3	GU19634100	33.25	3	GU23112676	33.29	1
GU19328801	33.11	3	GU19635736	33.04	28	GU23112677	33.29	2
GU19350421	33.04	13	GU19636400	33.25	11	GU23114071	33.29	10
GU19350700	33.04	22	GU19655265	33.20	19	GU23115070	33.29	3
GU19351100	33.04	4	GU19658660	33.21	7	GU23115071	33.29	4
GU19351401	33.04	16	GU19658735	33.21	12	GU23117570	33.16	22
GU19351900	33.04	2	GU19659500	33.14	28	GU23117770	33.16	33
GU19352300	33.04	23	GU19659600	33.14	29	GU23120770	33.36	1
GU19352401	33.04	31	GU19667500	33.14	14	GU23120771	33.36	2
GU19353500	33.04	24	GU19667600	33.14	15	GU23121110	33.36	3
GU19354621	33.04	18	GU19668000	33.20	16	GU23122910	33.36	10
GU19355121	33.04	34	GU19668000	33.21	6	GU23123010	33.36	11
GU19355200	33.04	35	GU19668565	33.21	26	GU23126910	33.36	4
GU19355202	33.04	36	GU19675000	33.14	6	GU23127670	33.36	20
GU19355300	33.04	33	GU19677000	33.14	1	GU23128610	33.36	13
GU19355301	33.04	33	GU19704800	33.01	3	GU23128710	33.36	14
GU19355302	33.04	33	GU19705900	33.18	13	GU23132810	33.16	8
GU19355303	33.04	33	GU19705900	33.27	3	GU23133100	33.29	14
GU19355304	33.04	33	GU19707100	33.01	12	GU23159670	33.08	17
GU19355305	33.04	33	GU19707100	33.01	33	GU23200370	34.39	10
GU19355306	33.04	33	GU19718000	33.29	17	GU23200472	34.35	26
GU19355307	33.04	33	GU19725820	33.12	13	GU23202074	34.31	28
GU19355308	33.04	33	GU19732500	33.12	14	GU23210170	34.31	62
GU19355309	33.04	33	GU19733350	33.01	35	GU23210570	34.31	1
GU19355320	33.04	44	GU19740302	33.06	23	GU23212070	34.31	2
GU19355321	33.04	44	GU19740303	33.06	24	GU23213870	34.39	5
GU19355322	33.04	44	GU19740404	33.06	7	GU23214071	34.31	24
GU19355323	33.04	44	GU19740454	33.06	2	GU23214571	34.31	20
GU19355324	33.04	44	GU19740455	33.06	3	GU23215270	34.31	23
GU19355325	33.04	44	GU19741336	33.05	36	GU23217800	34.34	28
GU19355326	33.04	44	GU19748000	33.01	32	GU23328081	33.10	7
GU19355327	33.04	44	GU19748400	33.01	13	GU23328081	33.11	7



Code	Drawing Nr.	Pos.	Code	Drawing Nr.	Pos.	Code	Drawing Nr.	Pos.
GU23400110	33.27	1	GU23548080	33.10	8	GU23922210	33.26	28
GU23415670	33.21	25	GU23548080	33.11	8	GU23923310	33.03	21
GU23420310	33.19	1	GU23548180	33.10	9	GU23934870	34.32	1
GU23422110	33.19	2	GU23548180	33.11	9	GU23935770	34.32	4
GU23430370	33.19	3	GU23555280	33.26	20	GU23943410	33.09	42
GU23432011	33.19	11	GU23555281	33.26	12	GU23943510	33.06	10
GU23434010	33.19	14	GU23576910	33.17	12	GU23943510	33.17	7
GU23434210	33.18	1	GU23577270	33.17	1	GU23991070	34.33	41
GU23437010	33.18	14	GU23610370	33.22	1	GU23991572	34.39	30
GU23438510	33.18	25	GU23610380	33.23	1	GU23996771	33.03	9
GU23438980	33.18	16	GU23611271	33.22	4	GU23996772	33.03	9
GU23439010	33.18	24	GU23630370	33.24	1	GU23996871	33.03	10
GU23439210	33.18	23	GU23630680	33.25	1	GU23996872	33.03	10
GU23440710	33.19	18	GU23631170	33.24	14	GU23999270	33.26	6
GU23440710	33.27	28	GU23631470	33.24	13	GU23999272	33.02	19
GU23441110	33.19	20	GU23633380	33.25	12	GU23999570	33.16	38
GU23441110	33.27	37	GU23653011	33.20	1	GU25656100	33.13	5
GU23441210	33.19	21	GU23653011	33.21	1	GU25656100	33.20	8
GU23441210	33.27	30	GU23655770	33.13	22	GU25656100	33.21	9
GU23441810	33.19	19	GU23657110	33.13	3	GU27001136	34.33	25
GU23441810	33.27	29	GU23657870	33.21	27	GU27001636	34.33	24
GU23442210	33.19	30	GU23658770	33.21	28	GU27004985	34.33	28
GU23442210	33.27	34	GU23659310	33.13	16	GU27020820	34.40	24
GU23442310	33.27	8	GU23661110	33.13	15	GU27022060	34.40	19
GU23442710	33.27	27	GU23721493	33.12	3	GU27037521	34.34	4
GU23443210	33.19	24	GU23725870	33.12	13	GU27045420	34.34	29
GU23443210	33.27	8	GU23736812	33.01	22	GU27053362	34.34	16
GU23443510	33.27	5	GU23738070	33.16	2	GU27053463	34.34	16
GU23446010	33.27	4	GU23740418	33.06	6	GU27060860	34.28	15
GU23447610	33.17	14	GU23740910	33.07	1	GU27062060	34.28	6
GU23447710	33.17	15	GU23741710	33.07	2	GU27065660	34.28	7
GU23450210	33.17	13	GU23743010	33.12	10	GU27066460	34.28	9
GU23451170	33.17	34	GU23747170	33.12	1	GU27066560	34.28	8
GU23460510	33.03	11	GU23747171	33.12	1	GU27080160	34.35	1
GU23464010	33.03	14	GU23747210	33.12	2	GU27084460	34.35	4
GU23464811	33.03	23	GU23747211	33.12	2	GU27111271	33.08	30
GU23466611	33.03	15	GU23747310	33.12	18	GU27111272	33.08	30
GU23474610	33.07	12	GU23748210	33.12	19	GU27113985	33.08	24
GU23475572	33.02	4	GU23748310	33.12	20	GU27117515	33.15	9
GU23475772	33.02	3	GU23750370	33.16	3	GU27117615	33.15	10
GU234762101	33.03	9	GU23750610	33.06	13	GU27117775	33.15	12
GU23481272	33.02	6	GU23750670	33.06	13	GU27132815	33.15	22
GU23481372	33.02	5	GU23750670	33.07	6	GU27133515	33.15	26
GU23481472	33.02	7	GU23751310	33.26	24	GU27133515	33.16	9
GU23482572	33.02	1	GU23753710	33.06	16	GU27152885	34.33	32
GU23485072	33.02	20	GU23753710	33.07	7	GU27153085	34.38	16
GU23486572	33.02	21	GU23753770	33.06	16	GU27153460	33.08	16
GU23490371	33.26	1	GU23758510	33.07	4	GU27157420	33.08	21
GU23494070	33.09	1	GU23760010	33.05	1	GU27159360	33.08	20
GU23496170	33.09	33	GU23761570	33.05	2	GU27350410	33.04	13
GU23496270	33.09	34	GU23761910	33.05	5	GU27356910	33.24	9
GU23497910	33.09	44	GU23762010	33.05	6	GU27357411	33.04	46
GU23500210	33.09	41	GU23762470	33.05	2	GU27418210	33.27	12
GU23505810	33.26	27	GU23764110	33.05	19	GU27436920	33.18	2
GU23506810	33.17	3	GU23764910	33.05	9	GU27468720	33.03	12
GU23506910	33.17	4	GU23765110	33.05	8	GU27499120	33.09	32
GU23522570	33.09	11	GU23766510	33.05	13	GU27526320	33.09	48
GU23522670	33.09	12	GU23766910	33.05	32	GU27526685	33.09	49
GU23525470	33.09	17	GU23766911	33.05	20	GU27540211002	33.10	11
GU23526370	33.09	48	GU23767270	33.05	4	GU27601015	33.15	16
GU23526470	33.09	19	GU23768110	33.05	14	GU27601215	33.15	15
GU23526610	33.09	47	GU23768310	33.05	3	GU27601815	33.15	17
GU23526910	33.09	22	GU23769510	33.26	25	GU27603400	33.15	2
GU23527910	33.09	37	GU23900010	33.18	22	GU27603715	33.15	11
GU23530510	33.06	25	GU23900011	33.18	22	GU27603815	33.15	5
GU23531860	33.17	23	GU23900012	33.18	22	GU27604415	33.15	4
GU23540210	33.11	1	GU23900013	33.18	22	GU27604515	33.15	6



Code	Drawing Nr.	Pos.	Code	Drawing Nr.	Pos.	Code	Drawing Nr.	Pos.
GU27604815	33.13	25	GU28929940	33.18	20	GU31350231	33.10	1
GU27609685	33.08	28	GU29106500	33.03	5	GU31350331	33.04	1
GU27616110	33.22	14	GU29123450	33.36	12	GU31351200	33.04	6
GU27616110	33.24	16	GU29132050	33.16	24	GU31351200	34.39	24
GU27616111	33.22	14	GU29132350	33.16	26	GU314763621	33.03	10
GU27616111	33.24	16	GU29132650	33.16	27	GU31493140	33.09	7
GU27616112	33.22	14	GU29132750	33.16	31	GU31544160	33.10	23
GU27616112	33.24	16	GU29133250	33.16	25	GU31584630	33.12	22
GU27616113	33.22	14	GU29482060	33.02	2	GU31613335	33.22	5
GU27616113	33.24	16	GU29530580	33.02	22	GU31613335	33.23	5
GU27616335	33.23	2	GU29600351	33.15	1	GU31613335	33.24	2
GU27631250	33.24	15	GU29600351	33.16	1	GU31613380	33.22	5
GU27633910	33.24	8	GU29603050	33.16	7	GU31613380	33.24	2
GU27634110	33.04	47	GU29603550	33.16	11	GU31626860	33.14	22
GU27635811	33.20	3	GU29605550	33.16	6	GU31633330	33.24	10
GU27654610	33.13	17	GU29606970	33.15	29	GU31634130	33.20	5
GU27654610	33.21	20	GU29608750	33.16	5	GU31634230	33.20	4
GU27657120	33.20	6	GU29660250	33.13	1	GU31652265	33.21	17
GU27659415	33.15	19	GU29703800	34.30	6	GU31652365	33.13	10
GU27661115	33.13	15	GU29722270	33.01	26	GU31654660	33.13	17
GU27663615	33.13	11	GU29743752	33.06	17	GU31654660	33.20	2
GU27663815	33.15	21	GU29743753	33.06	18	GU31654660	33.21	20
GU27664075	33.13	2	GU29743753	33.06	18	GU31654665	33.13	17
GU27710435	33.12	21	GU29769460	33.16	36	GU31654665	33.21	20
GU27721037	33.01	29	GU29769860	33.16	37	GU31654765	33.13	8
GU27721063	33.01	29	GU29999250	33.16	12	GU31654765	33.21	17
GU27723835	33.12	4	GU30103960	33.03	2	GU31659160	33.20	12
GU27725820	33.12	13	GU30157430	33.08	21	GU31659160	33.21	23
GU27738015	33.15	25	GU30485010	33.02	8	GU31659165	33.13	19
GU27749815	33.13	26	GU30486510	33.02	9	GU31659165	33.21	23
GU27760410	33.05	12	GU30489910	33.02	14	GU31659260	33.13	20
GU27933720	34.32	18	GU30530510	34.37	3	GU31659260	33.20	13
GU27934315	34.32	8	GU30530511	34.37	4	GU31659260	33.21	24
GU27935960	34.32	5	GU30530512	34.37	9	GU31659265	33.13	20
GU27999060	34.33	35	GU30602500	33.15	18	GU31659265	33.21	24
GU28004950	34.33	30	GU30605530	33.15	13	GU31666990	33.14	13
GU28108410	33.03	6	GU30607910	33.15	7	GU31716560	33.01	5
GU28109040	33.27	18	GU30607910	33.16	23	GU31717060	33.01	9
GU28113650	33.08	2	GU30717410	33.01	8	GU31722140	33.12	5
GU28157950	33.03	6	GU30730711	34.37	1	GU31735360	33.05	37
GU28238261	34.31	39	GU30732510	33.12	14	GU31740420	33.06	3
GU28252060	33.19	36	GU31000331	34.33	1	GU31740520	33.06	1
GU28493100	33.09	7	GU31001431	34.33	14	GU31747161	33.12	1
GU28524500	33.09	18	GU31003431	34.33	26	GU31934460	34.32	20
GU28526540	33.09	46	GU31003531	34.33	19	GU31934680	34.32	36
GU28527540	33.09	21	GU31003766	33.04	8	GU31934962	34.32	2
GU28556250	33.09	26	GU31003766	34.33	21	GU31935562	34.32	3
GU28556250	33.26	9	GU31003766	34.39	26	GU31999565	34.33	34
GU28556350	33.09	28	GU31016050	34.38	28	GU31999581	34.38	9
GU28556350	33.26	11	GU31022131	34.40	1	GU35214300	33.10	13
GU28556450	33.09	25	GU31022231	34.40	2	GU35214300	33.11	13
GU28556450	33.26	10	GU31023500	34.40	9	GU35755780	33.05	29
GU28605678	33.13	28	GU31023531	34.40	9	GU39103400	33.27	16
GU28659378	33.13	16	GU31037015	34.34	13	GU39238100	34.31	43
GU28659740	33.18	4	GU31038015	34.34	5	GU39611601	33.22	13
GU28660178	33.13	32	GU31060616	34.28	16	GU39654700	33.13	8
GU28660278	33.13	1	GU31093061	33.15	20	GU39654700	33.21	18
GU28703800	33.01	18	GU311002601	33.03	1	GU39659000	33.13	18
GU28704545	33.01	1	GU31110715	33.08	8	GU39659000	33.21	22
GU28712400	33.01	10	GU31110815	33.08	10	GU39659100	33.13	19
GU28712459	33.01	14	GU31112965	33.08	29	GU39659100	33.21	23
GU28712500	33.01	11	GU31114165	33.08	11	GU39663801	33.13	9
GU28740533	33.06	1	GU31158250	34.38	17	GU39741101	33.16	10
GU28742560	33.12	11	GU31200231	34.39	17	GU39762501	33.22	15
GU28745760	33.05	28	GU31200831	34.39	1	GU39762501	33.23	15
GU28745761	33.05	28	GU31206500	33.04	10	GU39937600	34.32	24
GU28750561	33.12	6	GU31350200	33.11	21	GU43934000	34.32	35



Code	Drawing Nr.	Pos.	Code	Drawing Nr.	Pos.	Code	Drawing Nr.	Pos.
GU53429500	33.19	32	GU90706040	34.31	44	GU92602208	33.01	15
GU55234700	34.39	20	GU90706076	33.04	45	GU92602208	33.03	19
GU61013800	33.05	33	GU90706094	33.09	36	GU92602208	33.04	43
GU61013800	33.26	22	GU90706111	34.38	30	GU92602208	33.17	32
GU61013800	33.29	9	GU90706140	34.39	4	GU92602208	33.18	5
GU61013800	33.36	8	GU90706170	34.35	12	GU92602208	33.20	14
GU61013800	34.31	56	GU90706188	33.04	38	GU92602208	33.21	4
GU61027200	34.40	23	GU90706188	34.31	18	GU92602208	33.36	16
GU61036801	34.40	3	GU90706203	33.04	7	GU92602208	34.35	25
GU61037000	34.34	13	GU90706203	34.39	25	GU92602208	34.37	12
GU61037500	34.34	4	GU90706235	34.35	23	GU92602210	33.10	18
GU61037600	34.34	3	GU90706282	33.09	27	GU92602210	33.11	18
GU61038000	34.34	5	GU90706282	34.33	29	GU92602210	33.17	18
GU61038100	34.34	6	GU90706444	34.33	27	GU92602210	33.19	16
GU61054900	34.34	18	GU90706552	33.04	40	GU92602210	33.19	26
GU61108400	33.08	19	GU91180602	33.19	34	GU92602210	33.27	11
GU61108500	33.08	25	GU91180602	33.27	32	GU92602210	33.27	21
GU61238200	34.31	39	GU91180605	34.30	10	GU92602308	33.09	38
GU61270300	33.03	17	GU91180607	33.05	26	GU92602316	33.24	12
GU61270300	33.04	26	GU91180618	33.17	24	GU92602316	33.25	5
GU61270300	33.13	14	GU91180627	34.30	15	GU92602406	34.34	9
GU61270300	33.18	6	GU91180705	33.14	31	GU92602410	33.26	18
GU61270300	33.20	10	GU91180706	33.26	30	GU92602508	34.35	15
GU61270300	33.21	3	GU91180721	33.01	7	GU92602510	34.38	25
GU61270300	33.36	15	GU91180917	33.02	12	GU92602512	34.39	14
GU61270300	34.33	6	GU91181016	33.09	5	GU92602516	33.22	12
GU61270300	34.35	35	GU91181114	33.19	7	GU92602516	33.23	9
GU61270300	34.40	21	GU91181407	33.26	13	GU92603010	34.40	11
GU61609630	33.12	15	GU91181804	33.22	16	GU92608202	33.13	29
GU61609630	33.16	35	GU91181804	33.23	6	GU92630104	33.13	24
GU62614120	33.22	9	GU91182010	34.31	40	GU92630105	33.08	15
GU62614120	33.23	14	GU91551080	33.27	15	GU92630106	33.02	15
GU62616320	33.22	10	GU91551085	33.05	25	GU92630106	33.05	27
GU62616320	33.23	7	GU91551099	33.18	15	GU92630106	33.07	10
GU62616800	33.23	16	GU92201070	33.04	14	GU92630106	33.07	17
GU63657000	33.20	17	GU92201120	34.39	28	GU92630106	33.17	21
GU65659200	33.13	20	GU92201220	34.31	16	GU92630106	33.17	27
GU65659200	33.21	24	GU92201225	34.35	28	GU92630106	33.18	12
GU65663500	33.14	21	GU92204215	34.39	2	GU92630106	33.18	17
GU65933600	34.32	15	GU92204217	33.22	3	GU92630106	34.31	57
GU65933700	34.32	28	GU92204217	33.23	4	GU92630108	33.02	13
GU66506820	33.17	2	GU92204217	33.24	7	GU92630508	33.03	18
GU66659031	33.13	18	GU92204217	33.25	10	GU92630508	33.09	52
GU66659031	33.21	22	GU92204218	33.24	6	GU92630510	33.17	8
GU90271008	33.14	9	GU92204218	33.25	2	GU92630510	33.19	10
GU90271018	34.34	12	GU92218417	34.31	10	GU92660008	33.36	19
GU90271020	34.31	33	GU92230320	34.31	13	GU92660501	33.01	16
GU90271117	34.31	29	GU92234716	34.31	26	GU92690073	33.14	8
GU90271121	34.31	19	GU92249220	33.04	32	GU92701062	33.36	9
GU90271127	34.31	4	GU92249223	33.04	20	GU92730082	33.22	8
GU90272023	33.10	4	GU92249225	33.26	2	GU92730082	33.23	10
GU90272023	33.11	4	GU92251023	34.31	7	GU92781082	33.10	19
GU90272075	34.35	3	GU92252210	34.38	3	GU92781082	33.11	19
GU90353009	34.40	4	GU92252235	33.04	5	GU92781100	33.09	30
GU90353029	34.34	24	GU92295708	33.13	30	GU93110060	33.02	18
GU90353030	33.04	17	GU92295911	34.38	8	GU93110060	33.05	30
GU90400616	34.35	21	GU92296726	34.38	7	GU93110060	33.07	15
GU90401530	34.33	11	GU92297909	34.31	36	GU93110060	33.17	10
GU90402038	34.33	18	GU92601206	33.16	20	GU93110060	33.18	10
GU90402840	34.33	18	GU92601208	34.33	7	GU93180080	33.13	31
GU90402841	34.39	3	GU92601210	33.27	25	GU93180105	33.10	21
GU90403245	34.35	19	GU92602205	33.12	9	GU93180105	33.11	11
GU90403247	33.04	41	GU92602205	34.30	16	GU93180220	34.35	27
GU90403547	33.04	3	GU92602206	33.06	19	GU93180245	34.40	22
GU90403857	33.09	13	GU92602206	33.14	20	GU93301313	33.06	22
GU90405367	34.33	13	GU92602206	33.19	29	GU93301313	33.20	15
GU90407590	33.04	15	GU92602206	34.31	50	GU93301315	33.12	17



Code	Drawing Nr.	Pos.	Code	Drawing Nr.	Pos.	Code	Drawing Nr.	Pos.
GU93305018	33.08	18	GU95021108	33.17	30	GU98054214	33.08	12
GU93305032	33.29	11	GU95021110	33.27	38	GU98054214	34.30	8
GU93305045	33.29	18	GU95100059	33.01	19	GU98054230	33.05	31
GU93305052	33.29	19	GU95100059	33.12	16	GU98054312	33.18	26
GU93305074	33.10	10	GU95100116	33.09	16	GU98054314	33.19	23
GU93305074	33.11	10	GU95100116	33.29	7	GU98054314	33.27	31
GU93450119	33.06	12	GU95100118	33.07	16	GU98054314	34.35	30
GU93450120	33.05	11	GU95100118	33.18	9	GU98054314	34.38	14
GU93450127	33.06	15	GU95100119	33.17	11	GU98054316	33.07	14
GU93450127	33.07	8	GU95100141	33.18	11	GU98054316	33.07	9
GU93450129	33.06	15	GU95100141	34.30	14	GU98054316	33.14	26
GU93450140	33.05	18	GU95100250	33.13	13	GU98054316	34.35	7
GU93450224	33.07	3	GU95100250	33.21	21	GU98054318	33.02	17
GU93450231	33.06	4	GU95100251	33.13	13	GU98054320	33.05	23
GU93450232	33.06	4	GU95100251	33.21	21	GU98054320	33.18	18
GU94321067	34.39	21	GU95100256	33.26	14	GU98054320	33.26	23
GU94321072	34.38	20	GU95100523	33.10	24	GU98054322	33.19	17
GU94321099	33.10	6	GU95100523	34.38	22	GU98054325	33.18	8
GU94321099	33.11	6	GU95100709	34.33	31	GU98054330	33.14	17
GU94321105	34.35	16	GU95120105	33.17	17	GU98054418	33.04	30
GU94322215	33.19	8	GU95120105	33.27	10	GU98054418	33.27	13
GU95000205	33.01	25	GU95129100	34.30	9	GU98054530	33.19	6
GU95000205	33.08	14	GU95129110	33.14	11	GU98072490	34.33	32
GU95000205	33.12	8	GU95129110	34.31	51	GU98072555	33.09	3
GU95000206	33.02	16	GU95129115	34.34	22	GU98072570	33.17	33
GU95000206	33.06	21	GU95129130	33.19	35	GU98110199	33.27	19
GU95000206	33.07	11	GU95129130	33.27	33	GU98200214	33.13	27
GU95000206	33.14	18	GU95129180	34.33	38	GU98230825	33.24	3
GU95000206	33.14	27	GU95129180	34.40	13	GU98231025	33.27	23
GU95000206	33.17	26	GU95129260	33.14	3	GU98260425	33.16	4
GU95000206	33.18	19	GU95129260	34.31	60	GU98280410	33.13	23
GU95000206	33.20	11	GU95187006	34.38	15	GU98280410	33.16	13
GU95000208	33.03	20	GU95401215	33.19	15	GU98290512	33.01	24
GU95000208	33.09	51	GU95401215	33.27	35	GU98310611	33.29	6
GU95000208	33.17	31	GU95500222	33.10	25	GU98326014	33.26	26
GU95000208	33.19	25	GU95500222	33.14	12	GU98326016	33.17	9
GU95000208	33.22	7	GU95500222	34.31	53	GU98610325	34.33	16
GU95000208	33.26	17	GU95500222	34.35	18	GU98610330	34.33	39
GU95000208	33.27	36	GU95500227	33.14	5	GU98610330	34.39	18
GU95000210	33.19	9	GU95512035	34.34	27	GU98610335	34.33	23
GU95004205	33.05	22	GU95520316	34.31	37	GU98610435	34.37	10
GU95004206	33.05	24	GU95770265	33.14	10	GU98610435	34.39	19
GU95004206	33.14	16	GU95770265	34.31	54	GU98610450	33.02	10
GU95004206	33.17	20	GU95780271	34.35	17	GU98610470	33.02	11
GU95004206	34.38	27	GU95980213	33.04	8	GU98610540	33.09	8
GU95004208	33.01	20	GU95980213	34.33	21	GU98612316	33.16	21
GU95004208	33.23	11	GU95980213	34.39	26	GU98612320	33.06	14
GU95004208	33.27	14	GU95990028	33.13	4	GU98612425	33.20	9
GU95004208	34.37	11	GU95990028	33.20	7	GU98612535	33.09	9
GU95004210	33.06	8	GU95990028	33.21	8	GU98620212	33.12	12
GU95004210	33.10	17	GU96451430	34.33	3	GU98620240	33.01	6
GU95004210	33.11	17	GU96451560	34.33	2	GU98620245	34.30	3
GU95004210	33.17	5	GU96506042	34.40	5	GU98620250	33.01	31
GU95004210	33.19	28	GU96508021	33.09	43	GU98620330	34.35	32
GU95004210	33.19	33	GU96508055	33.04	12	GU98620335	34.38	11
GU95004210	33.26	19	GU96508055	34.33	4	GU98620340	33.17	25
GU95004210	33.27	20	GU96508125	34.40	20	GU98620345	33.17	28
GU95004215	33.14	4	GU96510143	34.40	15	GU98620350	33.17	19
GU95004217	33.22	11	GU96510200	34.40	14	GU98620435	33.09	40
GU95004217	33.23	8	GU98052245	34.30	13	GU98620435	34.35	33
GU95007208	33.10	22	GU98052325	34.31	46	GU98620450	34.35	34
GU95007210	33.09	4	GU98052435	33.01	34	GU98620485	33.09	50
GU95021105	33.01	30	GU98052475	33.22	6	GU98620540	33.09	23
GU95021105	33.08	13	GU98052480	33.23	13	GU98622214	33.03	13
GU95021105	34.30	4	GU98052555	33.27	22	GU98622214	33.05	7
GU95021106	33.14	19	GU98052565	33.19	27	GU98622216	33.01	21
GU95021106	34.31	47	GU98054212	33.12	7	GU98622310	33.20	18

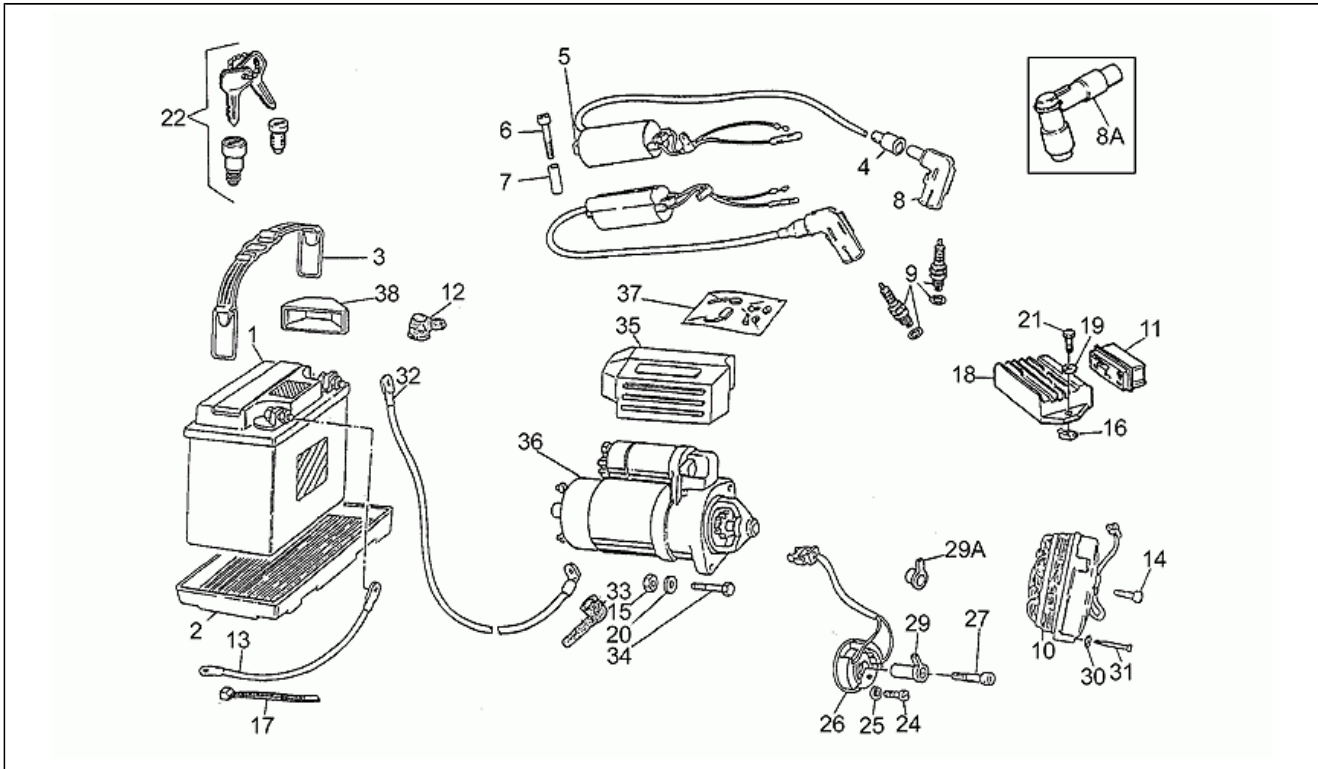


V 65
GU058 - V 65 Florida 650 1986-1992

Chassis prefix: ZGUPW
Engine prefix:

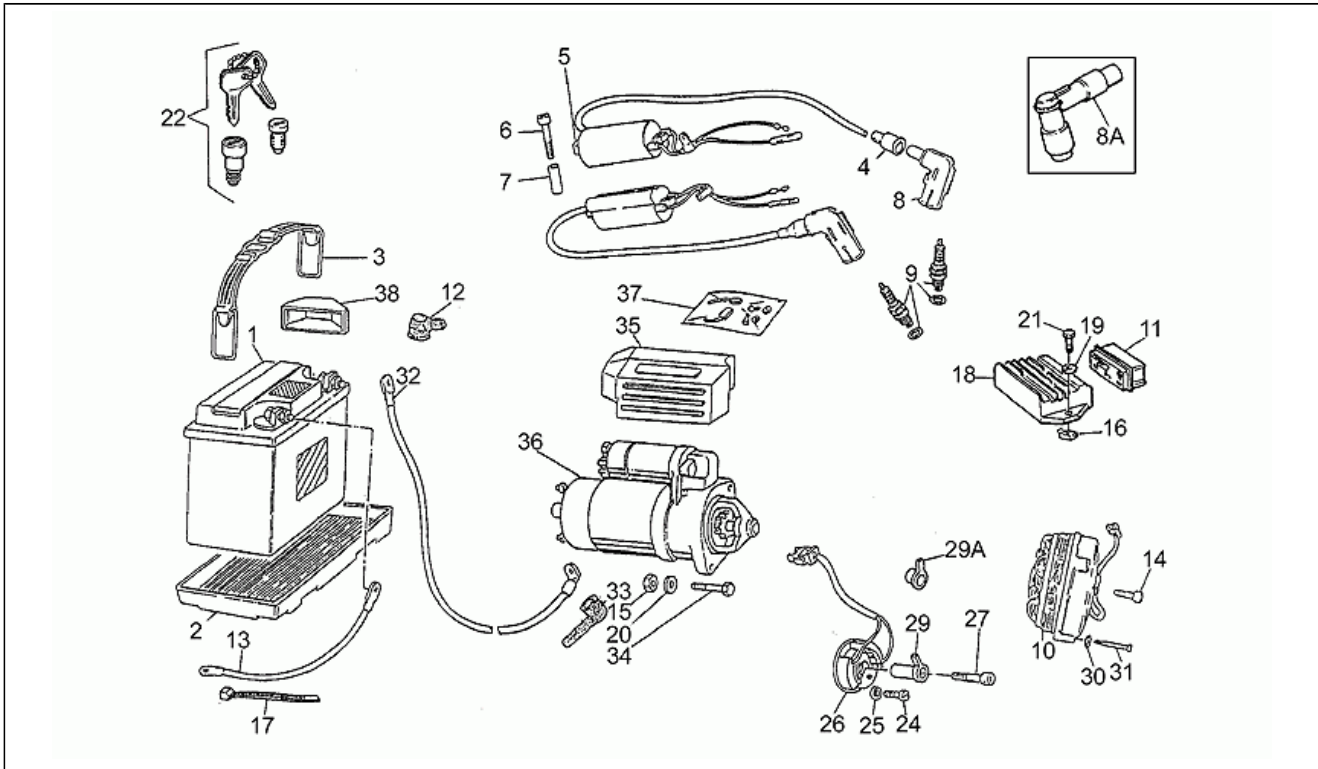
Code	Drawing Nr.	Pos.
GU98622314	34.39	6
GU98622314	34.39	9
GU98622318	33.01	27
GU98622320	33.09	15
GU98622325	34.40	16
GU98622416	33.27	7
GU98622422	33.13	12
GU98622422	33.21	19
GU98622422	33.21	2
GU98622425	33.09	45
GU98622425	33.13	21
GU98622425	33.17	29
GU98622425	33.36	17
GU98622525	33.27	9
GU98622530	33.09	24
GU98622535	33.06	9
GU98622535	33.17	6
GU98622545	33.17	16
GU98622545	33.27	26
GU98812216	33.13	2
GU98812325	33.29	8
GU98820545	33.10	16
GU98820545	33.11	16
GU98822314	33.06	20
GU98822316	34.34	21
GU98822416	33.26	29
GU98822420	33.03	16
GU98822440	33.26	16
GU99105129	33.19	13
GU99200413	33.07	13
GU99210210	33.05	16
GU99210322	33.07	18
GU99210520	33.07	5
GU99220316	33.03	24

Assembly	TELAIO
Code	33.01
Description	Batteria-Alternatore Saprisa
Revision	1



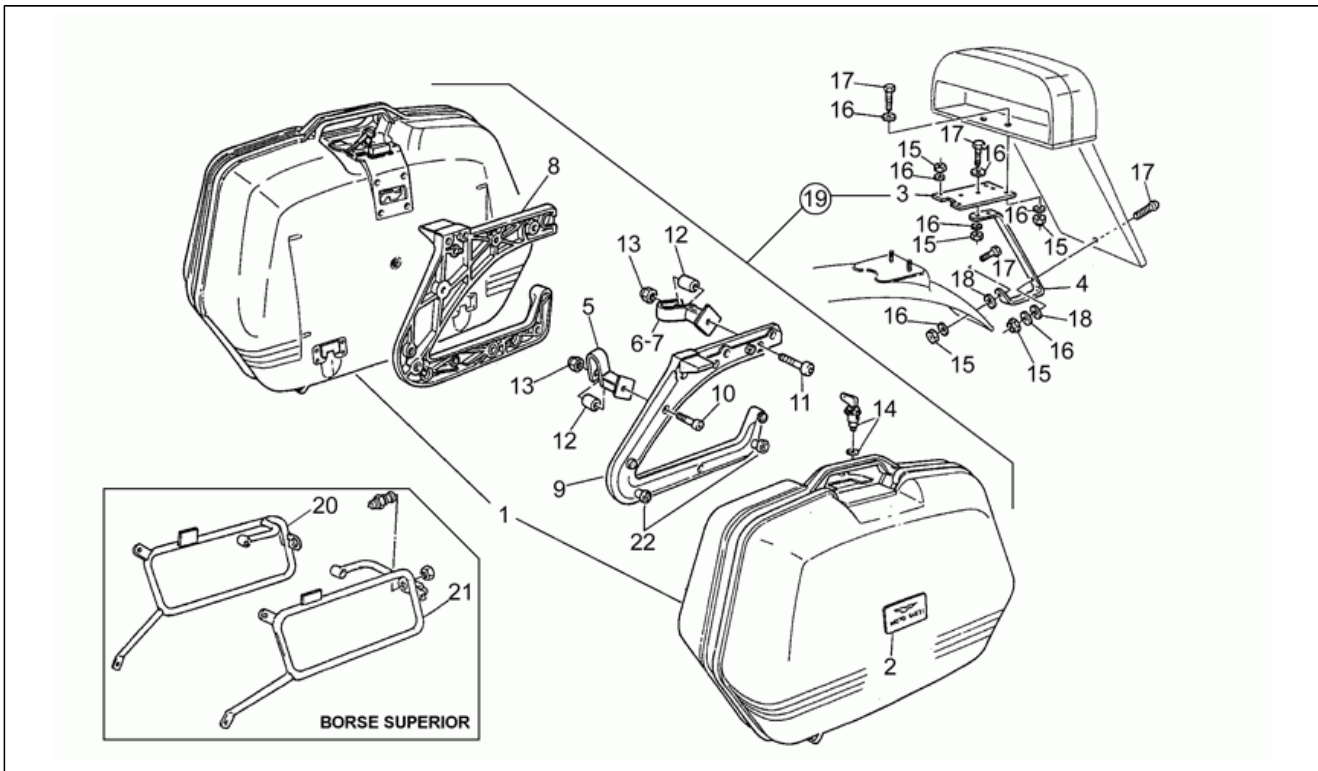
Pos.	Code	Description	Q.ty	Variants
1	GU28704545	Batteria VARTA 530.30 12V-30A	1	Specifiche Tecniche: Varta 530.30 12V-30Ah[V]
2	GU14707000	Vaschetta	1	
3	GU19704800	Staffa	1	
4	GU14717600	Cappuccio	2	
5	GU31716560	Bobina A.T.	2	Specifiche Tecniche: Nippodenso[N]
6	GU98620240	Vite	4	
7	GU91180721	Distanziale	4	
8	GU14717400	Pipetta candela	2	
8	GU30717410	Pipetta candela NGK	2	
9	GU31717060	Candela NGK B8ES	2	
10	GU28712400	Alternatore SAPRISA	1	
11	GU28712500	Connettore SAPRISA	1	
12	GU19707100	Cappuccio	1	
13	GU19748400	Cablaggio massa-batteria	1	
14	GU28712459	Vite	1	
15	GU92602208	Dado M8X1,25	1	
16	GU92660501	Dado in gabbia	4	
17	GU14609650	Fascetta 3,6x20,6	20	
18	GU28703800	Regolatore di tensione SAPRISA	1	Specifiche Tecniche: Saprisa[S]
19	GU95100059	Rosetta 5,25x14x1,5	2	
20	GU95004208	Rosetta	2	
21	GU98622216	Vite	2	
22	GU23736812	Kit serrature	1	
24	GU98290512	Vite	2	
25	GU95000205	Rosetta	2	
26	GU29722270	Sensore di fase	1	
27	GU98622318	Vite TCEI	1	
29	GU27721037	Rotore	1	Specifiche Tecniche: Fino al motore PG18909[M1]

Assembly	TELAIO
Code	33.01
Description	Batteria-Alternatore Saprisa
Revision	1



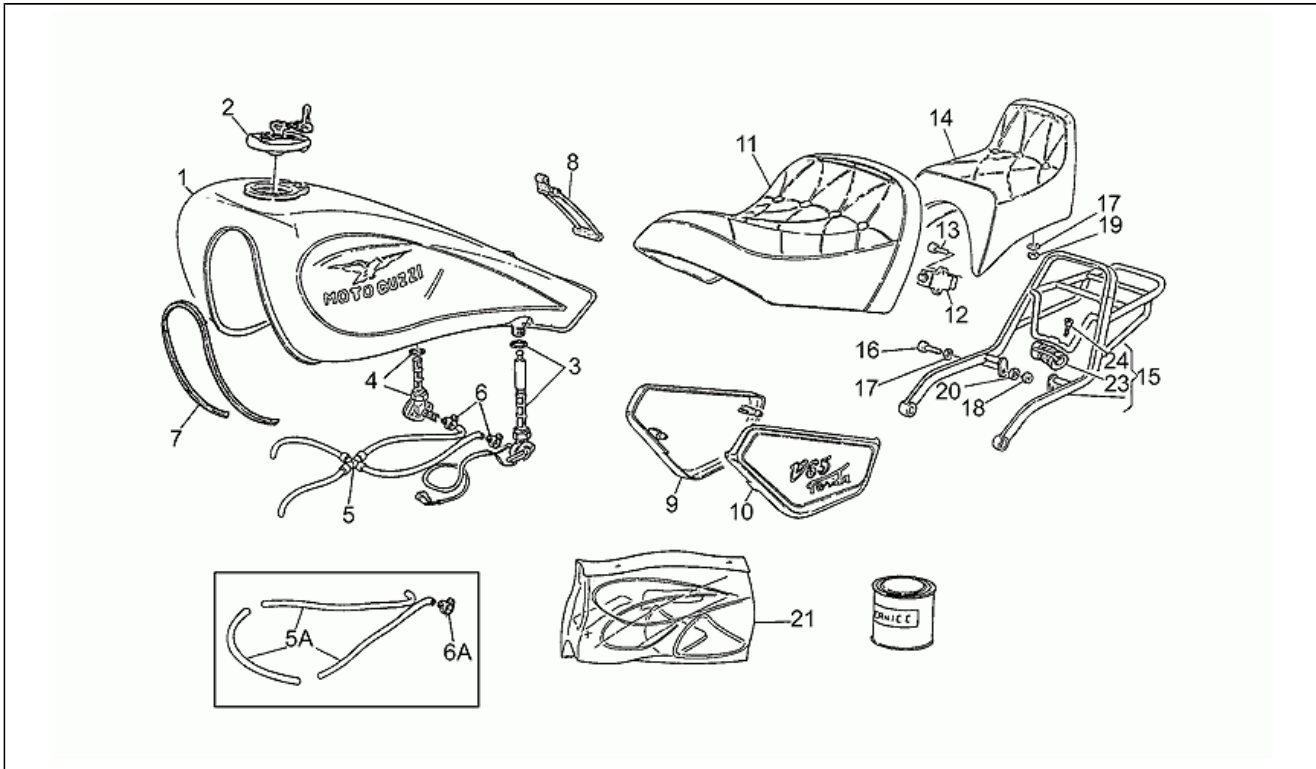
Pos.	Code	Description	Q.ty	Variants
29	GU27721063	Rotore	1	Specifiche Tecniche: Da motore PG18910[M2]
30	GU95021105	Rosetta dentellata	3	
31	GU98620250	Vite	3	
32	GU19748000	Cablaggio batteria-mot.avv.	1	
33	GU19707100	Cappuccio	2	
34	GU98052435	Vite TE M8X35	2	
35	GU19733350	Protezione	1	Specifiche Tecniche: Motorino Bosch[MB]
36	0000000	Copertura 110/90"	1	Specifiche Tecniche: Esaurito-ordinare Valeo 000307307110[E1]
37	GU14730570	Kit revisione motorino avv.	1	Specifiche Tecniche: Motorino Bosch[MB]
38	GU14705350	Cuneo ancoraggio accumulatore	1	

Assembly	TELAIO
Code	33.02
Description	Borse laterali-coppia
Revision	1



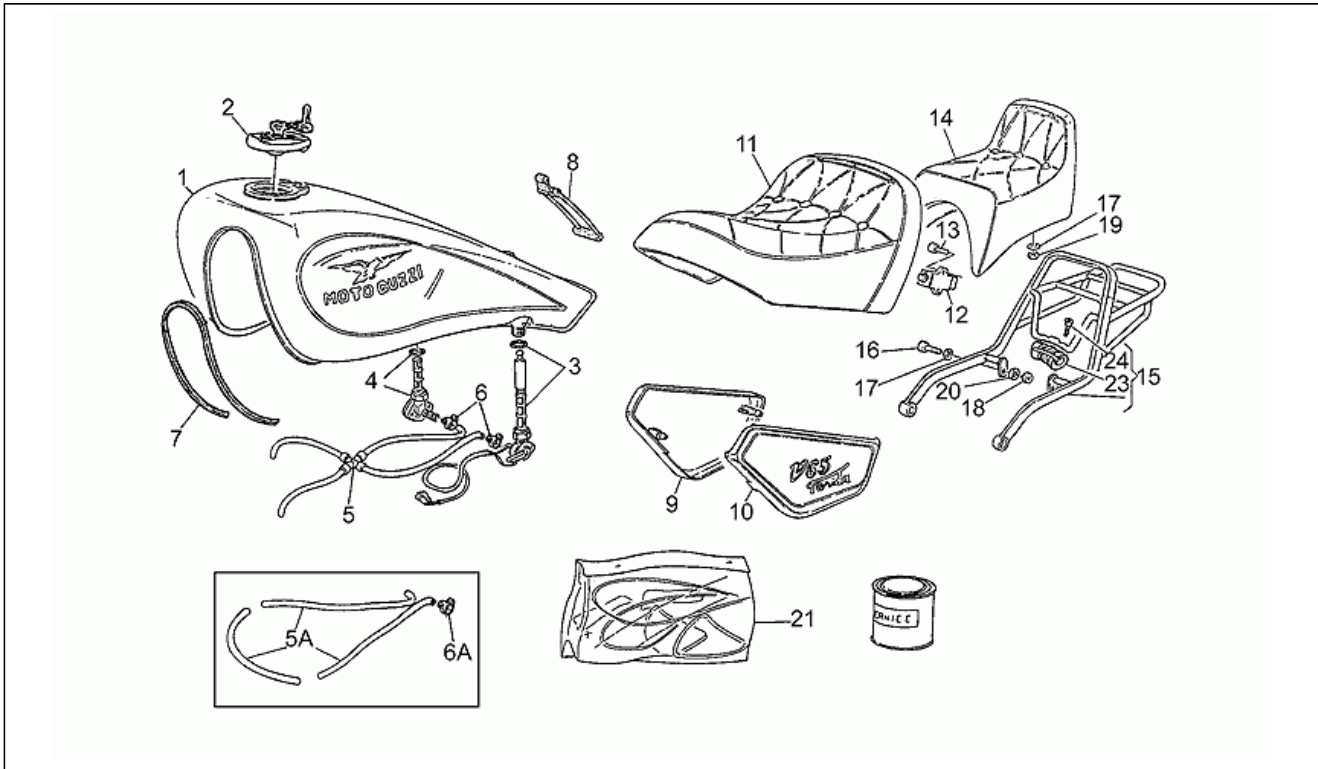
Pos.	Code	Description	Q.ty	Variants
1	GU23482572	Valigia laterale	2	
2	GU29482060	Targhetta "Moto Guzzi"	2	
3	GU23475772	Piastra	1	
4	GU23475572	Cavallotto	1	
5	GU23481372	Staffa ant.	2	
6	GU23481272	Staffa post.dx	1	
7	GU23481472	Staffa post.sx	1	
8	GU30485010	Supporto dx	1	
9	GU30486510	Supporto sx	1	
10	GU98610450	Vite	2	
11	GU98610470	Vite	2	
12	GU91180917	Distanziale	4	
13	GU92630108	Dado	4	
14	GU30489910	Serratura Cpl.	2	
15	GU92630106	Dado M6x1	7	
16	GU95000206	Rosetta	10	
17	GU98054318	Vite	5	
18	GU93110060	Gommino	2	
19	GU23999272	Kit valige GIVI	1	
20	GU23485072	Supporto dx	1	
21	GU23486572	Supporto sx	1	
22	GU29530580	Bussola a 'T'	1	Specifiche Tecniche: Vedi circolare tecnica n.290 del 1995[29095C]

Assembly	TELAIO
Code	33.03
Description	Carrozzeria
Revision	1



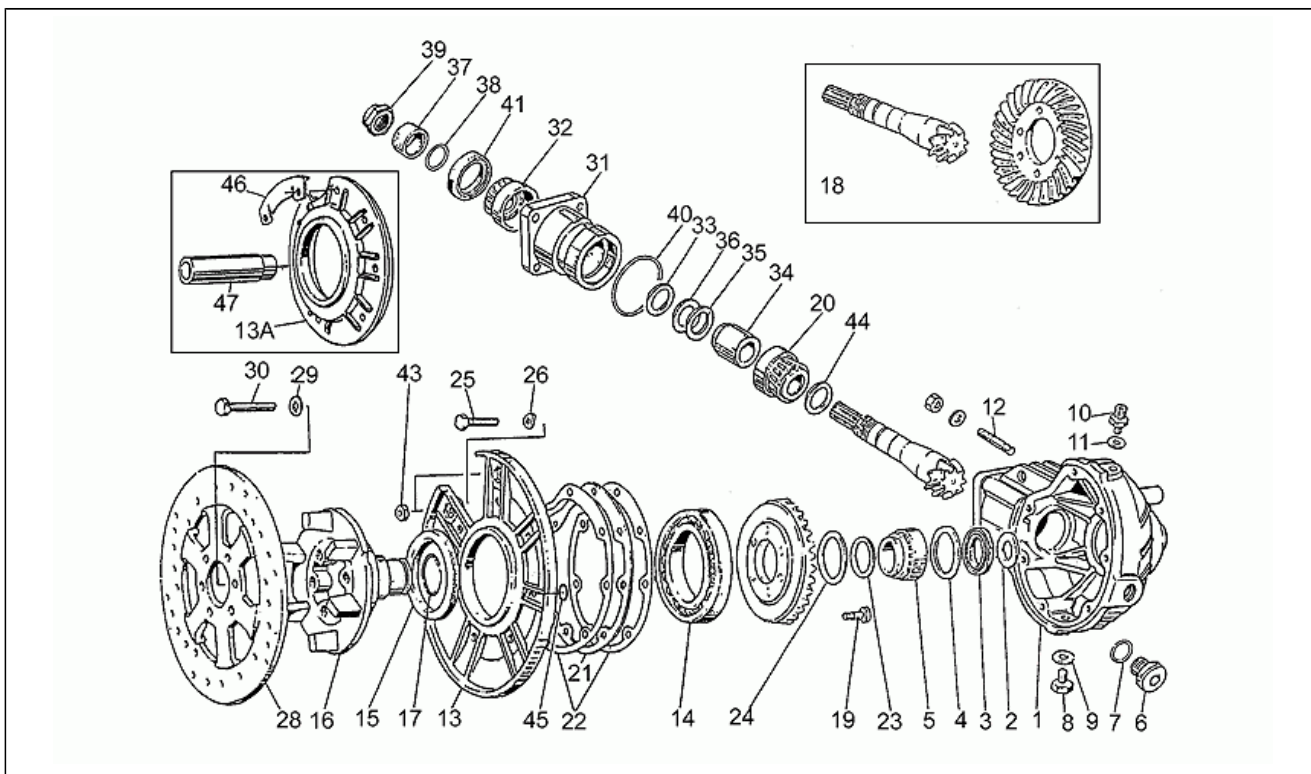
Pos.	Code	Description	Q.ty	Variants
1	GU23100211	Serbatoio carburante	1	Colore:Nero art decò 533[n]
1	GU23100212	Serbatoio carburante	1	Colore:Bianco perlato 435[b]
1	GU311002601	Serbatoio carburante	1	Colore:Grezzo[gr]
2	GU30103960	Tappo serbatoio benz.	1	
3	GU23105370	Rubinetto benz.sx	1	
4	GU23105470	Rubinetto benz.dx	1	
5	GU00823956080	Tubo in gomma 12,5X7,8 5/16"	1	Specifiche Tecniche:Seconda serie[2A]
5	GU29106500	Tubo benzina	1	Specifiche Tecniche:Prima serie[1A]
6	GU28108410	Fascetta	4	Specifiche Tecniche:Prima serie[1A]
6	GU28157950	Fascetta clic 12,5x8	4	Specifiche Tecniche:Seconda serie[2A]
7	GU00823932085	Guarnizione	1	
8	GU19102750	Tirante	1	
9	GU234762101	Copriaccumul.dx grezzo	1	Colore:Grezzo[gr]
9	GU23996771	Fiancatina dx	1	Colore:Nero art decò 533[n]
9	GU23996772	Fiancatina dx	1	Colore:Bianco perlato 435[b]
10	GU23996871	Fiancatina sx	1	Colore:Nero art decò 533[n]
10	GU23996872	Fiancatina sx	1	Colore:Bianco perlato 435[b]
10	GU314763621	Copriaccumul.sx grezzo	1	Colore:Grezzo[gr]
11	GU23460510	Sella pilota	1	
12	GU27468720	Serratura	1	
13	GU98622214	Vite	2	
14	GU23464010	Sella passeggero	1	
15	GU23466611	Portapacchi	1	
16	GU98822420	Vite	2	
17	GU61270300	Rosetta elastica 8x15x0,3	4	
18	GU92630508	Dado	2	
19	GU92602208	Dado M8X1,25	2	
20	GU95000208	Rosetta	2	

Assembly	TELAIO
Code	33.03
Description	Carrozzeria
Revision	1



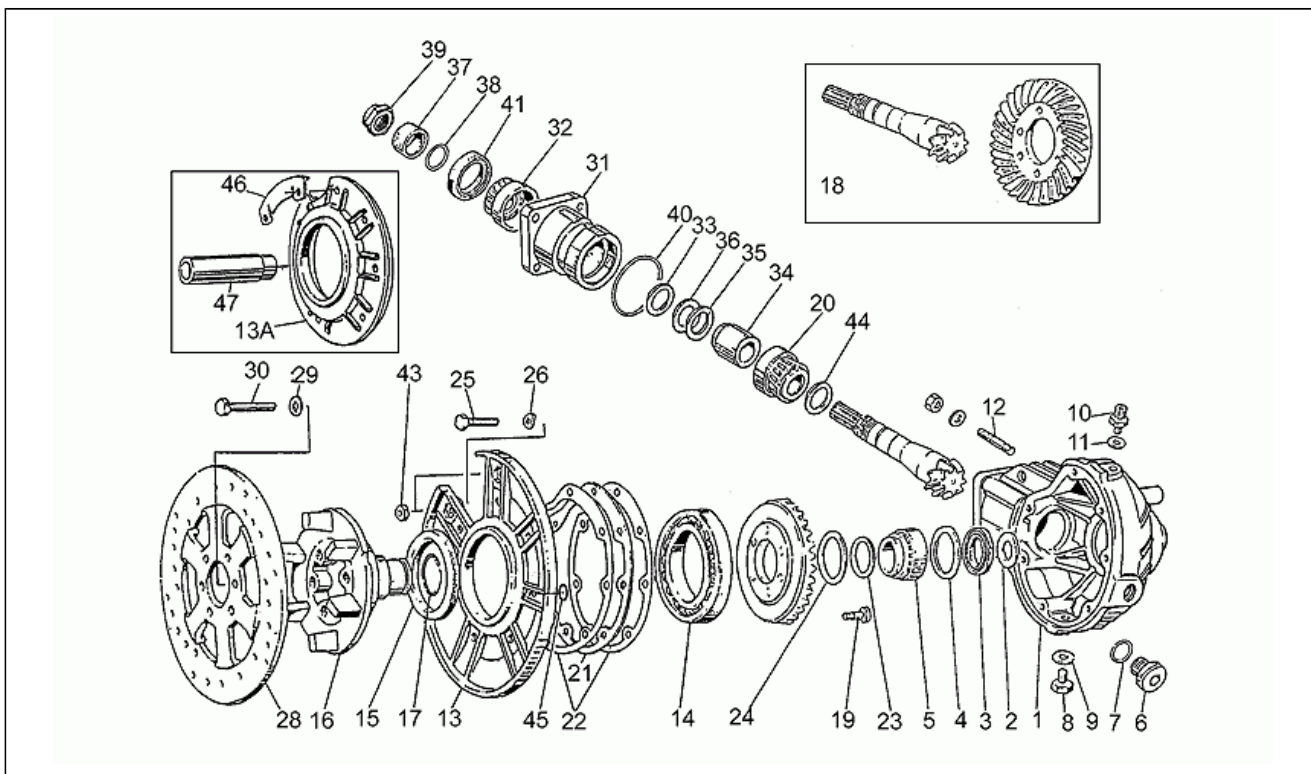
Pos.	Code	Description	Q.ty	Variants
21	GU23923310	Decalco-serie	1	Specifiche Tecniche:Decalco oro[D1]
23	GU23464811	Tampone	1	
24	GU99220316	Vite autof.	2	

Assembly	TELAIO
Code	33.04
Description	Coppia conica
Revision	1



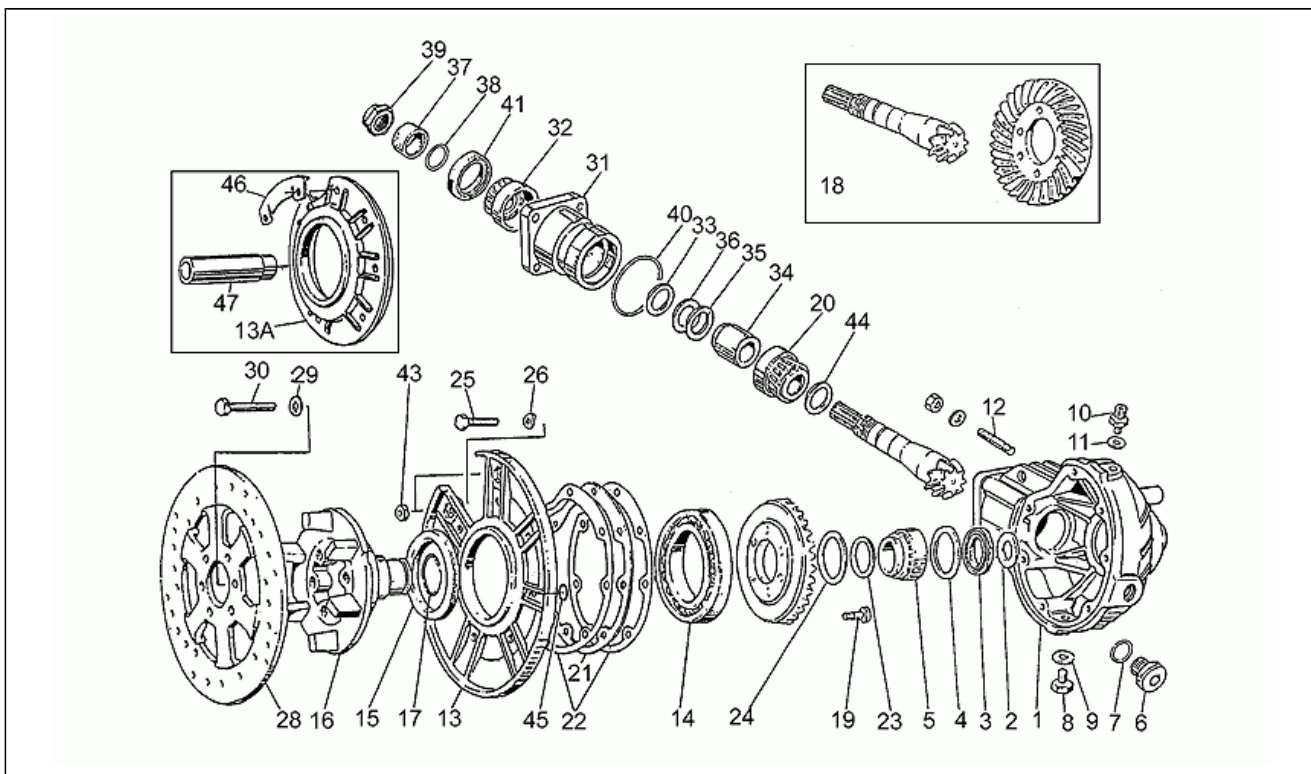
Pos.	Code	Description	Q.ty	Variants
1	GU31350331	Coperchio trasmissione	1	
2	GU19351900	Rosetta di spallamento	1	
3	GU90403547	Anello di tenuta 35x47x7	1	
4	GU19351100	Rosetta di spallamento	1	
5	GU92252235	Cuscinetto a rulli 35x50x17	1	
6	GU31351200	Tappo alimentazione olio	1	
7	GU90706203	Anello OR 20,24x2,62	1	
8	GU31003766	Tappo scarico olio	1	
8	GU95980213	Tappo olio	1	
9	GU10528900	Guarnizione in alluminio	1	
10	GU31206500	Tappo sfiato	1	
11	GU10528900	Guarnizione in alluminio	1	
12	GU96508055	Prigioniero	4	
13	GU19350421	Coperchio	1	
13	GU27350410	Coperchio	1	Specifiche Tecniche:Ruota post.raggi[RR]
14	GU92201070	Cuscinetto a sfere 70x110x13	1	
15	GU90407590	Anello di tenuta 75x90x8	1	
16	GU19351401	Perno	1	
17	GU90353030	Anello di fermo	1	
18	GU19354621	Coppia conica Z=8/31	1	
19	GU19356320	Vite	6	
20	GU92249223	Cuscinetto a rulli conici	1	
21	GU19355400	Spessore 0,8 mm	1	
21	GU19355402	Spessore 0,9 mm	1	
21	GU19355404	Spessore 1 mm	1	
21	GU19355406	Spessore 1,1 mm	1	
21	GU19355408	Spessore 1,2 mm	1	
21	GU19355410	Spessore 1,3 mm	1	

Assembly	TELAIO
Code	33.04
Description	Coppia conica
Revision	1



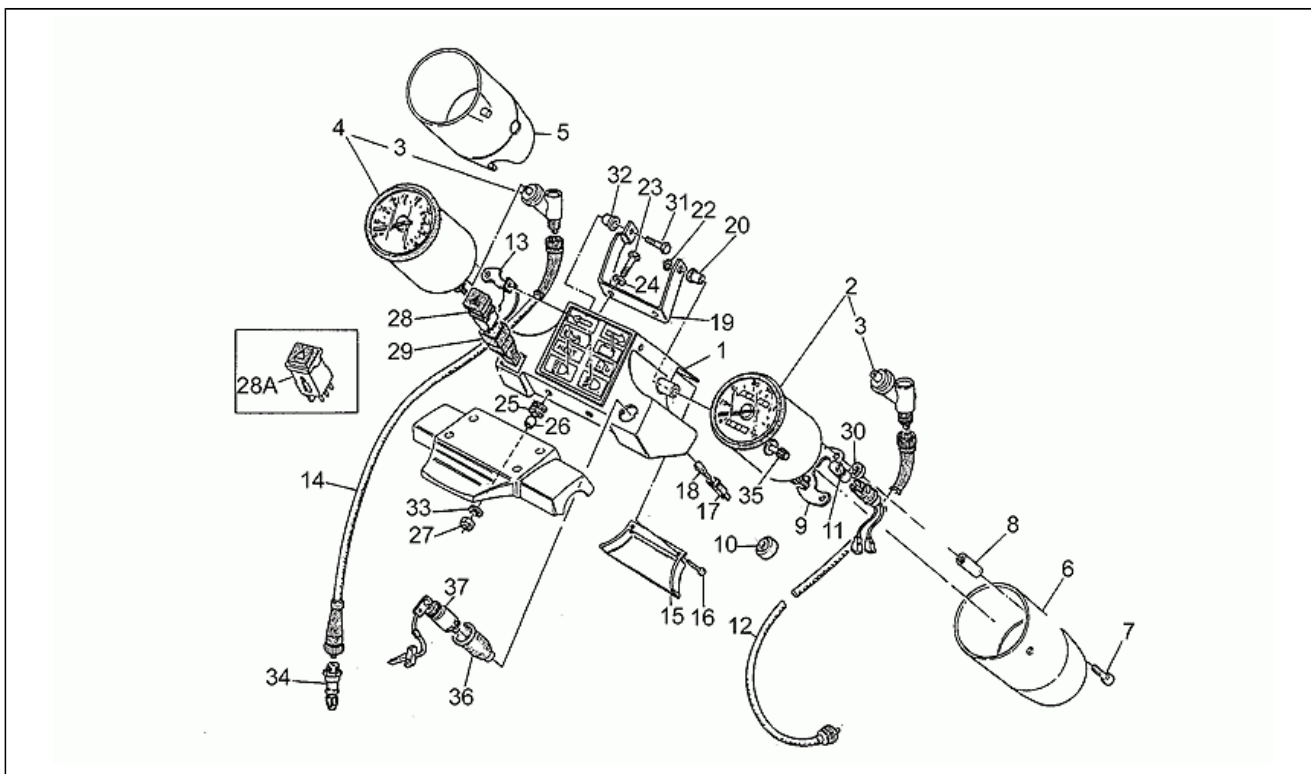
Pos.	Code	Description	Q.ty	Variants
21	GU19355411	Spessore 1,4 mm	1	
21	GU19355412	Spessore 1,5 mm	1	
21	GU19355413	Spessore 1,6 mm	1	
22	GU19350700	Guarnizione	2	
23	GU19352300	Rosetta di rasamento	1	
24	GU19353500	Rosetta di rasamento	1	
25	GU19357660	Vite M8X25	7	
26	GU61270300	Rosetta elastica 8x15x0,3	7	
28	GU19635736	Disco freno post.	1	
29	GU14615901	Rosetta 8,4X13X0,8	6	
30	GU98054418	Vite	6	
31	GU19352401	Custodia cuscinetto	1	
32	GU92249220	Cuscinetto a rulli 20x47x14	1	
33	GU19355300	Spessore 1 mm	2	
33	GU19355301	Spessore 1,1 mm	2	
33	GU19355302	Spessore 1,2 mm	2	
33	GU19355303	Spessore 1,3 mm	2	
33	GU19355304	Spessore 1,4 mm	2	
33	GU19355305	Spessore 1,5 mm	2	
33	GU19355306	Spessore 1,6 mm	2	
33	GU19355307	Spessore 1,7 mm	2	
33	GU19355308	Spessore 1,8 mm	2	
33	GU19355309	Spessore 1,9 mm	2	
34	GU19355121	Distanziale	1	
35	GU19355200	Rosetta regolaz. 0,1 mm	1	
36	GU19355202	Rosetta regolaz. 0,15 mm	1	
37	GU19356801	Distanziale	1	
38	GU90706188	Anello di tenuta 18,77X1,78	1	

Assembly	TELAIO
Code	33.04
Description	Coppia conica
Revision	1



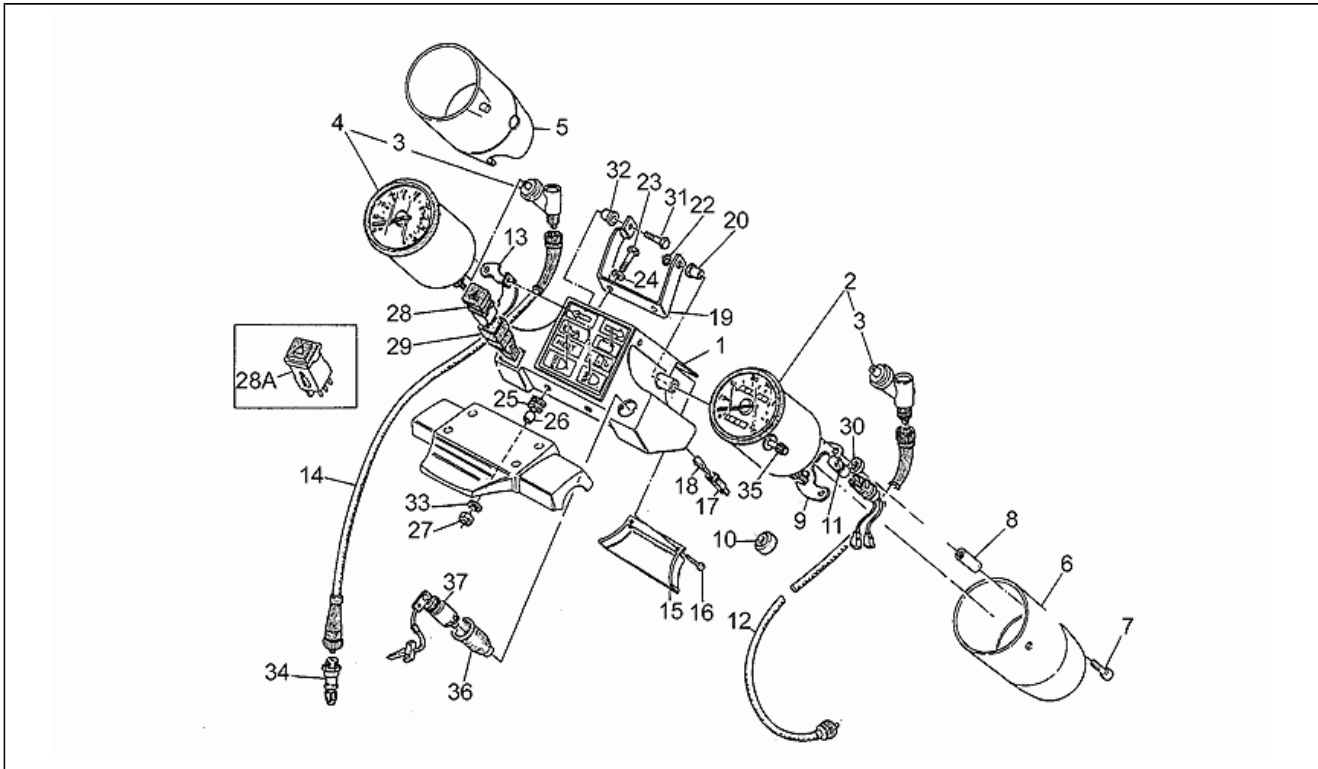
Pos.	Code	Description	Q.ty	Variants
39	GU19356700	Dado	1	
40	GU90706552	Anello di tenuta	1	
41	GU90403247	Anello di tenuta	1	
43	GU92602208	Dado M8X1,25	2	
44	GU19355320	Spessore 1 mm	1	
44	GU19355321	Spessore 1,1 mm	1	
44	GU19355322	Spessore 1,2 mm	1	
44	GU19355323	Spessore 1,3 mm	1	
44	GU19355324	Spessore 1,4 mm	1	
44	GU19355325	Spessore 1,5 mm	1	
44	GU19355326	Spessore 1,6 mm	1	
44	GU19355327	Spessore 1,7 mm	1	
44	GU19355328	Spessore 1,8 mm	1	
44	GU19355329	Spessore 1,9 mm	1	
45	GU90706076	Anello OR	2	
46	GU27357411	Piastrina	1	
47	GU27634110	Distanziale	2	

Assembly	TELAIO
Code	33.05
Description	Cruscotto
Revision	1



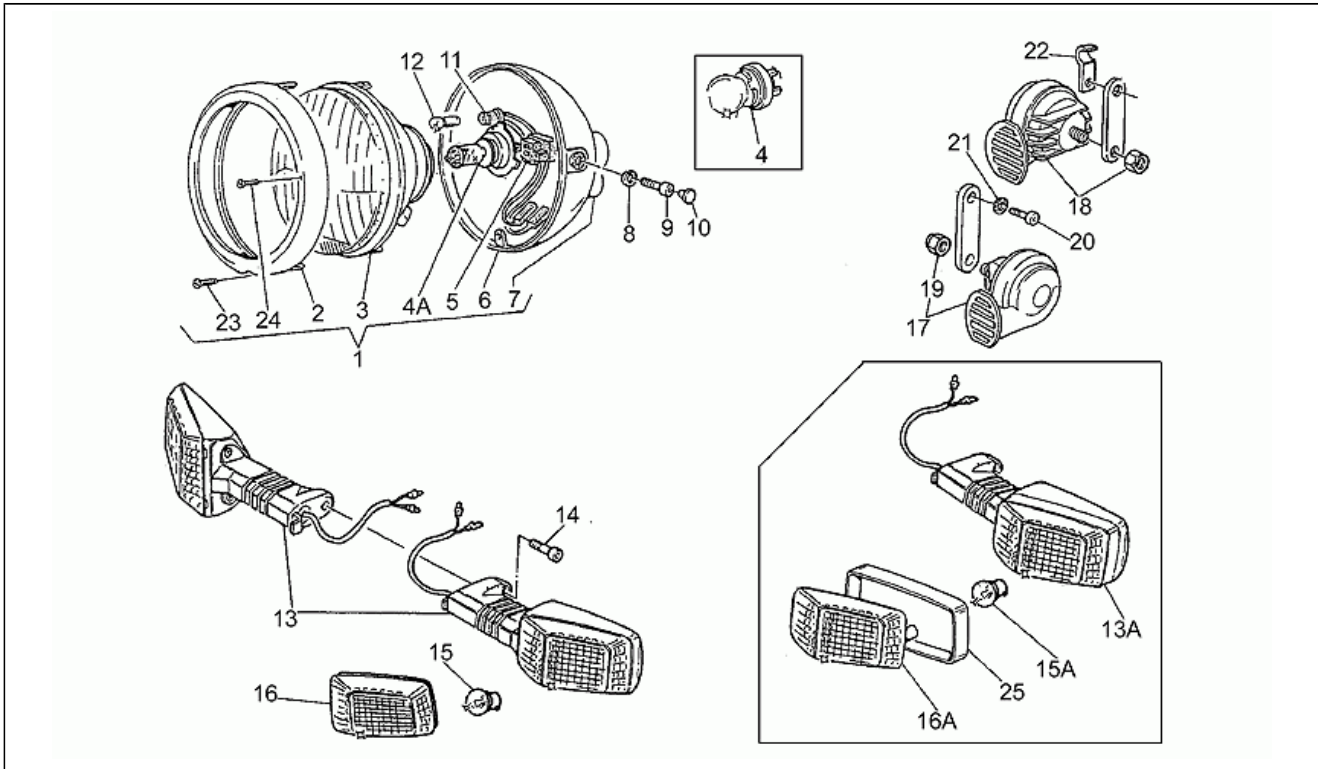
Pos.	Code	Description	Q.ty	Variants
1	GU23760010	Scatola cruscotto completa	1	
2	GU23761570	Tachimetro	1	
2	GU23762470	Tachimetro	1	Paese:Gran Bretagna[UK]
3	GU23768310	Rinvio 60°	2	
4	GU23767270	Contagiri	1	
5	GU23761910	Contenitore contagiri	1	
6	GU23762010	Contenitore tachimetro	1	
7	GU98622214	Vite	2	
8	GU23765110	Distanziale	2	
9	GU23764910	Piastra	1	
10	GU17765560	Gommino	4	
11	GU93450120	Lampada 12v-3w	2	
12	GU27760410	Trasmissione tachimetro	1	
13	GU23766510	Piastra	1	
14	GU23768110	Trasmissione contagiri	1	
15	GU29765250	Coperchio inf.	1	
16	GU99210210	Vite autof.	2	
17	GU19768680	Portalampada	8	
18	GU93450140	Lampada 12V-1,2W	8	
19	GU23764110	Cavallotto	1	
20	GU23766911	Distanziale	1	
22	GU95004205	Rosetta	2	
23	GU98054320	Vite TE	2	
24	GU95004206	Rosetta 6,15x11x0,8	2	
25	GU91551085	Gommino	2	
26	GU91180607	Distanziale	2	
27	GU92630106	Dado M6x1	2	
28	GU28745760	Interruttore 4 frecce	1	Specifiche Tecniche:Prima serie[1A]

Assembly	TELAIO
Code	33.05
Description	Cruscotto
Revision	1



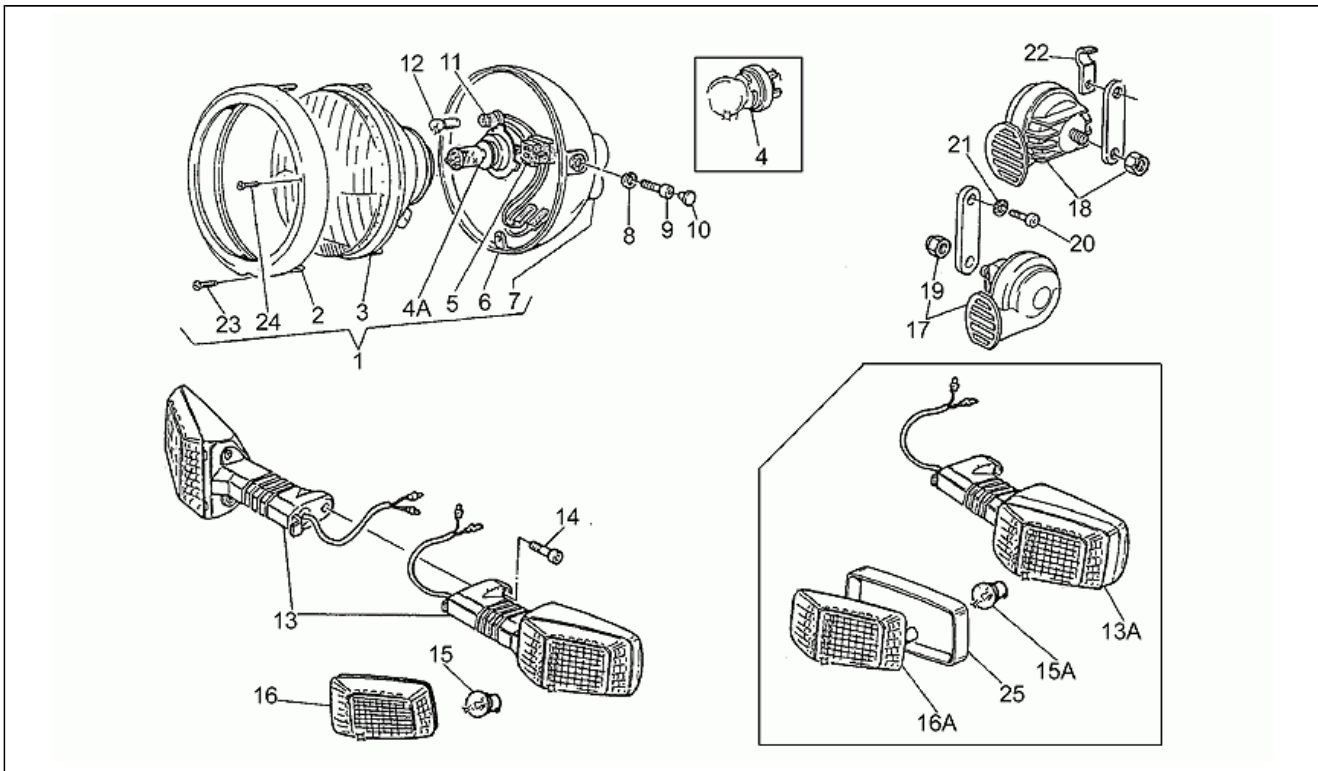
Pos.	Code	Description	Q.ty	Variants
28	GU28745761	Interruttore 4 frecce	1	Specifiche Tecniche:Seconda serie[2A]
29	GU35755780	Protezione in gomma	1	
30	GU93110060	Gommino	4	
31	GU98054230	Vite	2	
32	GU23766910	Distanziale	1	
33	GU61013800	Rosetta speciale	2	
34	GU14769200	Rinvio Z=14	1	
35	GU19762810	Pulsante azzeratore	1	
36	GU19741336	Ghiera	1	
37	GU31735360	Blocchetto avviamento	1	

Assembly	TELAIO
Code	33.06
Description	Fanale ant.-claxon
Revision	1



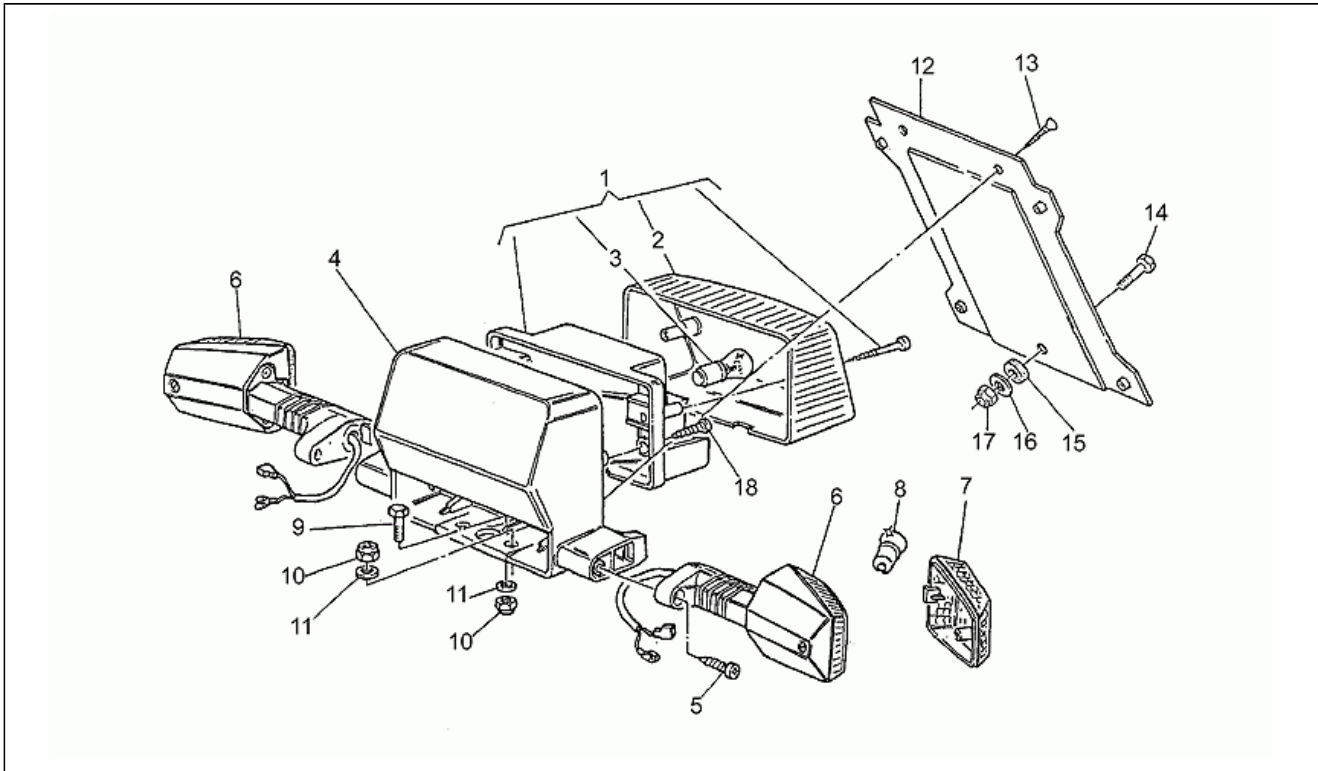
Pos.	Code	Description	Q.ty	Variants
1	GU28740533	Fanale anteriore	1	
1	GU31740520	Fanale ant.	1	Paese:Gran Bretagna[UK]
2	GU19740454	Cornice fanale	1	
3	GU18740435	Gruppo ottico	1	Specifiche Tecniche:Seconda serie[2A]
3	GU19740455	Gruppo ottico	1	Specifiche Tecniche:Prima serie[1A]
3	GU31740420	Gruppo ottico	1	Paese:Gran Bretagna[UK]
4	GU93450231	Lampada 12V 45/40W	1	Specifiche Tecniche:Prima serie[1A]
4	GU93450232	Lampada 12V-55/60W	1	
5	GU14756255	Porta lampada	1	
6	GU23740418	Corpo fanale ant.	1	
7	GU19740404	Tappo calotta post.	1	
8	GU95004210	Rosetta 10,2x18x2	2	
9	GU98622535	Vite	2	
10	GU23943510	Tappo cromato	2	
11	GU17740405	Porta lampada	1	
12	GU93450119	Lampada 12V-4W	1	
13	GU23750610	Indicatore dire.	2	Paese:Germania[D]
13	GU23750670	Indicatore dire.	2	
14	GU98612320	Vite	2	
15	GU93450127	Lampada 12V-10W	2	
15	GU93450129	Lampada 12V-10W	2	Paese:Germania[D]
16	GU23753710	Vetro indicatore dire.	2	
16	GU23753770	Vetro indicatore dire.	2	Paese:Germania[D]
17	GU29743752	Tromba	1	
18	GU29743753	Tromba	1	
19	GU92602206	Dado	2	
20	GU98822314	Vite	2	
21	GU95000206	Rosetta	2	

Assembly	TELAIO
Code	33.06
Description	Fanale ant.-claxon
Revision	1



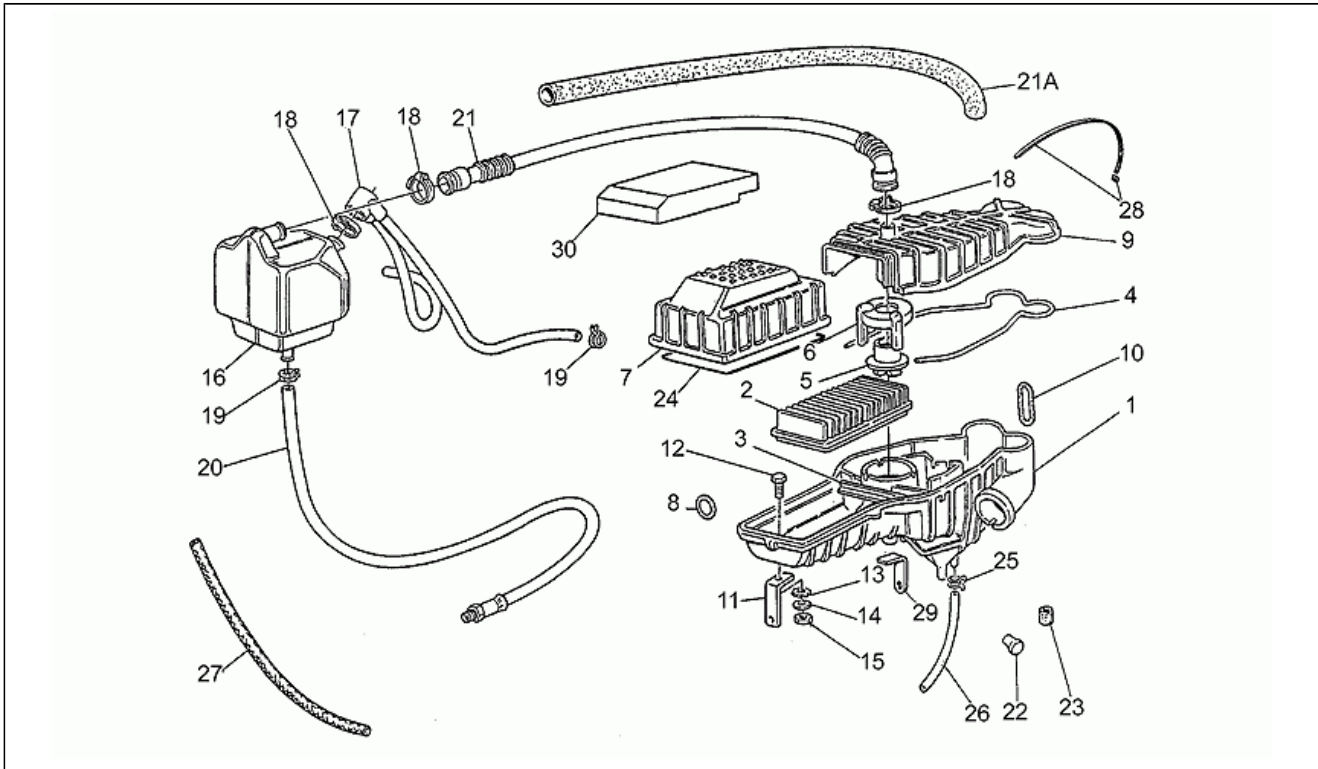
Pos.	Code	Description	Q.ty	Variants
22	GU93301313	Cavallotto	1	
23	GU19740302	Vite	1	
24	GU19740303	Vite registro	1	
25	GU23530510	Distanziale	2	Paese:Germania[D]

Assembly	TELAIO
Code	33.07
Description	Fanale posteriore
Revision	1



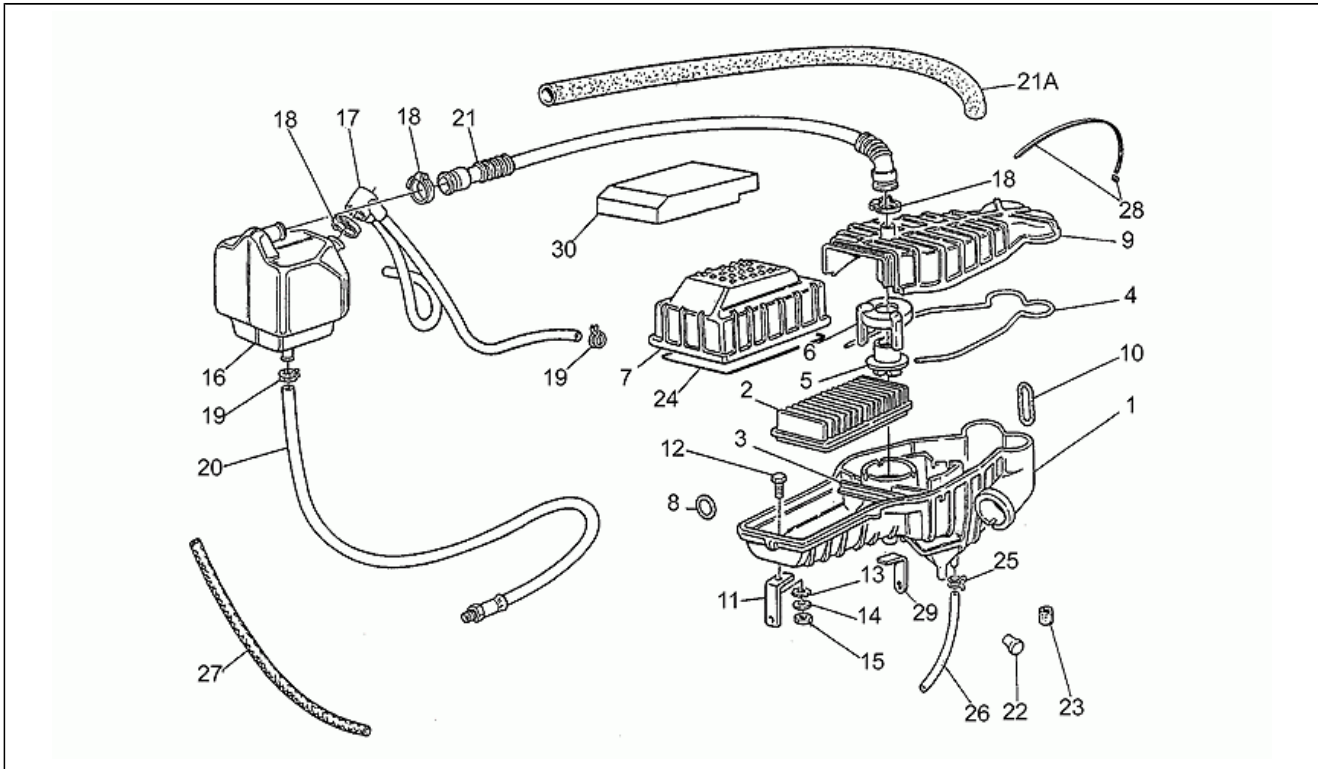
Pos.	Code	Description	Q.ty	Variants
1	GU23740910	Fanale posteriore	1	
2	GU23741710	Vetro fanale post.	1	
3	GU93450224	Lampada 12V/5-21W	1	
4	GU23758510	Supporto	1	
5	GU99210520	Vite autof.	2	
6	GU23750670	Indicatore dire.	2	Paese:Germania[D]
7	GU23753710	Vetro indicatore dire.	2	Paese:Germania[D]
8	GU93450127	Lampada 12V-10W	2	Paese:Germania[D]
9	GU98054316	Vite TE	1	
10	GU92630106	Dado M6x1	3	
11	GU95000206	Rosetta	3	
12	GU23474610	Piastra portatarga	1	
13	GU99200413	Vite autof.	2	
14	GU98054316	Vite TE	1	
15	GU93110060	Gommino	1	
16	GU95100118	Rosetta 6,2X18X1	1	
17	GU92630106	Dado M6x1	1	
18	GU99210322	Vite autof.	2	

Assembly	TELAIO
Code	33.08
Description	Filtro aria
Revision	1



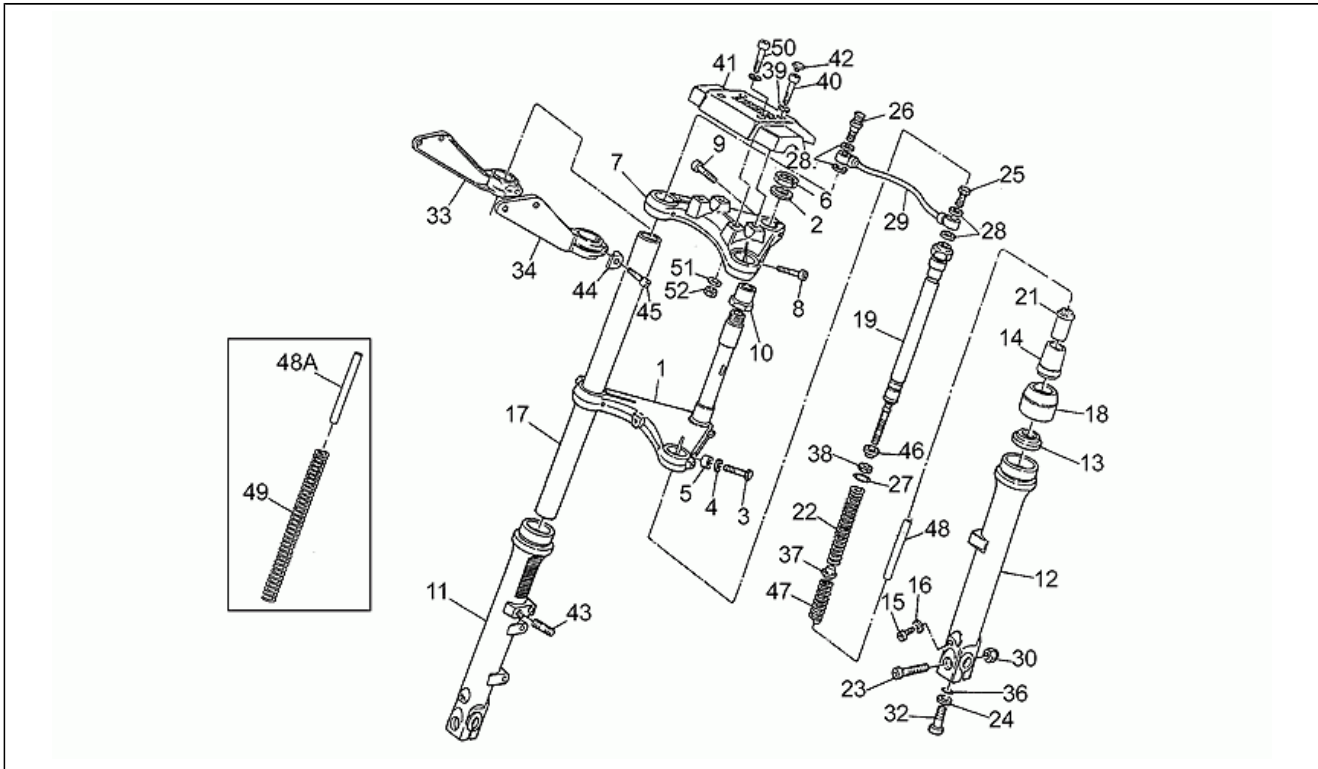
Pos.	Code	Description	Q.ty	Variants
1	GU19114060	Parte inf.cassa filtro	1	
2	GU28113650	Filtro aria	1	
3	GU19112960	Staffa per cartuccia	1	
4	GU19113960	Guarnizione	1	
5	GU19111060	Paratia	1	
6	GU19111160	Coperchio	1	
7	GU19113760	Coperchio filtro	1	
8	GU31110715	Molla corta	3	
9	GU19113460	Parte sup.cassa filtro	1	
10	GU31110815	Molla lunga	3	
11	GU31114165	Supporto filtro	1	
12	GU98054214	Vite	1	
13	GU95021105	Rosetta dentellata	1	
14	GU95000205	Rosetta	1	
15	GU92630105	Dado	1	
16	GU27153460	Scatola espansione	1	
17	GU23159670	Tubo sfiato teste	1	
18	GU93305018	Fascetta	3	
19	GU61108400	Fascetta	3	
20	GU27159360	Tubo recupero olio	1	
21	GU27157420	Tubo riciclo	1	Specifiche Tecniche:Prima serie[1A]
21	GU30157430	Tubo riciclo	1	Specifiche Tecniche:Seconda serie[2A]
22	GU19433000	Gommino di chiusura	1	
23	GU14423800	Gommino	1	
24	GU27113985	Guarnizione	1	
25	GU61108500	Fascetta D9	1	
26	GU00823942090	Tubo sfiato	1	
27	GU00823923140	Guaina termica	1	

Assembly	TELAIO
Code	33.08
Description	Filtro aria
Revision	1



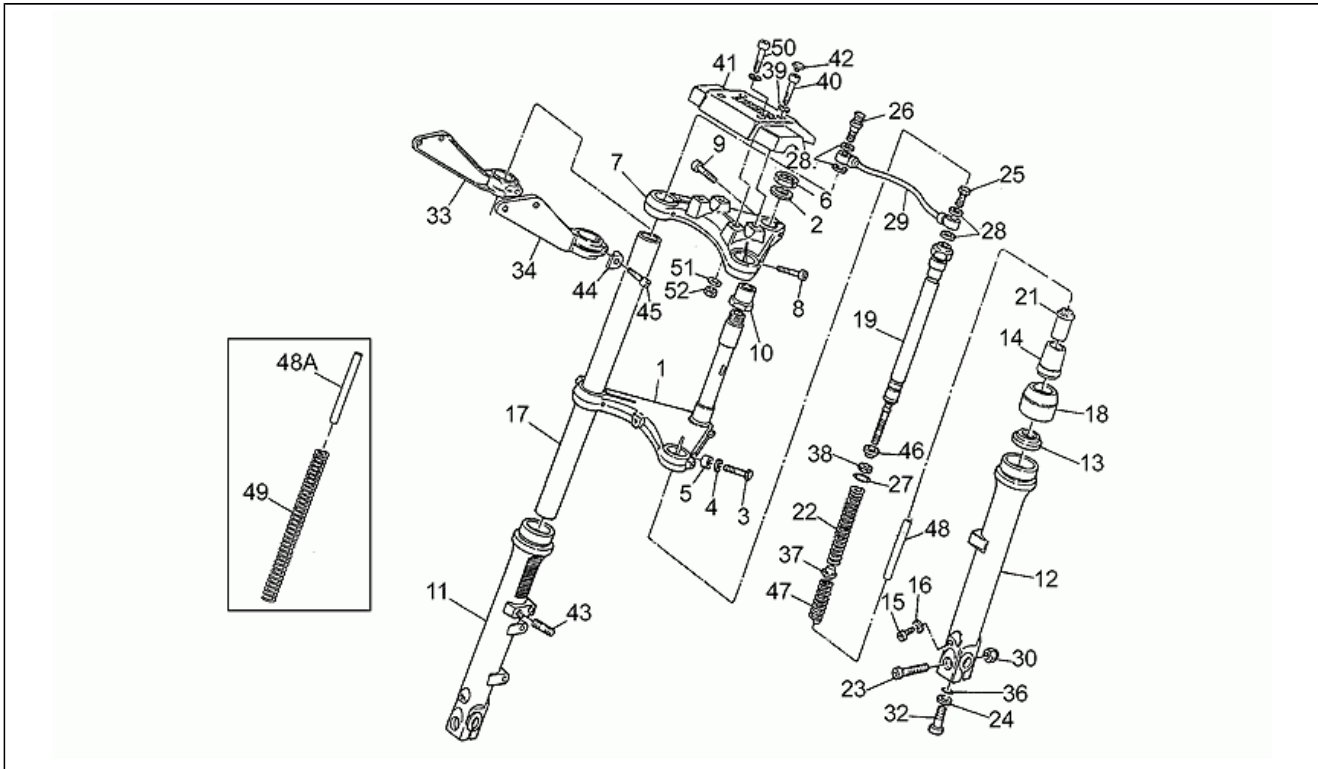
Pos.	Code	Description	Q.ty	Variants
28	GU27609685	Fascetta	1	
29	GU31112965	Staffa supporto filtro	1	
30	GU27111271	Cuffia	1	
30	GU27111272	Cuffia	1	Anno: 1986[G] Paese: Germania[D] Specifiche Tecniche: Versione 20Kw[20KW]

Assembly	TELAIO
Code	33.09
Description	Forcella anteriore
Revision	1



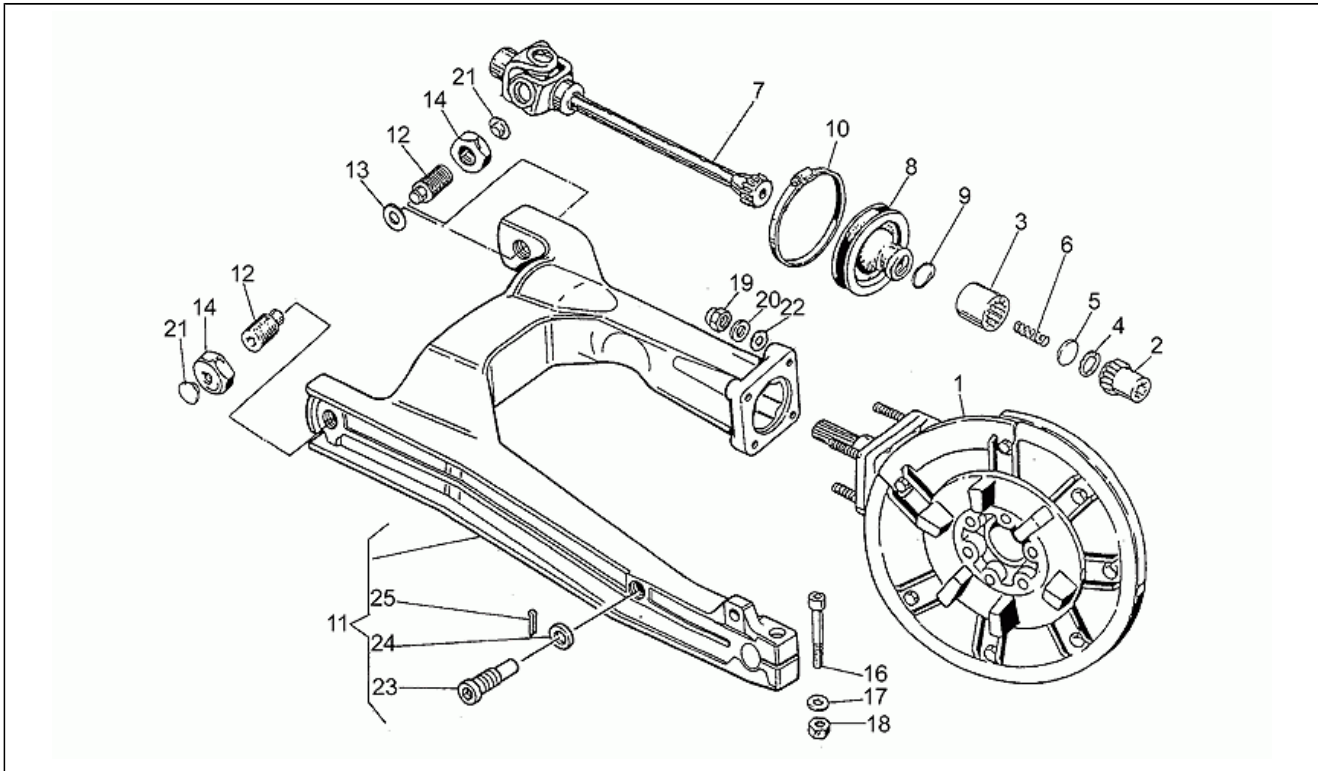
Pos.	Code	Description	Q.ty	Variants
1	GU23494070	Base con canotto	1	
2	GU18513560	Rosetta tappo canotto	1	
3	GU98072555	Vite TE	1	
4	GU95007210	Rosetta	2	
5	GU91181016	Distanziale	2	
6	GU18513460	Tappo canotto	1	
7	GU28493100	Piastra sup.forcella	1	Specifiche Tecniche: Prima serie[1A]
7	GU31493140	Piastra sup.forcella POLIZIA	1	Specifiche Tecniche: Seconda serie[2A]
8	GU98610540	Vite	2	
9	GU98612535	Vite	1	
10	GU18516660	Bussola fermasterzo	1	
11	GU23522570	Fodero DX	1	
12	GU23522670	Fodero SX	1	
13	GU90403857	Paraolio	2	
14	GU20527620	Bussola	2	
15	GU98622320	Vite	2	
16	GU95100116	Rosetta 6,25x10x1,5	4	
17	GU23525470	Stelo	2	
18	GU28524500	Parapolvere	2	
19	GU23526470	Ammortizzatore	2	
21	GU28527540	Tampone fine corsa	2	
22	GU23526910	Molla	2	
23	GU98620540	Vite	2	
24	GU98622530	Vite	2	
25	GU28556450	Vite forata	1	
26	GU28556250	Valvola aria	1	
27	GU90706282	Anello di tenuta	2	
28	GU28556350	Rosetta in rame	4	

Assembly	TELAIO
Code	33.09
Description	Forcella anteriore
Revision	1



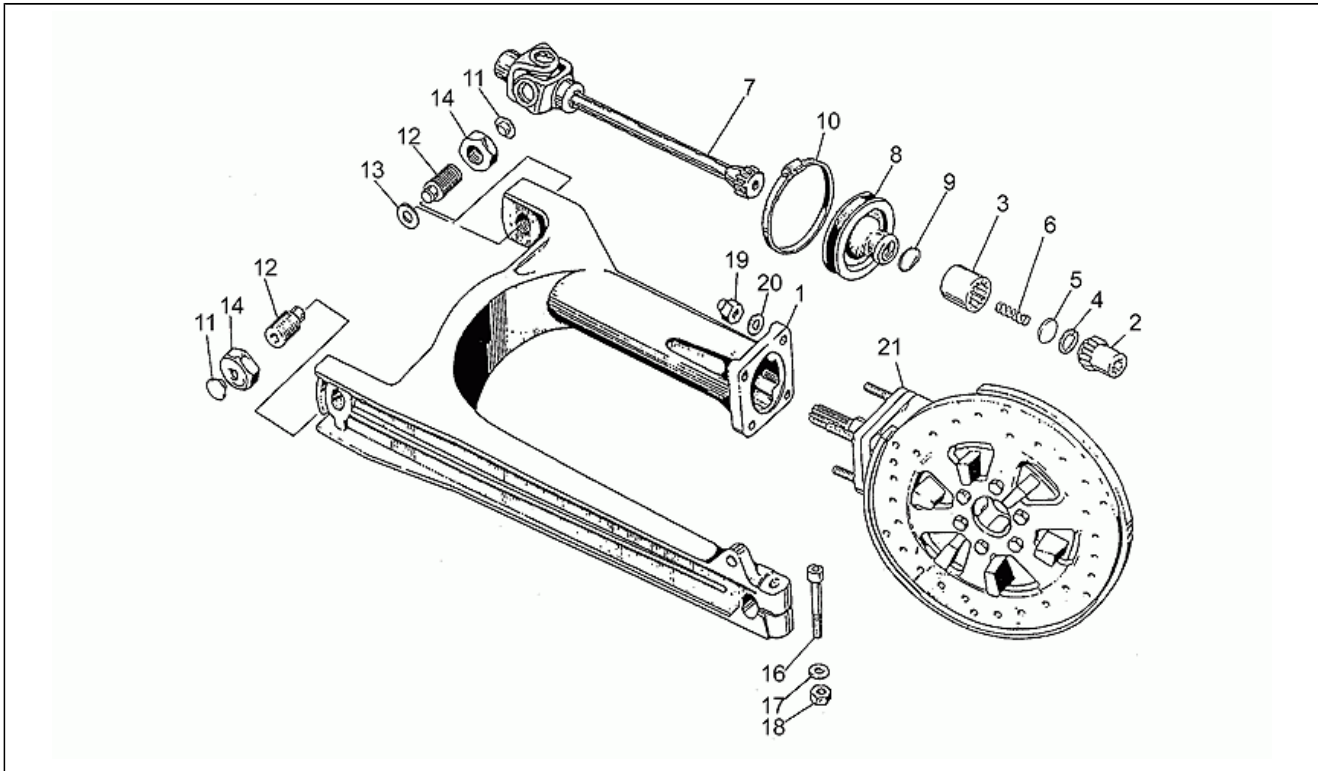
Pos.	Code	Description	Q.ty	Variants
29	GU19529660	Tubo ammortizzatore ant.	1	
30	GU92781100	Dado	2	
32	GU27499120	Rondella piana	2	
33	GU23496170	Supporto dx	1	
34	GU23496270	Supporto sx	1	
36	GU90706094	Anello OR 9x2	2	
37	GU23527910	Distanziale	2	
38	GU92602308	Dado	2	
39	GU14615901	Rosetta 8,4X13X0,8	4	
40	GU98620435	Vite M8X35	4	
41	GU23500210	Piastra fissaggio manubrio	1	
42	GU23943410	Tappo cromato	4	
43	GU96508021	Prigioniero	4	
44	GU23497910	Distanziale	2	
45	GU98622425	Vite TCEI M8X25	2	
46	GU28526540	Scodellino	2	
47	GU23526610	Contromolla	2	
48	GU23526370	Tubo antisfregamento	2	
48	GU27526320	Tubo antisfregamento	2	Specifiche Tecniche:Forcella molla singola[FS]
49	GU27526685	Molla	2	Specifiche Tecniche:Forcella molla singola[FS]
50	GU98620485	Vite	2	Specifiche Tecniche:Prima serie[1A]
51	GU95000208	Rosetta	2	Specifiche Tecniche:Prima serie[1A]
52	GU92630508	Dado	2	Specifiche Tecniche:Prima serie[1A]

Assembly	TELAIO
Code	33.10
Description	Forcellone-ruota post.raggi
Revision	1



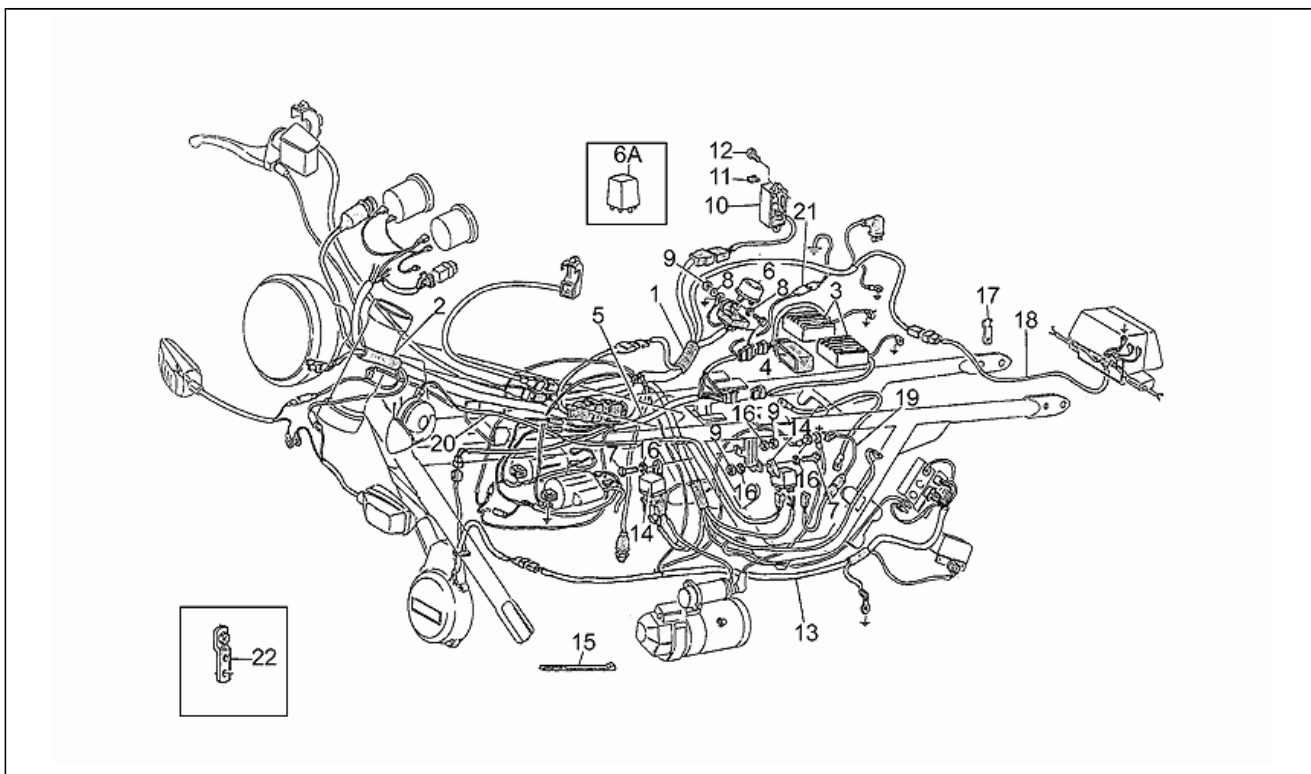
Pos.	Code	Description	Q.ty	Variants
1	GU31350231	Scatola trasmissione cpl.	1	
2	GU19327701	Manicotto	1	
3	GU19328801	Manicotto	1	
4	GU90272023	Anello Seeger	1	
5	GU19327601	Piattello	1	
6	GU94321099	Molla	1	
7	GU23328081	Giunto cardanico	1	
8	GU23548080	Collare di protezione	1	
9	GU23548180	Molla	1	
10	GU93305074	Fascetta	1	
11	GU27540211002	Forcellone	2	
12	GU19547000	Perno	2	
13	GU35214300	Spessore	1	
14	GU14547800	Dado	2	
16	GU98820545	Vite	1	
17	GU95004210	Rosetta 10,2x18x2	1	
18	GU92602210	Dado	1	
19	GU92781082	Dado cieco	4	
20	GU14615901	Rosetta 8,4X13X0,8	4	
21	GU93180105	Tappo	2	
22	GU95007208	Rosetta	4	
23	GU31544160	Perno	1	
24	GU95100523	Rosetta 14,5X20X1	1	
25	GU95500222	Copiglia	1	

Assembly	TELAIO
Code	33.11
Description	Forcellone-ruota post.lega
Revision	1



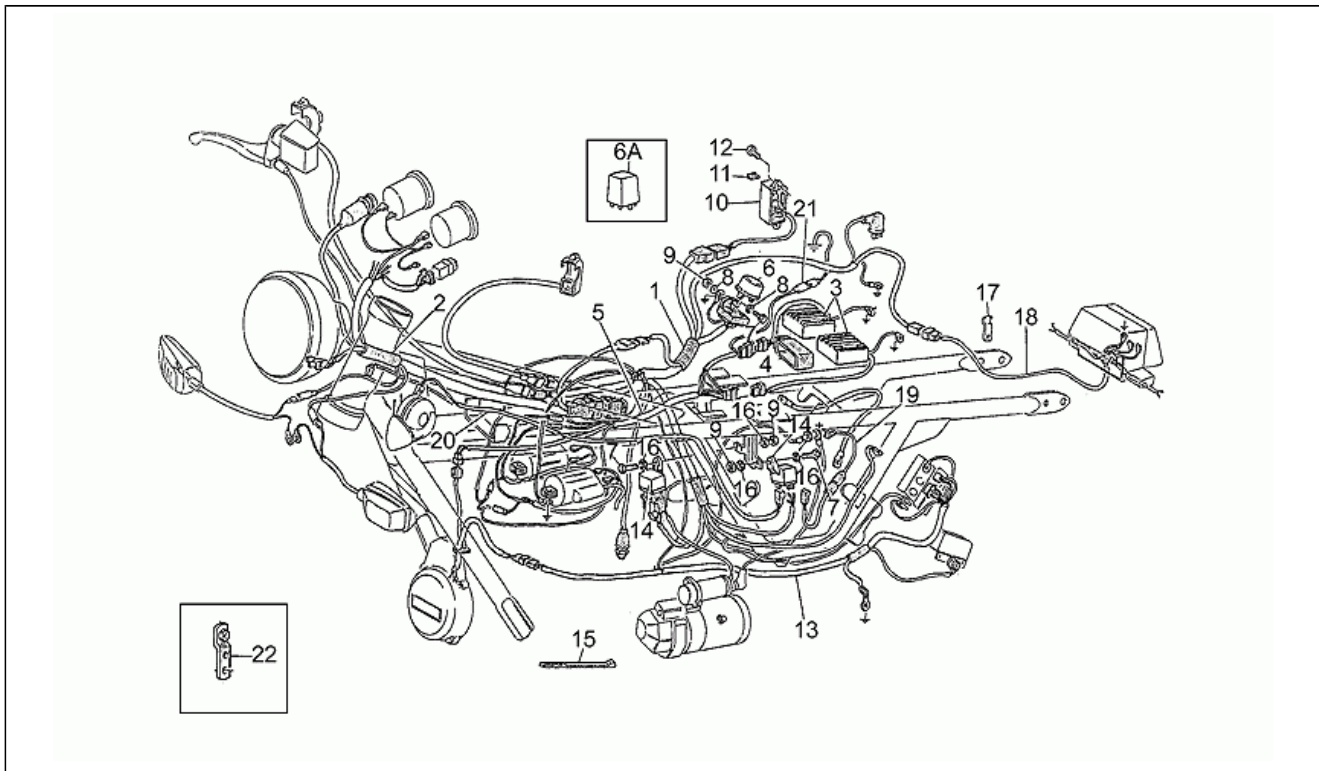
Pos.	Code	Description	Q.ty	Variants
1	GU23540210	Forcellone	1	
2	GU19327701	Manicotto	1	
3	GU19328801	Manicotto	1	
4	GU90272023	Anello Seeger	1	
5	GU19327601	Piattello	1	
6	GU94321099	Molla	1	
7	GU23328081	Giunto cardanico	1	
8	GU23548080	Collare di protezione	1	
9	GU23548180	Molla	1	
10	GU93305074	Fascetta	1	
11	GU93180105	Tappo	2	
12	GU19547000	Perno	2	
13	GU35214300	Spessore	1	
14	GU14547800	Dado	2	
16	GU98820545	Vite	1	
17	GU95004210	Rosetta 10,2x18x2	1	
18	GU92602210	Dado	1	
19	GU92781082	Dado cieco	4	
20	GU14615901	Rosetta 8,4X13X0,8	4	
21	GU31350200	Scatola trasmissione cpl.	1	

Assembly	TELAIO
Code	33.12
Description	Impianto elettrico
Revision	1



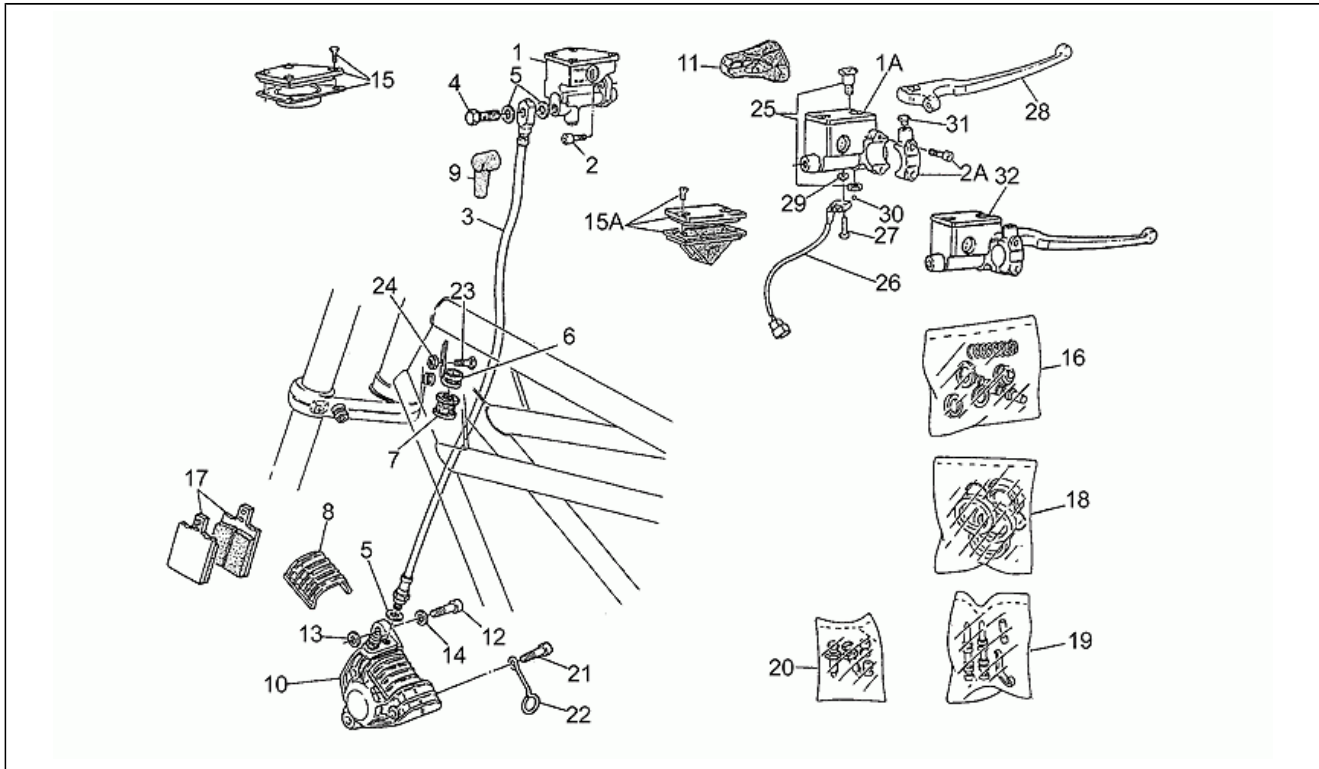
Pos.	Code	Description	Q.ty	Variants
1	GU23747170	Impianto elettrico	1	Specifiche Tecniche: Bosch[B]
1	GU23747171	Impianto elettrico	1	Specifiche Tecniche: Sapsisa[S], Fino al telaio PW14995A[T1]
1	GU31747161	Impianto elettrico	1	Specifiche Tecniche: Sapsisa[S], Dal telaio PW14996[T2]
2	GU23747210	Cablaggio cruscotto	1	Specifiche Tecniche: Prima serie[1A]
2	GU23747211	Cablaggio cruscotto	1	Specifiche Tecniche: Seconda serie[2A]
3	GU23721493	Centralina elettronica	2	
4	GU27723835	Supporto elastico	2	
5	GU31722140	Cablaggio A.T.	1	
6	GU17750520	Intermittenza	1	
6	GU28750561	Intermittenza	1	Paese: Germania[D]
7	GU98054212	Vite	3	
8	GU95000205	Rosetta	2	
9	GU92602205	Dado	3	
10	GU23743010	Gommino portafusibili	1	
11	GU28742560	Fusibile 15A	4	
12	GU98620212	Vite	2	
13	GU19725820	Cablaggio alternat.-regolatore	1	Specifiche Tecniche: Bosch[B]
13	GU23725870	Cablaggio alternat.-regolatore	1	Specifiche Tecniche: Sapsisa[S], Dal telaio PW14996[T2]
13	GU27725820	Cablaggio alternat.-regolatore	1	Specifiche Tecniche: Sapsisa[S], Fino al telaio PW14995A[T1]
14	GU19732500	Relè avviamento	2	Specifiche Tecniche: Motorino Bosch[MB]
14	GU30732510	Relè avviamento	1	Specifiche Tecniche: Motorino Valeo[MV]
15	GU14609650	Fascetta 3,6x20,6	0	
15	GU61609630	Fascetta	0	
16	GU95100059	Rosetta 5,25x14x1,5	4	
17	GU93301315	Cavallotto	1	
18	GU23747310	Cablaggio fanale post.	1	

Assembly	TELAIO
Code	33.12
Description	Impianto elettrico
Revision	1



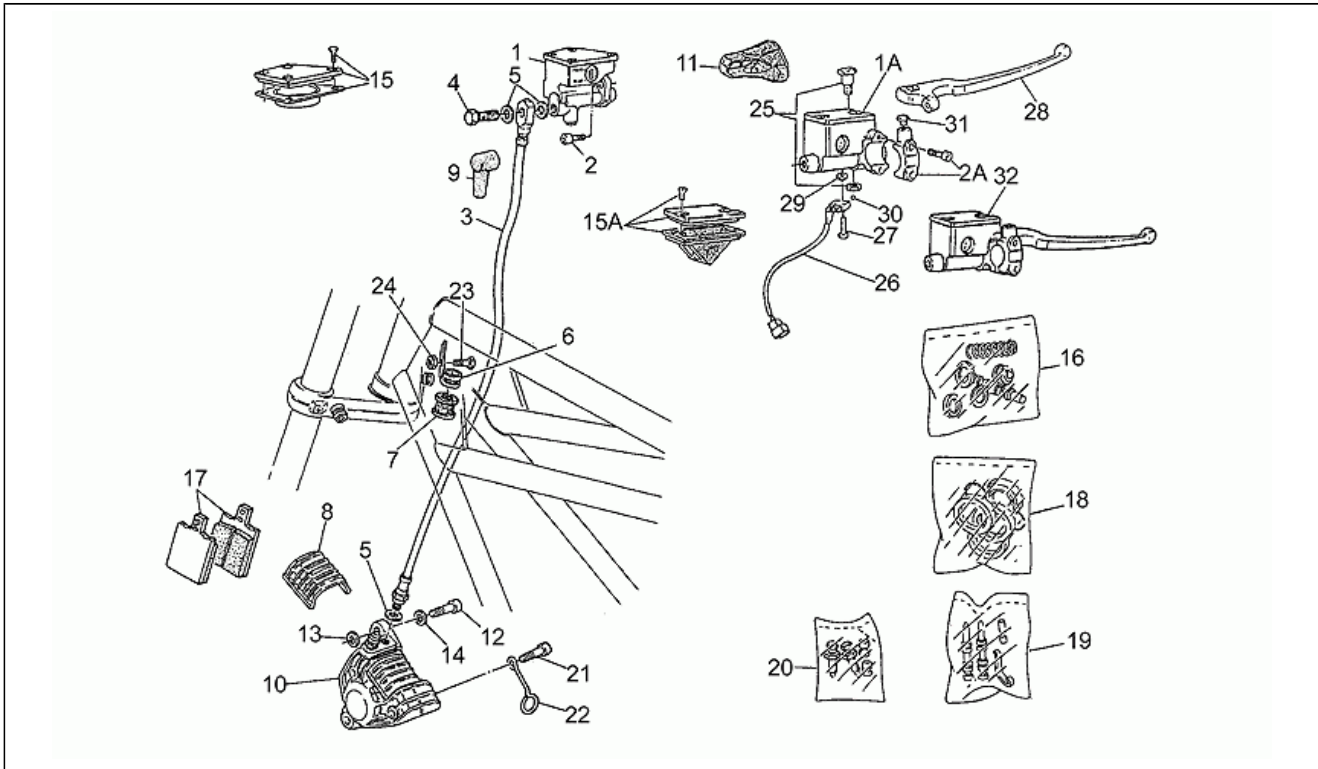
Pos.	Code	Description	Q.ty	Variants
19	GU23748210	Cavo	1	
20	GU23748310	Cavo	1	
21	GU27710435	Condensatore	1	
22	GU31584630	Piastrina	2	

Assembly	TELAIO
Code	33.13
Description	Impianto freno ant.dx
Revision	1



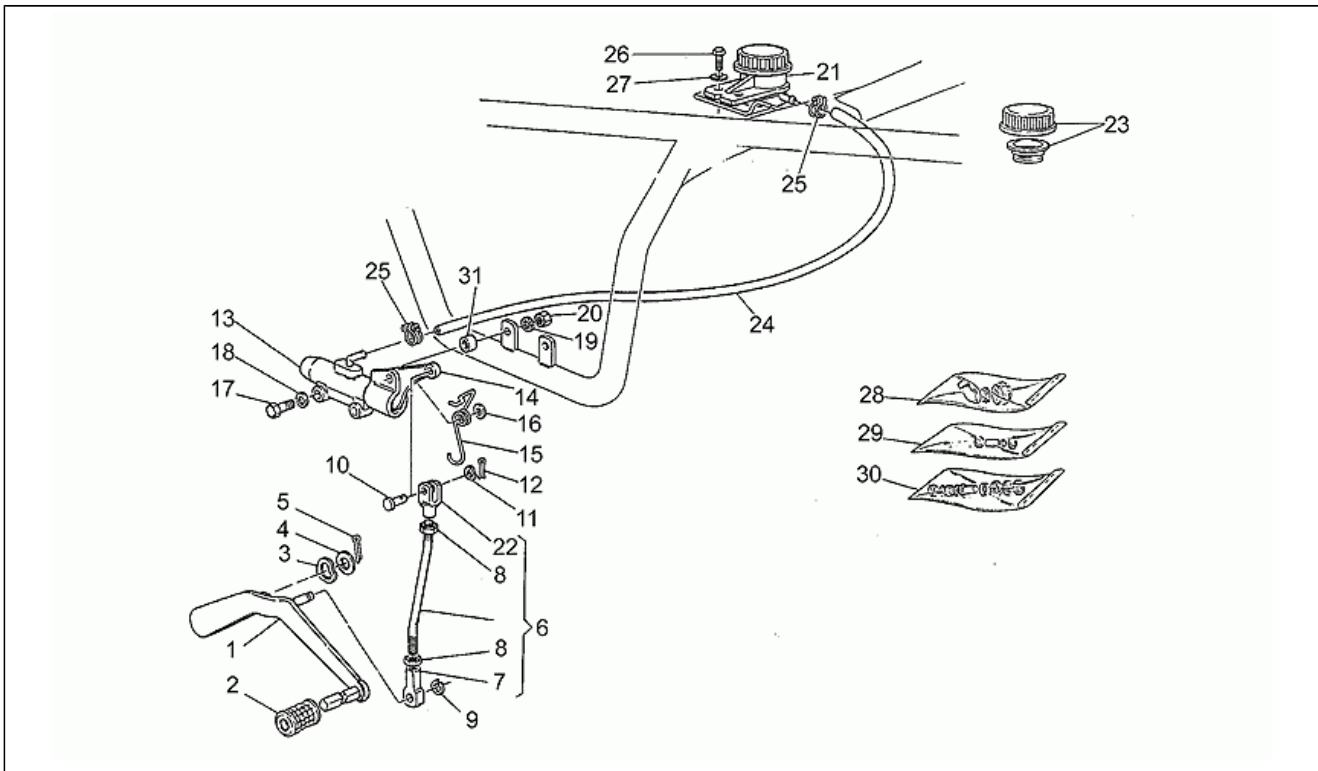
Pos.	Code	Description	Q.ty	Variants
1	GU28660278	Pompa freno ant.	1	Specifiche Tecniche: Comandi Domino-Cev[CD]
1	GU29660250	Pompa freno ant.	1	Specifiche Tecniche: Comandi Magura[CM]
2	GU27664075	Cavallotto con viti	1	Specifiche Tecniche: Comandi Domino-Cev[CD]
2	GU98812216	Vite	2	Specifiche Tecniche: Comandi Magura[CM]
3	GU23657110	Tubo olio freno ant.	1	
4	GU95990028	Vite tubo olio *	1	
5	GU25656100	Guarnizione in alluminio	3	
6	GU17658360	Fascetta	1	
7	GU17658260	Anello	1	
8	GU31654765	Coperchio pinza freno GRIMECA	1	Specifiche Tecniche: Vedi circolare tecnica n.298 del 1995[29895C]
8	GU39654700	Coperchio pinza freno BREMBO	1	
9	GU39663801	Cappuccio	1	
10	GU31652365	Pinza freno ant.sx Grimeca	1	Specifiche Tecniche: Vedi circolare tecnica n.298 del 1995[29895C]
11	GU27663615	Cappuccio	1	Specifiche Tecniche: Comandi Domino-Cev[CD]
12	GU98622422	Vite	2	
13	GU95100250	Rosetta 8,5X18X0,5	1	
13	GU95100251	Rosetta 8,5X18X0,8	1	
14	GU61270300	Rosetta elastica 8x15x0,3	2	
15	GU23661110	Coperchio	1	Specifiche Tecniche: Comandi Magura[CM]
15	GU27661115	Coperchio pompa	1	Specifiche Tecniche: Comandi Domino-Cev[CD]
16	GU23659310	Kit revisione pompa freno	1	Specifiche Tecniche: Comandi Magura[CM]
16	GU28659378	Kit revisione pompa	1	Specifiche Tecniche: Comandi Domino-Cev[CD]
17	GU27654610	Pastiglie-coppia BREMBO	1	
17	GU31654660	Pastiglie-coppia	1	
17	GU31654665	Pastiglie-coppia GRIMECA	2	Specifiche Tecniche: Vedi circolare tecnica n.298 del 1995[29895C]
18	GU39659000	Kit revisione pinza BREMBO	1	

Assembly	TELAIO
Code	33.13
Description	Impianto freno ant.dx
Revision	1



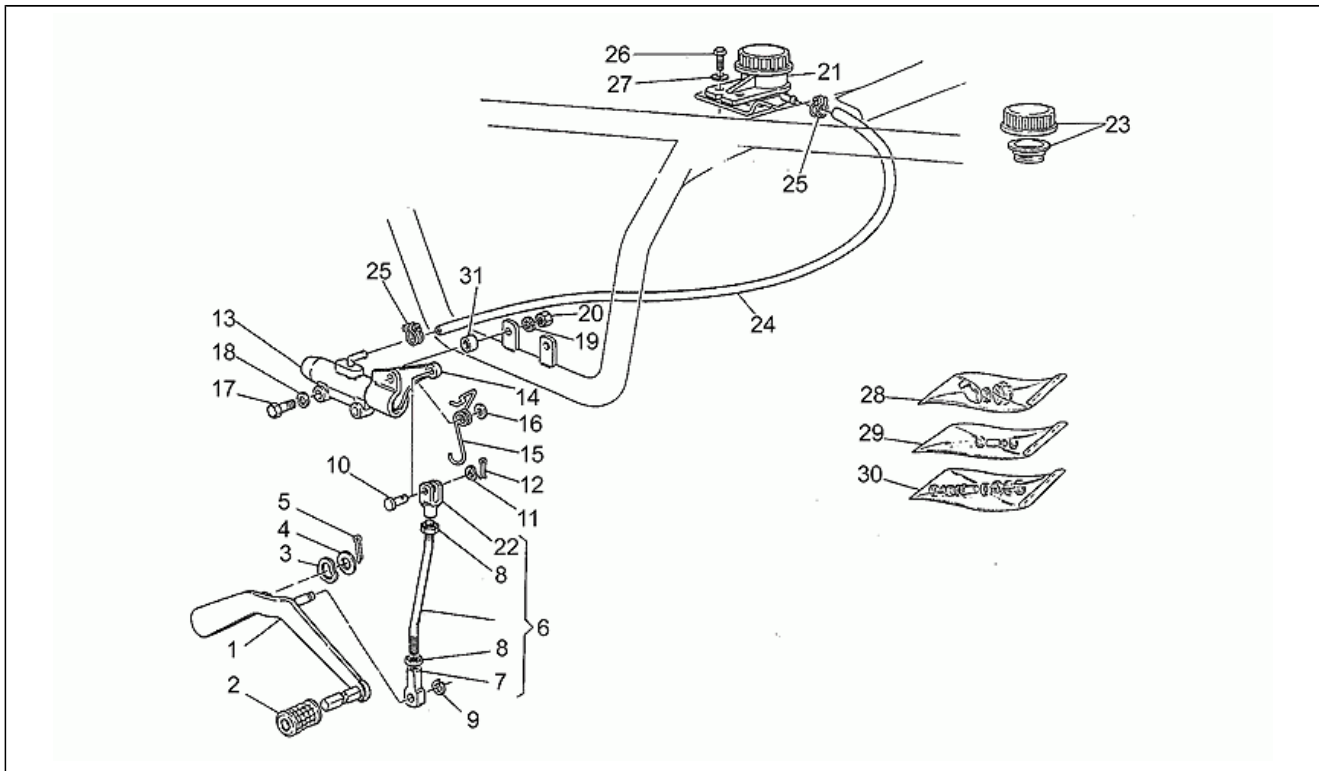
Pos.	Code	Description	Q.ty	Variants
18	GU66659031	Kit revisione pinza GRIMECA	1	Specifiche Tecniche: Vedi circolare tecnica n.298 del 1995[29895C]
19	GU31659165	Perni+molla GRIMECA	2	Specifiche Tecniche: Vedi circolare tecnica n.298 del 1995[29895C]
19	GU39659100	Perni+molla BREMBO	1	
20	GU31659260	Spurgo+cappuccio BREMBO D.10	1	
20	GU31659265	Spurgo+cappuccio GRIMECA	1	Specifiche Tecniche: Vedi circolare tecnica n.298 del 1995[29895C]
20	GU65659200	Spurgo+cappuccio BREMBO D.6	1	
21	GU98622425	Vite TCEI M8X25	1	
22	GU23655770	Guidacavo	1	
23	GU98280410	Vite	1	
24	GU92630104	Dado M4x0,7	1	
25	GU27604815	Perno	1	Specifiche Tecniche: Comandi Domino-Cev[CD]
26	GU27749815	Interruttore stop	1	Specifiche Tecniche: Comandi Domino-Cev[CD]
27	GU98200214	Vite	2	Specifiche Tecniche: Comandi Domino-Cev[CD]
28	GU28605678	Leva freno ant.	1	Specifiche Tecniche: Comandi Domino-Cev[CD]
29	GU92608202	Dado	2	Specifiche Tecniche: Comandi Domino-Cev[CD]
30	GU92295708	Sfera	1	Specifiche Tecniche: Comandi Domino-Cev[CD]
31	GU93180080	Tappo	2	Specifiche Tecniche: Comandi Domino-Cev[CD]
32	GU28660178	Pompa freno ant.	1	Specifiche Tecniche: Comandi Domino-Cev[CD]

Assembly	TELAIO
Code	33.14
Description	Impianto freno ant.sx/post.
Revision	1



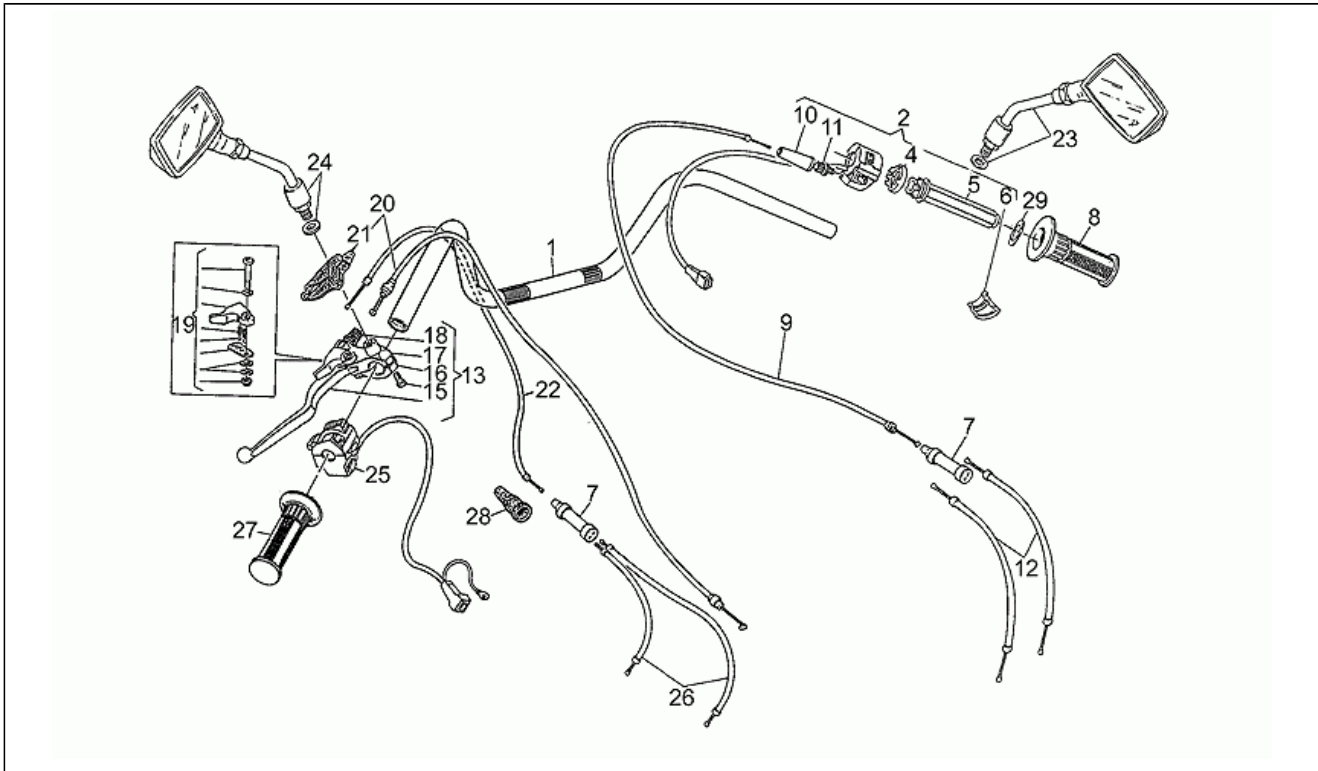
Pos.	Code	Description	Q.ty	Variants
1	GU19677000	Leva freno post.	1	
2	GU14251001	Gommino	1	
3	GU95129260	Rosetta elastica	1	
4	GU95004215	Rondella piana	1	
5	GU95500227	Copiglia	1	
6	GU19675000	Tirante cpl.	1	
7	GU18257551	Blocchetto	1	
8	GU92690073	Dado	2	
9	GU90271008	Anello Seeger	1	
10	GU95770265	Spina	1	
11	GU95129110	Rosetta antivibrante	1	
12	GU95500222	Copiglia	1	
13	GU31666990	Pompa freno post.	1	
14	GU19667500	Leva freno post.	1	
15	GU19667600	Molla leva freno post.	1	
16	GU95004206	Rosetta 6,15x11x0,8	1	
17	GU98054330	Vite	2	
18	GU95000206	Rosetta	2	
19	GU95021106	Rosetta dentellata	2	
20	GU92602206	Dado	2	
21	GU65663500	Serbatoio olio freni	1	
22	GU31626860	Forchetta	1	
23	GU17661052	Tappo serbatoio	1	
24	GU00823950050	Tubo olio	1	
25	GU19157800	Fascetta	2	
26	GU98054316	Vite TE	2	
27	GU95000206	Rosetta	2	
28	GU19659500	Kit raccordo pompa	1	

Assembly	TELAIO
Code	33.14
Description	Impianto freno ant.sx/post.
Revision	1



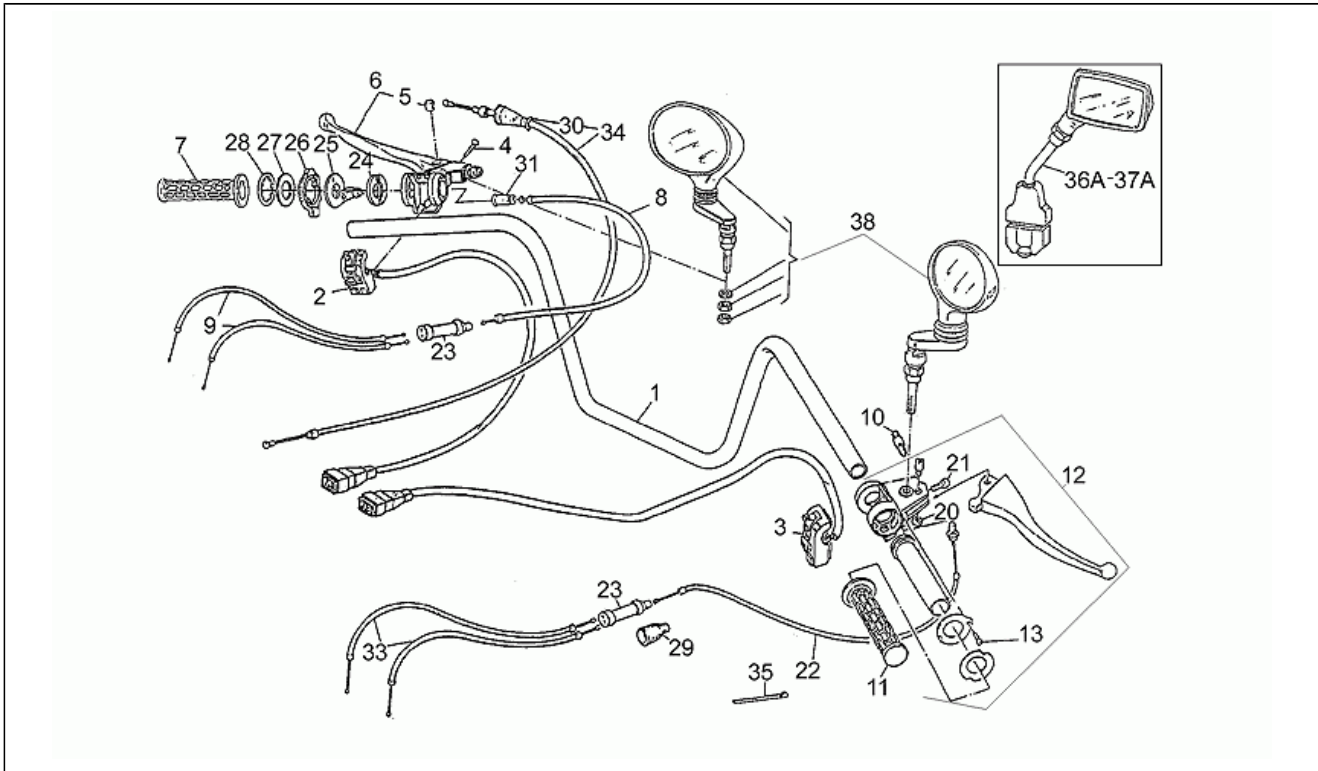
Pos.	Code	Description	Q.ty	Variants
29	GU19659600	Kit revisione leva	1	
30	GU17659350	Kit revisione pompa	1	
31	GU91180705	Distanziale 7X12X5	2	

Assembly	TELAIO
Code	33.15
Description	Manubrio comandi Domino-Cev
Revision	1



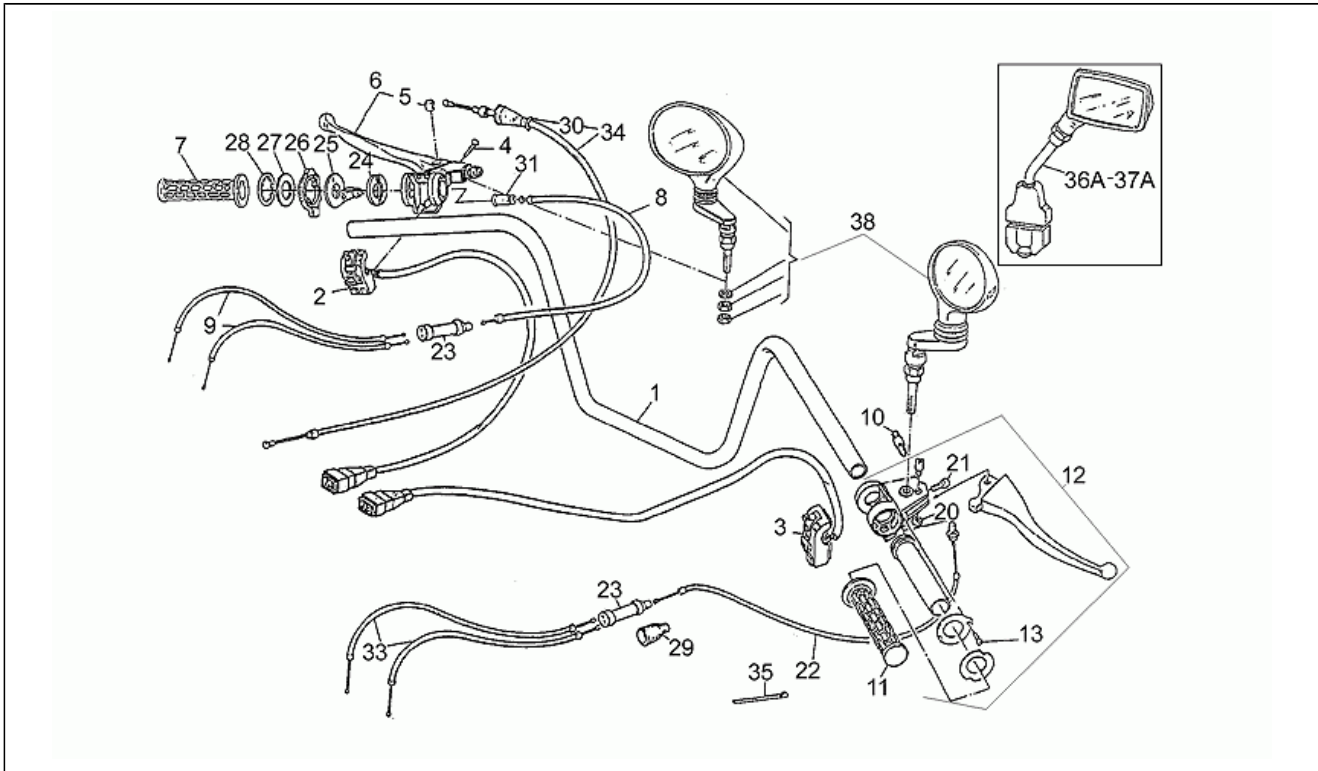
Pos.	Code	Description	Q.ty	Variants
1	GU29600351	Manubrio	1	
2	GU27603400	Comando gas	1	
4	GU27604415	Blocchetto guida	1	
5	GU27603815	Corpo mobile	1	
6	GU27604515	Guidafilo	1	
7	GU30607910	Sdoppiatore	2	
8	GU19603515	Manopola dx	1	
9	GU27117515	Cavo gas	1	
10	GU27117615	Cappuccio	1	
11	GU27603715	Vite registro	1	
12	GU27117775	Cavo gas	2	
13	GU30605530	Leva frizione cpl.	1	
15	GU27601215	Vite	2	
16	GU27601015	Cavallotto	1	
17	GU27601815	Cavallotto leva frizione	1	
18	GU30602500	Registro	1	
19	GU27659415	Leva starter	1	
20	GU31093061	Cavo frizione	1	
21	GU27663815	Protezione	1	
22	GU27132815	Cavo starter	1	
23	GU14769870	Specchio retrovisore dx	1	
24	GU14769470	Specchio retrovisore sx	1	
25	GU27738015	Devioluci sx	1	
26	GU27133515	Cavo starter	2	
27	GU19603015	Manopola sx	1	
28	GU12717600	Cappuccio	2	
29	GU29606970	Rosetta in nylon	1	

Assembly	TELAIO
Code	33.16
Description	Manubrio comandi Magura
Revision	1



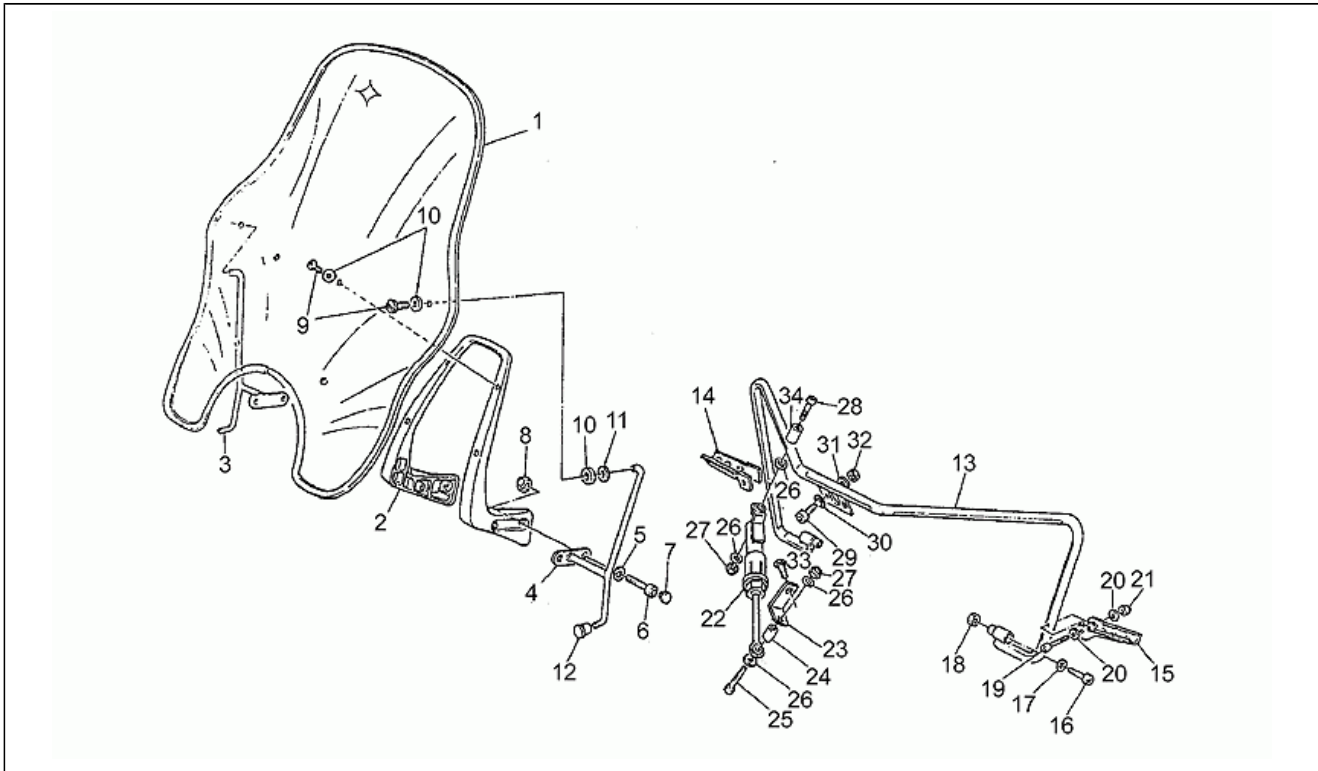
Pos.	Code	Description	Q.ty	Variants
1	GU29600351	Manubrio	1	
2	GU23738070	Devioluci sx	1	
3	GU23750370	Devioluci dx	1	
4	GU98260425	Vite	2	
5	GU29608750	Barilotto	1	
6	GU29605550	Leva frizione	1	
7	GU29603050	Manopola sx	1	
8	GU23132810	Cavo starter	1	
9	GU27133515	Cavo starter	2	
10	GU39741101	Interruttore stop	1	
11	GU29603550	Manopola dx	1	
12	GU29999250	Cavo gas cpl.	1	
13	GU98280410	Vite	1	
20	GU92601206	Dado	1	
21	GU98612316	Vite TCEI M6x16	1	
22	GU23117570	Cavo gas	1	
23	GU30607910	Sdoppiatore	2	
24	GU29132050	Anello	1	
25	GU29133250	Comando starter	1	
26	GU29132350	Leva starter	1	
27	GU29132650	Rosetta	1	
28	GU17751100	Anello	1	
29	GU12717600	Cappuccio	2	
30	GU23093870	Soffietto	1	
31	GU29132750	Gommino	1	
33	GU23117770	Cavo gas	2	
34	GU23093070	Cavo frizione	1	
35	GU14609650	Fascetta 3,6x20,6	1	

Assembly	TELAIO
Code	33.16
Description	Manubrio comandi Magura
Revision	1



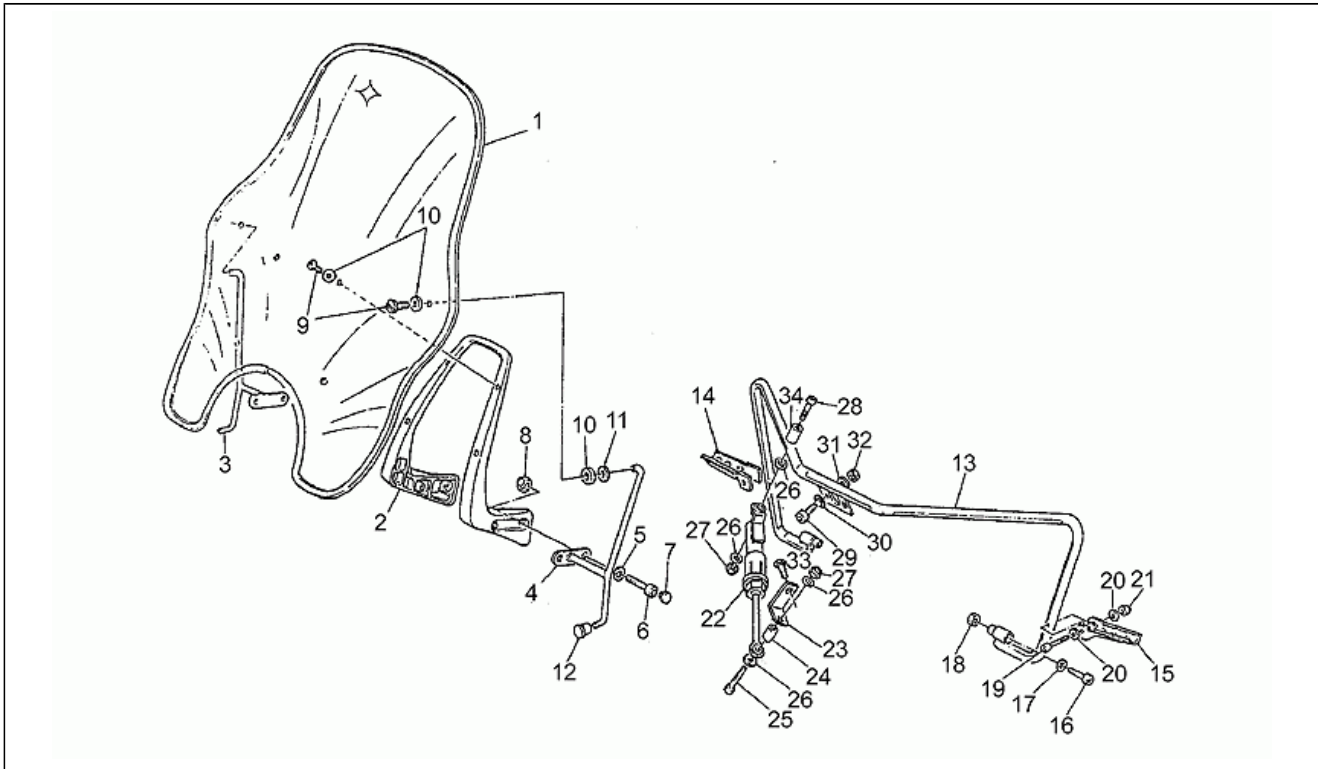
Pos.	Code	Description	Q.ty	Variants
35	GU61609630	Fascetta	1	
36	GU29769460	Specchio sx	1	Anno: 1992[N] Paese: Germania[D] Specifiche Tecniche:Versione 20Kw[20KW]
37	GU29769860	Specchio sx	1	Anno: 1992[N] Paese: Germania[D] Specifiche Tecniche:Versione 20Kw[20KW]
38	GU23999570	Specchi-coppia	1	

Assembly	TELAIO
Code	33.17
Description	Parabrezza-paraurti ant.
Revision	1



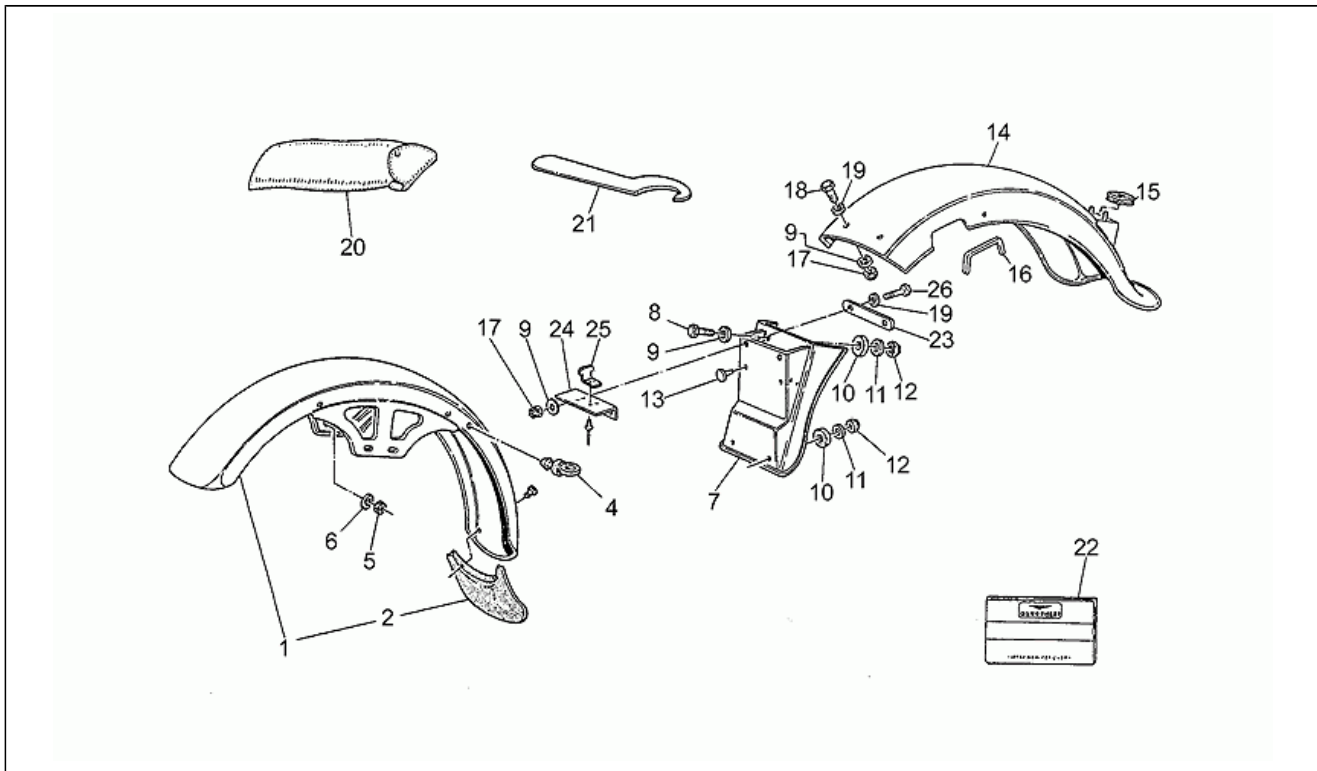
Pos.	Code	Description	Q.ty	Variants
1	GU23577270	Parabrezza	1	
2	GU66506820	Supporto parabrezza	1	
3	GU23506810	Staffa dx	1	
4	GU23506910	Staffa sx	1	
5	GU95004210	Rosetta 10,2x18x2	2	
6	GU98622535	Vite	2	
7	GU23943510	Tappo cromato	2	
8	GU92630510	Dado M10x1,5	2	
9	GU98326016	Vite	6	
10	GU93110060	Gommino	12	
11	GU95100119	Rosetta 6,25X11X1	2	
12	GU23576910	Gommino	2	
13	GU23450210	paraurti ant.	1	
14	GU23447610	Pedana dx	1	
15	GU23447710	Pedana sx	1	
16	GU98622545	Vite	2	
17	GU95120105	Rosetta	2	
18	GU92602210	Dado	2	
19	GU98620350	Vite TCEI	2	
20	GU95004206	Rosetta 6,15x11x0,8	4	
21	GU92630106	Dado M6x1	2	
22	GU17530260	Ammortizzatore di sterzo	1	
23	GU23531860	Staffa	1	
24	GU91180618	Distanziale	1	
25	GU98620340	Vite	1	
26	GU95000206	Rosetta	4	
27	GU92630106	Dado M6x1	2	
28	GU98620345	Vite	1	

Assembly	TELAIO
Code	33.17
Description	Parabrezza-paraurti ant.
Revision	1



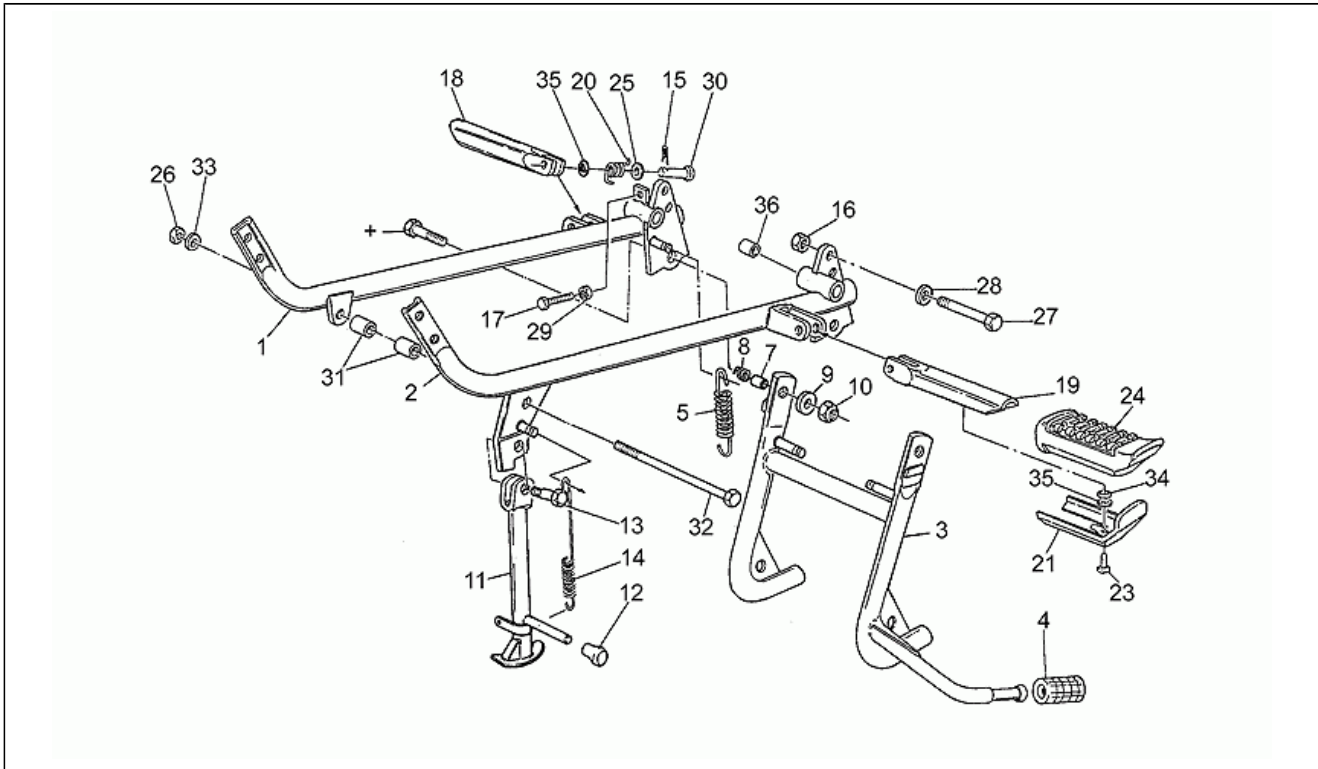
Pos.	Code	Description	Q.ty	Variants
29	GU98622425	Vite TCEI M8X25	2	
30	GU95021108	Rosetta elastica	2	
31	GU95000208	Rosetta	2	
32	GU92602208	Dado M8X1,25	2	
33	GU98072570	Vite	1	
34	GU23451170	Distanziale	1	

Assembly	TELAIO
Code	33.18
Description	Parafanghi
Revision	1



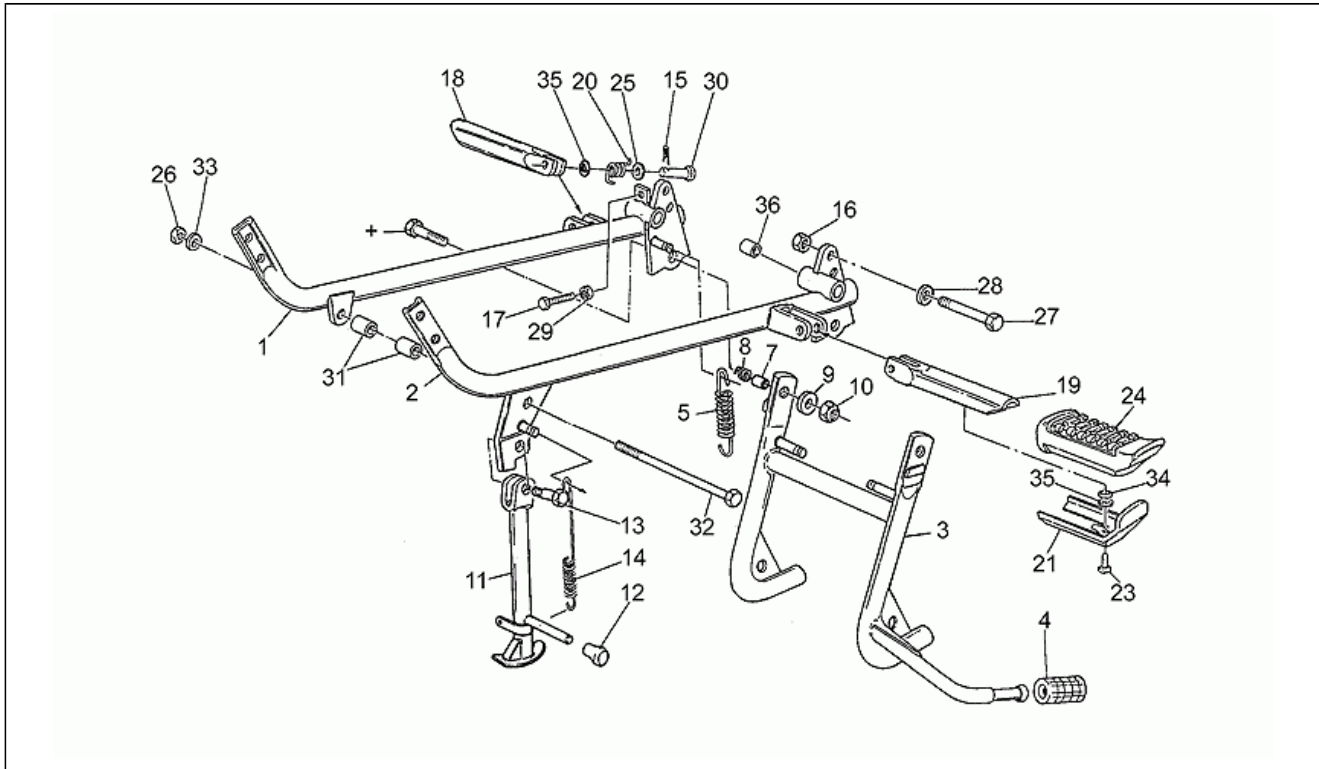
Pos.	Code	Description	Q.ty	Variants
1	GU23434210	Parafango anteriore	1	
2	GU27436920	Paraspruzzi	1	
4	GU28659740	Occhiello	2	
5	GU92602208	Dado M8X1,25	4	
6	GU61270300	Rosetta elastica 8x15x0,3	4	
7	GU19438770	Paraspruzzi	1	
8	GU98054325	Vite	2	
9	GU95100118	Rosetta 6,2X18X1	8	
10	GU93110060	Gommino	10	
11	GU95100141	Rosetta 6,4x12x1,2	4	
12	GU92630106	Dado M6x1	4	
13	GU19705900	Tampone	2	
14	GU23437010	Parafango posteriore	1	
15	GU91551099	Gommino	1	
16	GU23438980	Guarnizione	2	
17	GU92630106	Dado M6x1	2	
18	GU98054320	Vite TE	2	
19	GU95000206	Rosetta	6	
20	GU28929940	Trousse attrezzi	1	
21	GU14912755	Chiave regolaz.ammortizzatore	1	
22	GU23900010	Libretto uso e manut.	1	Paese:Italia[I]
22	GU23900011	Libretto uso e manut.	1	Paese:Gran Bretagna[UK]
22	GU23900012	Libretto uso e manut.	1	Paese:Germania[D]
22	GU23900013	Libretto uso e manut.	1	Paese:Francia[F]
23	GU23439210	Piastrina	1	
24	GU23439010	Piastra attacco centralina	1	
25	GU23438510	Supporto centralina	2	
26	GU98054312	Vite	2	

Assembly	TELAIO
Code	33.19
Description	Pedane - cavalletto
Revision	1



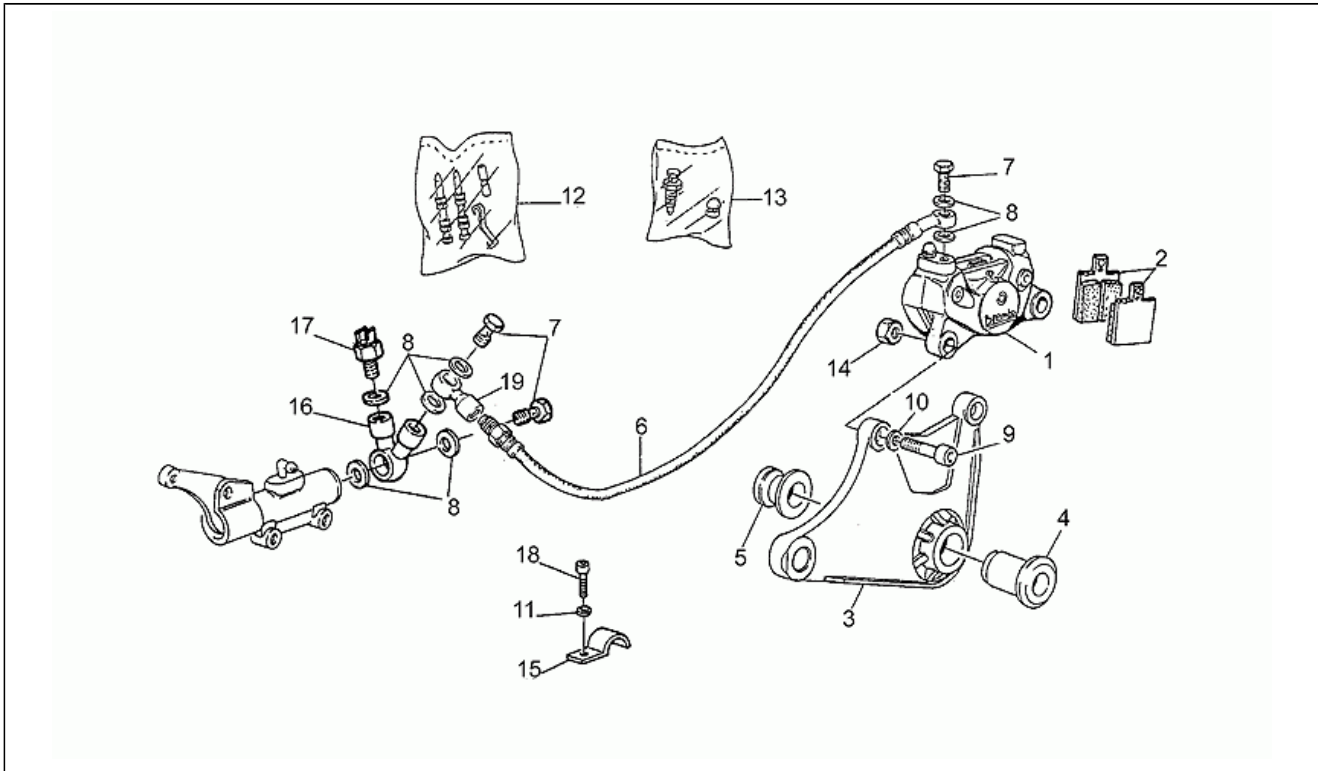
Pos.	Code	Description	Q.ty	Variants
1	GU23420310	Culla dx	1	
2	GU23422110	Culla sx	1	
3	GU23430370	Cavalletto centrale	1	
4	GU13432640	Pedalino	1	
5	GU12434001	Molla ritorno cavalletto	2	
6	GU98054530	Vite	2	
7	GU91181114	Distanziale	2	
8	GU94322215	Molla	2	
9	GU95000210	Rosetta	2	
10	GU92630510	Dado M10x1,5	2	
11	GU23432011	Cavalletto laterale	1	
12	GU19433000	Gommino di chiusura	1	
13	GU99105129	Perno	1	
14	GU23434010	Molla	2	
15	GU95401215	Copiglia	2	
16	GU92602210	Dado	2	
17	GU98054322	Vite TE	1	
18	GU23440710	Tubo porta pedana dx	1	
19	GU23441810	Tubo porta pedana sx	1	
20	GU23441110	Molla	2	
21	GU23441210	Piastra aggancio pedana	2	
23	GU98054314	Vite	2	
24	GU23443210	Pedana in gomma	2	
25	GU95000208	Rosetta	2	
26	GU92602210	Dado	1	
27	GU98052565	Vite	2	
28	GU95004210	Rosetta 10,2x18x2	2	
29	GU92602206	Dado	1	

Assembly	TELAIO
Code	33.19
Description	Pedane - cavalletto
Revision	1



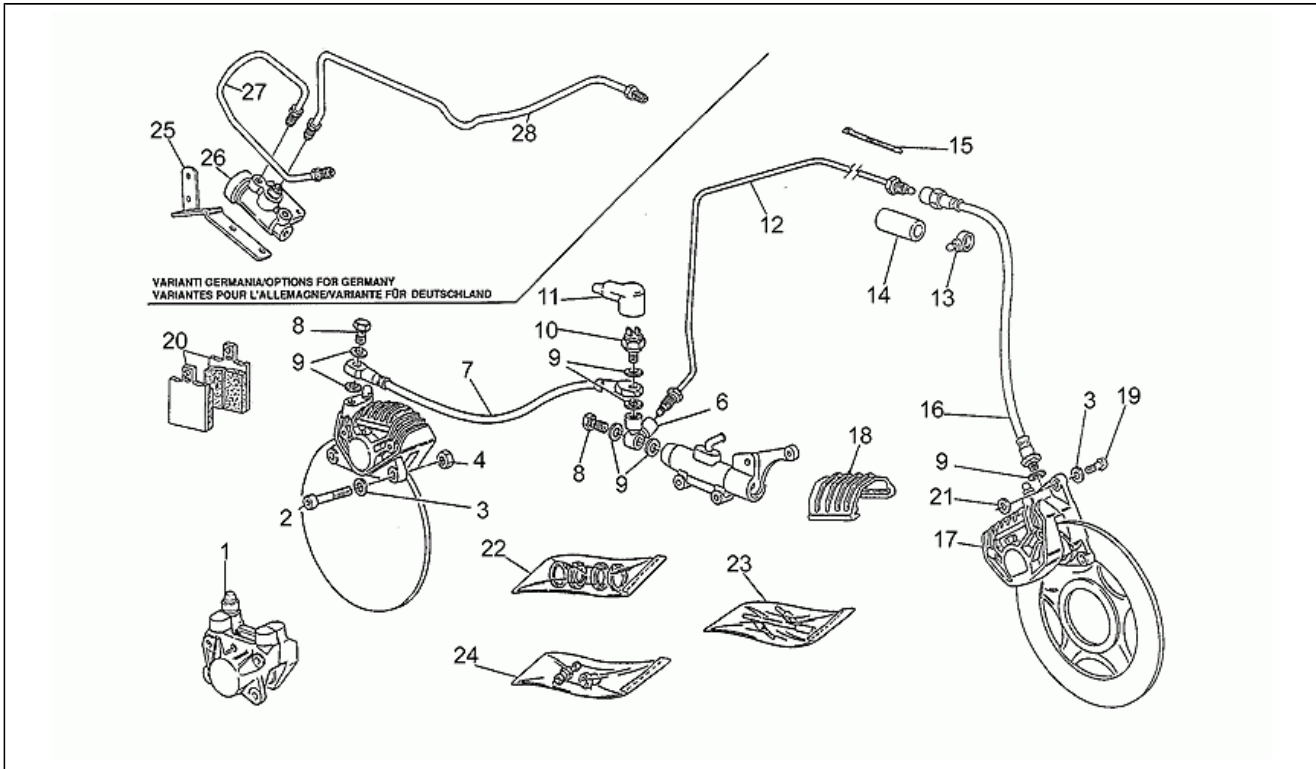
Pos.	Code	Description	Q.ty	Variants
30	GU23442210	Perno	2	
31	GU19017000	Boccola	2	
32	GU53429500	Perno M10x250	1	
33	GU95004210	Rosetta 10,2x18x2	1	
34	GU91180602	Distanziale	2	
35	GU95129130	Rosetta elastica	4	
36	GU18252050	Boccola 19 mm	4	
36	GU28252060	Bussola 18 mm est.	4	

Assembly	TELAIO
Code	33.20
Description	Pinze freno post.-ruota raggi
Revision	1



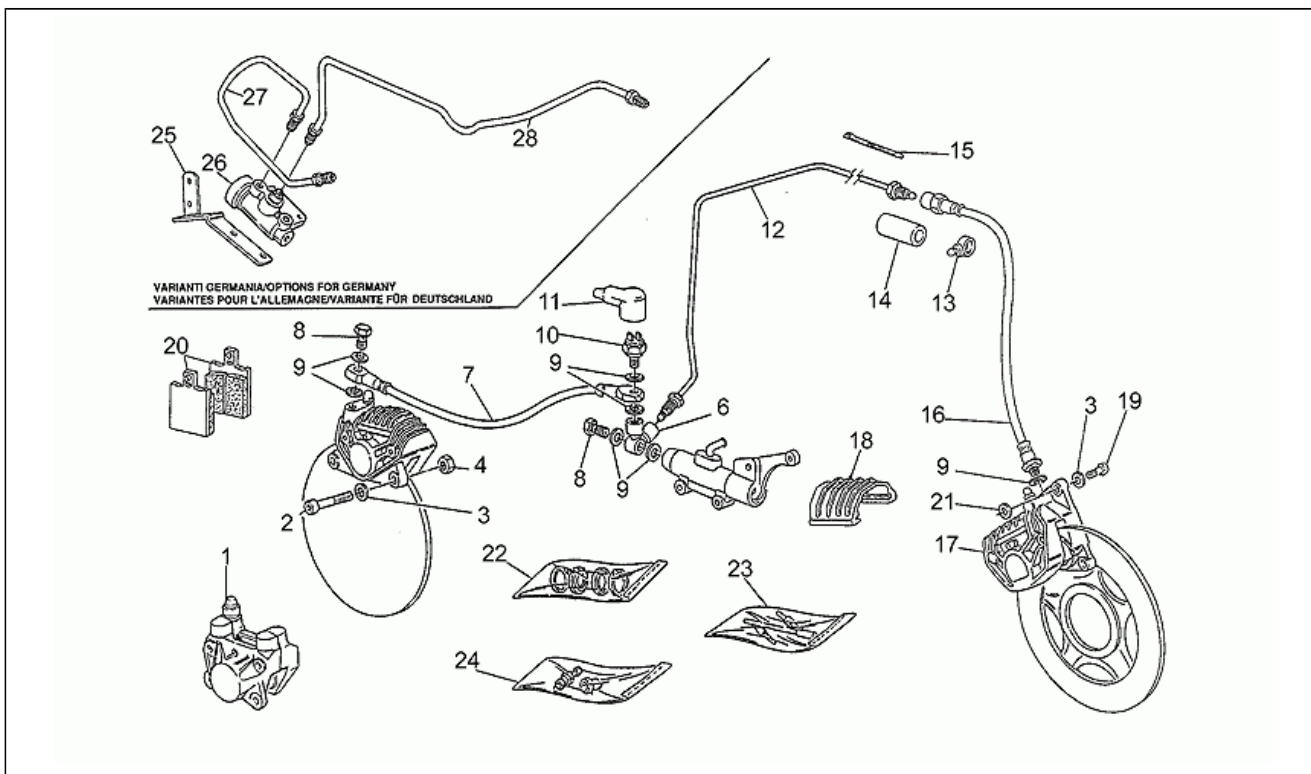
Pos.	Code	Description	Q.ty	Variants
1	GU23653011	Pinza freno posteriore	1	
2	GU31654660	Pastiglie-coppia	1	
3	GU27635811	Piastra attacco pinza freno	1	
4	GU31634230	Boccola	1	
5	GU31634130	Distanziale	1	
6	GU27657120	Tubo olio freno	1	
7	GU95990028	Vite tubo olio *	3	
8	GU25656100	Guarnizione in alluminio	7	
9	GU98612425	Vite	2	
10	GU61270300	Rosetta elastica 8x15x0,3	2	
11	GU95000206	Rosetta	1	
12	GU31659160	Perni+molla BREMBO	1	
13	GU31659260	Spurgo+cappuccio BREMBO D.10	1	
14	GU92602208	Dado M8X1,25	1	
15	GU93301313	Cavallotto	1	
16	GU19668000	Raccordo tubo	1	
17	GU63657000	Interruttore idraulico	1	
18	GU98622310	Vite	1	
19	GU19655265	Raccordo	1	

Assembly	TELAIO
Code	33.21
Description	Pinze freno
Revision	1



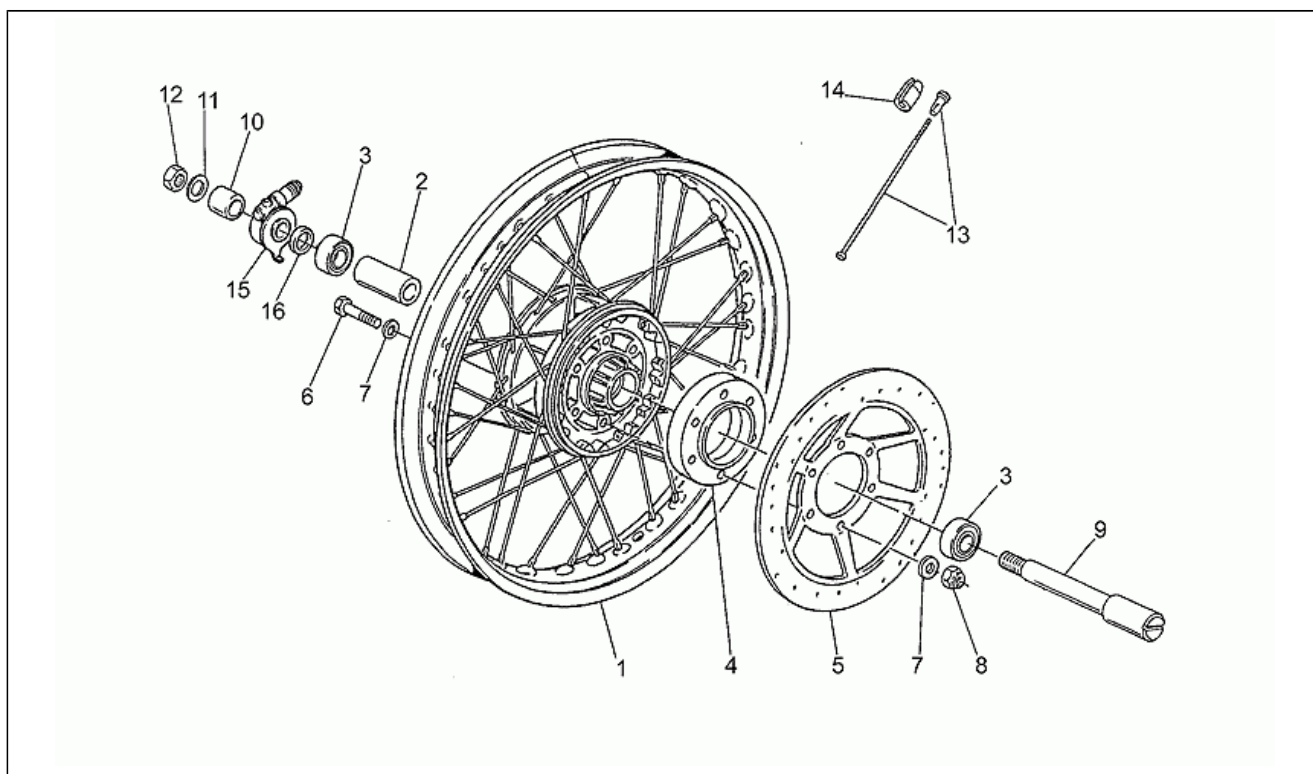
Pos.	Code	Description	Q.ty	Variants
1	0000000	Copertura 110/90"	1	Specifiche Tecniche: Prima serie[1A], Ordinare 000236530100[E2]
1	GU23653011	Pinza freno posteriore	1	Specifiche Tecniche: Seconda serie[2A]
2	GU98622422	Vite	2	
3	GU61270300	Rosetta elastica 8x15x0,3	2	
4	GU92602208	Dado M8X1,25	2	
6	GU19668000	Raccordo tubo	1	
7	GU19658660	Tubo freno	1	Specifiche Tecniche: Ruota raggi[RG]
8	GU95990028	Vite tubo olio *	2	
9	GU25656100	Guarnizione in alluminio	7	
10	GU14657050	Interruttore stop	1	
11	GU12735100	Cappuccio	1	
12	GU19658735	Tubo rigido	1	
13	GU19436500	Occhiello	1	
14	GU17573860	Protezione	1	
15	GU14609650	Fascetta 3,6x20,6	3	
16	GU17658860	Tubo freno	1	
17	GU31652265	Pinza freno ant.dx Grimeca	1	Specifiche Tecniche: Vedi circolare tecnica n.298 del 1995[29895C]
17	GU31654765	Coperchio pinza freno GRIMECA	1	Specifiche Tecniche: Vedi circolare tecnica n.298 del 1995[29895C]
18	GU39654700	Coperchio pinza freno BREMBO	2	Specifiche Tecniche: Prima serie[1A]
19	GU98622422	Vite	2	
20	GU27654610	Pastiglie-coppia BREMBO	2	
20	GU31654660	Pastiglie-coppia	2	
20	GU31654665	Pastiglie-coppia GRIMECA	2	Specifiche Tecniche: Vedi circolare tecnica n.298 del 1995[29895C]
21	GU95100250	Rosetta 8,5X18X0,5	1	
21	GU95100251	Rosetta 8,5X18X0,8	1	

Assembly	TELAIO
Code	33.21
Description	Pinze freno
Revision	1



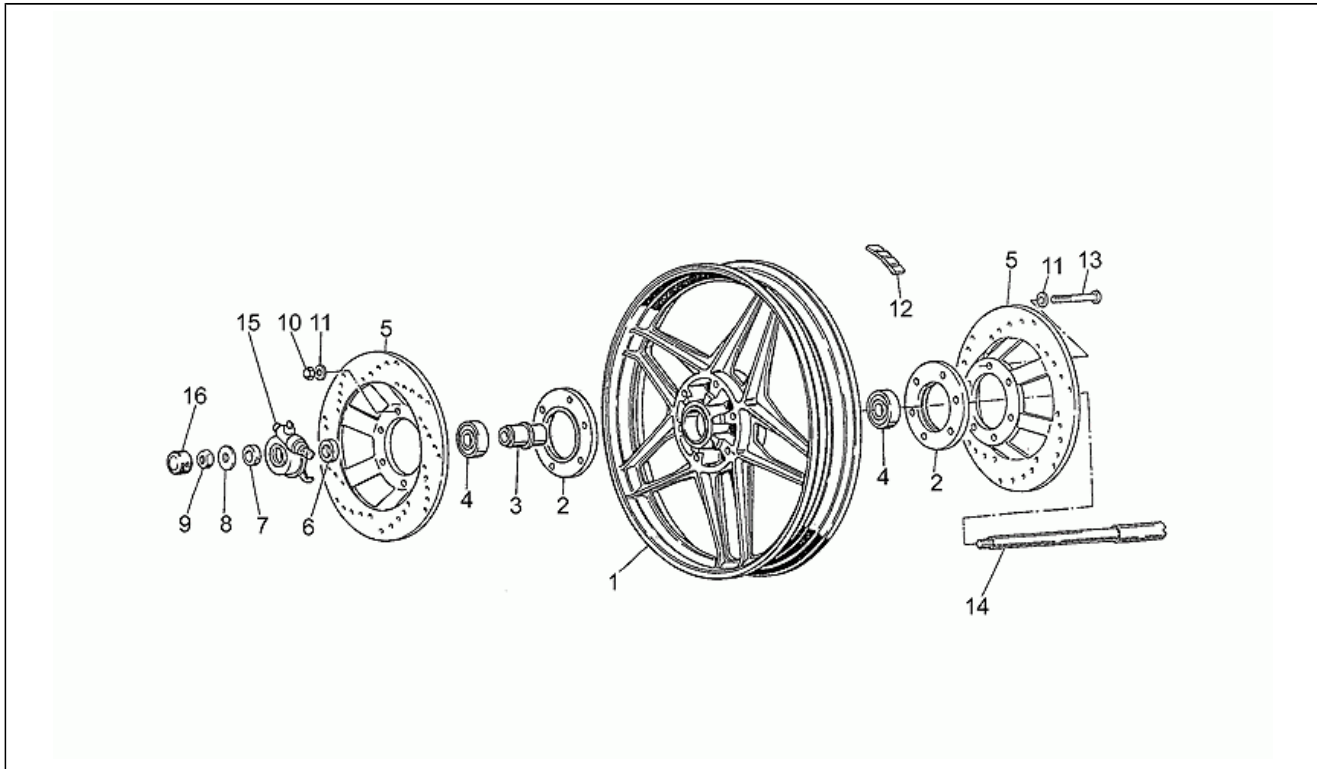
Pos.	Code	Description	Q.ty	Variants
22	GU39659000	Kit revisione pinza BREMBO	2	
22	GU66659031	Kit revisione pinza GRIMECA	1	Specifiche Tecniche: Vedi circolare tecnica n.298 del 1995[29895C]
23	GU31659160	Perni+molla BREMBO	1	Specifiche Tecniche: Seconda serie[2A]
23	GU31659165	Perni+molla GRIMECA	2	Specifiche Tecniche: Vedi circolare tecnica n.298 del 1995[29895C]
23	GU39659100	Perni+molla BREMBO	1	Specifiche Tecniche: Prima serie[1A]
24	GU31659260	Spurgo+cappuccio BREMBO D.10	1	
24	GU31659265	Spurgo+cappuccio GRIMECA	1	Specifiche Tecniche: Vedi circolare tecnica n.298 del 1995[29895C]
24	GU65659200	Spurgo+cappuccio BREMBO D.6	1	
25	GU23415670	Supporto	1	Paese: Germania[D]
26	GU19668565	Valvola ritardatrice 4,5/26	1	Paese: Germania[D]
27	GU23657870	Tubo	1	Paese: Germania[D]
28	GU23658770	Tubo	1	Paese: Germania[D]

Assembly	TELAIO
Code	33.22
Description	Ruota ant.raggi
Revision	1



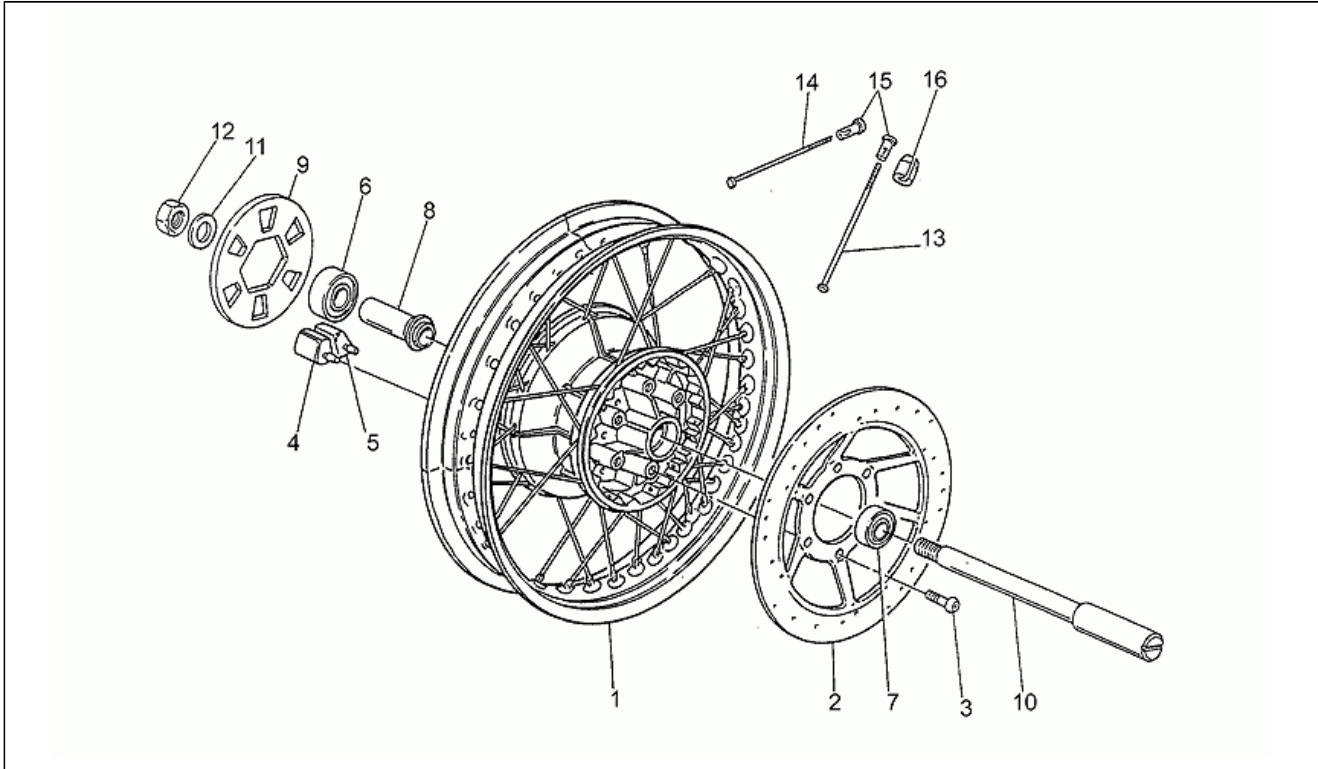
Pos.	Code	Description	Q.ty	Variants
1	GU23610370	Ruota anteriore	1	
2	GU19615235	Distanziale	1	
3	GU92204217	Cuscinetto	2	
4	GU23611271	Distanziale	2	
5	GU31613335	Disco freno	2	
5	GU31613380	Disco freno	2	Colore:Bianco perlato 435[b]
6	GU98052475	Vite TE M8X75	6	
7	GU95000208	Rosetta	12	
8	GU92730082	Dado cieco	6	
9	GU62614120	Perno ruota ant.	1	
10	GU62616320	Distanziale	1	
11	GU95004217	Rosetta 17X27X2	1	
12	GU92602516	Dado M16X1,5	1	
13	GU39611601	Raggio	36	
14	GU27616110	Contrappeso 10 gr.	1	
14	GU27616111	Contrappeso 15 gr.	1	
14	GU27616112	Contrappeso 20 gr.	1	
14	GU27616113	Contrappeso 30 gr.	1	
15	GU39762501	Rinvio kontakm	1	
16	GU91181804	Distanziale	1	

Assembly	TELAIO
Code	33.23
Description	Ruota ant.lega
Revision	1



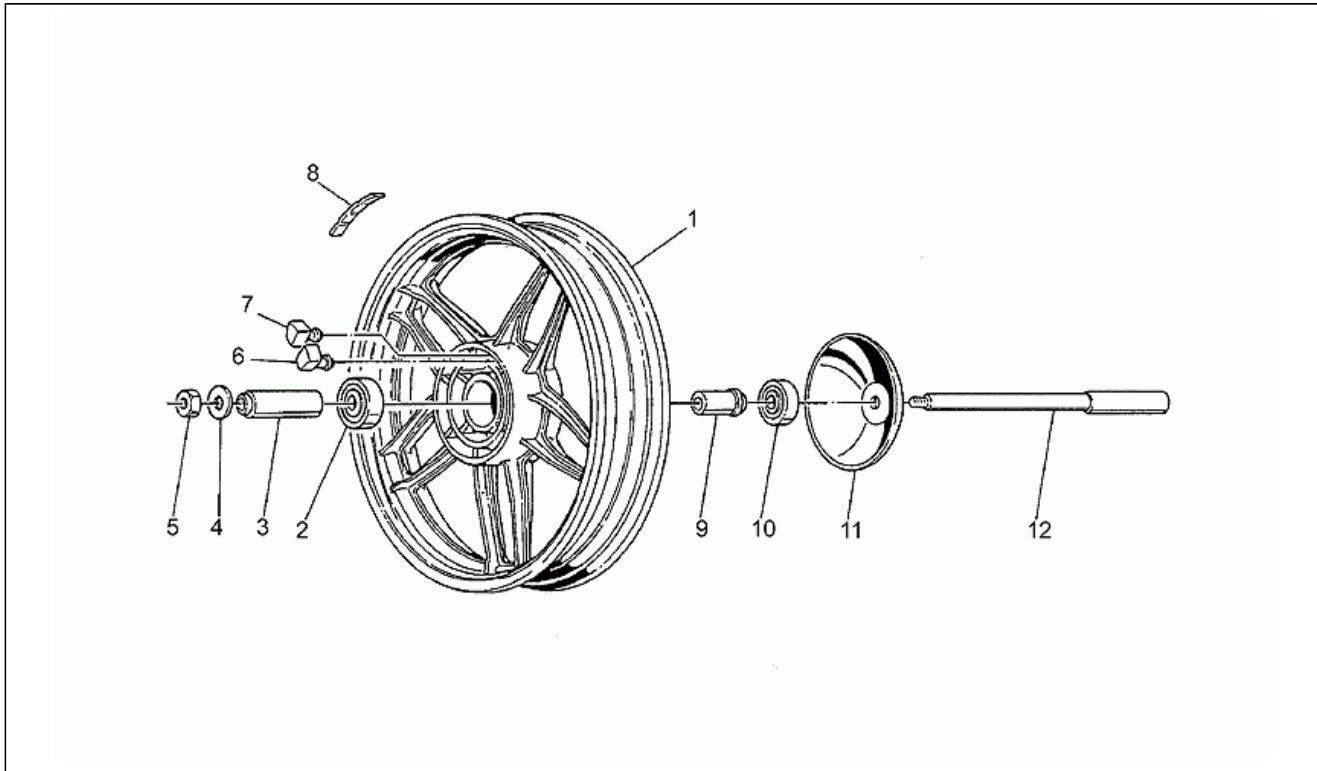
Pos.	Code	Description	Q.ty	Variants
1	GU23610380	Ruota anteriore 2,15x18	1	
2	GU27616335	Flangia	2	
3	GU19615335	Distanziale	1	
4	GU92204217	Cuscinetto	2	
5	GU31613335	Disco freno	2	
6	GU91181804	Distanziale	1	
7	GU62616320	Distanziale	1	
8	GU95004217	Rosetta 17X27X2	1	
9	GU92602516	Dado M16X1,5	1	
10	GU92730082	Dado cieco	6	
11	GU95004208	Rosetta	12	
12	GU14616150	Contrappeso	2	
13	GU98052480	Vite	6	
14	GU62614120	Perno ruota ant.	1	
15	GU39762501	Rinvio kontakm	1	
16	GU62616800	Tappo	1	

Assembly	TELAIO
Code	33.24
Description	Ruota post.raggi
Revision	1



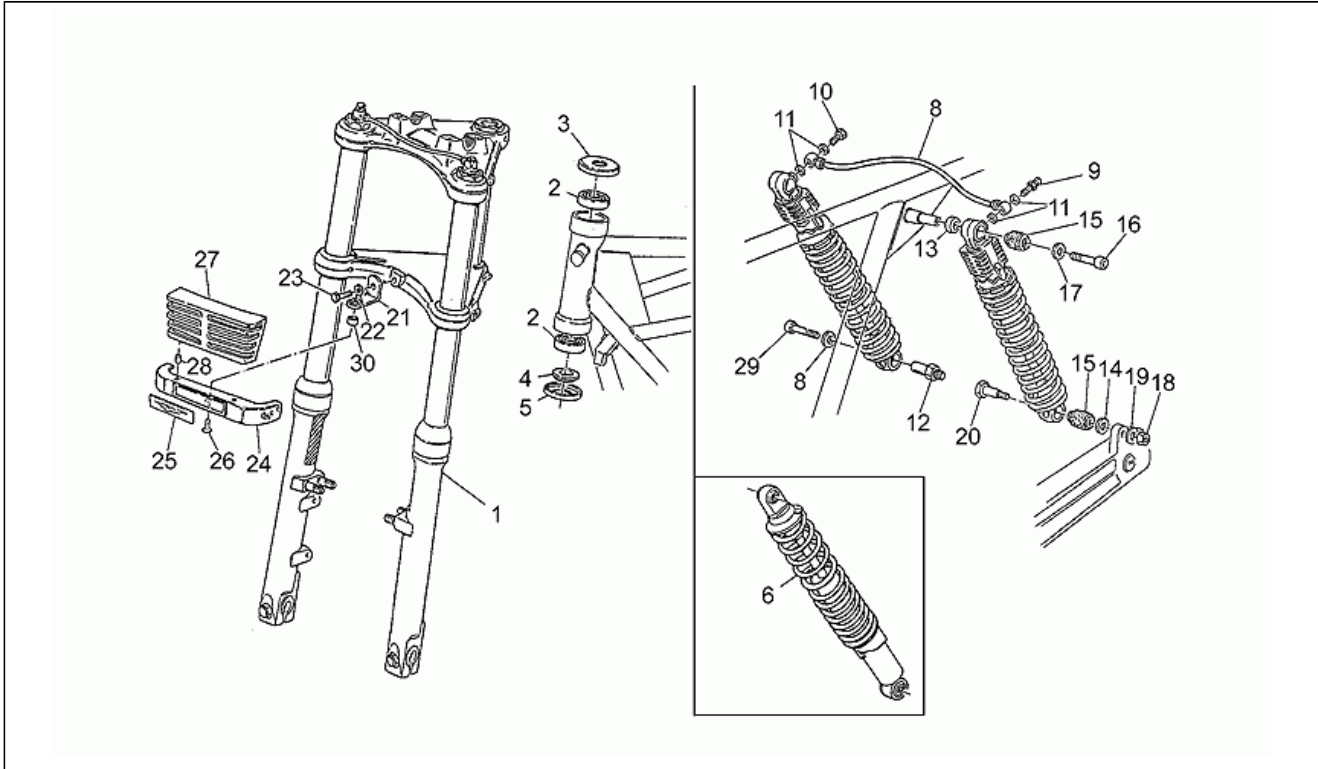
Pos.	Code	Description	Q.ty	Variants
1	GU23630370	Ruota posteriore	1	
2	GU31613335	Disco freno	1	
2	GU31613380	Disco freno	1	Colore: Bianco perlato 435[b]
3	GU98230825	Vite	6	
4	GU19632501	Elemento parastrappi dx	6	
5	GU19632502	Elemento parastrappi sx	6	
6	GU92204218	Cuscinetto	1	
7	GU92204217	Cuscinetto	1	
8	GU27633910	Distanziale	1	
9	GU27356910	Distanziale	1	
10	GU31633330	Perno ruota post.	1	
11	GU14634400	Rosetta	1	
12	GU92602316	Dado M6x1,5	1	
13	GU23631470	Raggio lungo	18	
14	GU23631170	Raggio corto	18	
15	GU27631250	Nipples	36	
16	GU27616110	Contrappeso 10 gr.	1	
16	GU27616111	Contrappeso 15 gr.	1	
16	GU27616112	Contrappeso 20 gr.	1	
16	GU27616113	Contrappeso 30 gr.	1	

Assembly	TELAIO
Code	33.25
Description	Ruota post.lega
Revision	1



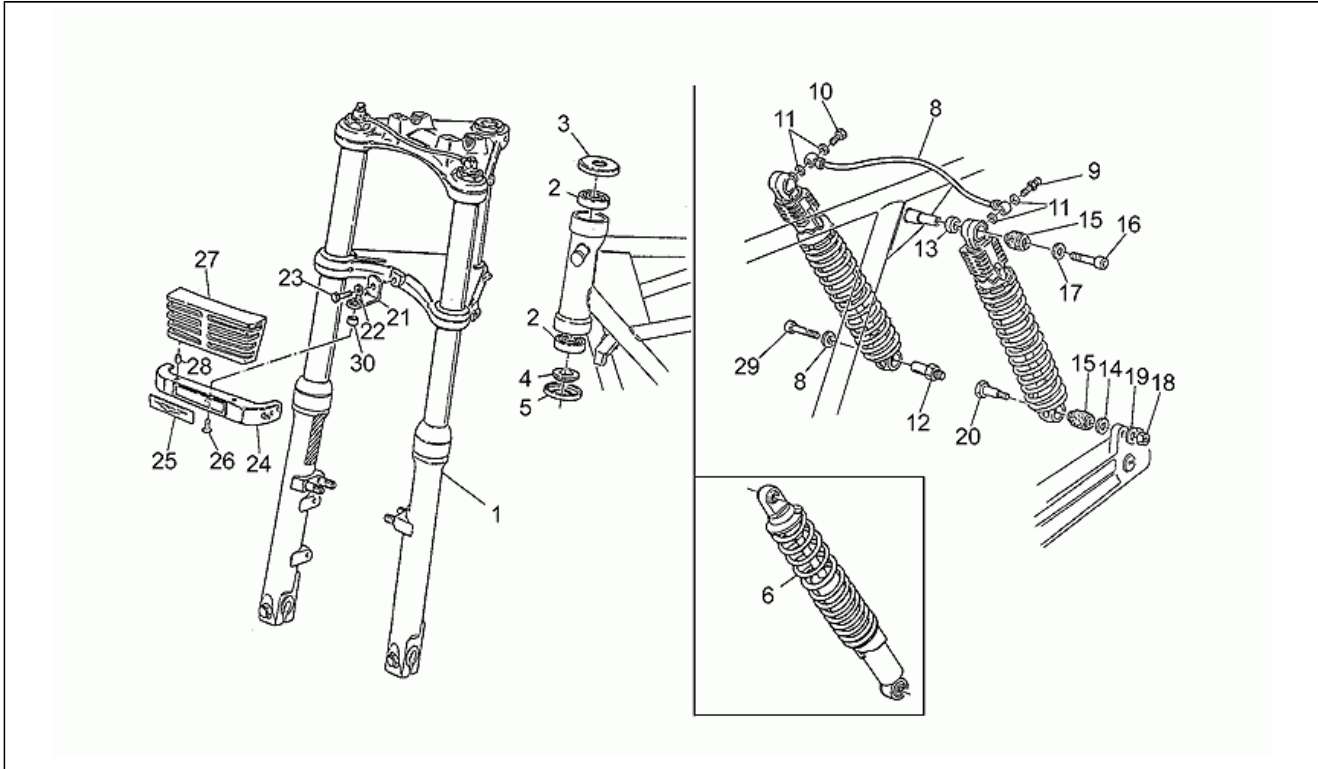
Pos.	Code	Description	Q.ty	Variants
1	GU23630680	Ruota posteriore 2,50x16"	1	
2	GU92204218	Cuscinetto	1	
3	GU19634100	Distanziale	1	
4	GU14634400	Rosetta	1	
5	GU92602316	Dado M6x1,5	1	
6	GU19632501	Elemento parastrappi dx	6	
7	GU19632502	Elemento parastrappi sx	6	
8	GU14616150	Contrappeso	2	
9	GU19633935	Distanziale int.cuscinetti	1	
10	GU92204217	Cuscinetto	1	
11	GU19636400	Protezione	1	
12	GU23633380	Perno ruota post.	1	

Assembly	TELAIO
Code	33.26
Description	Sospensioni ant./post.
Revision	1



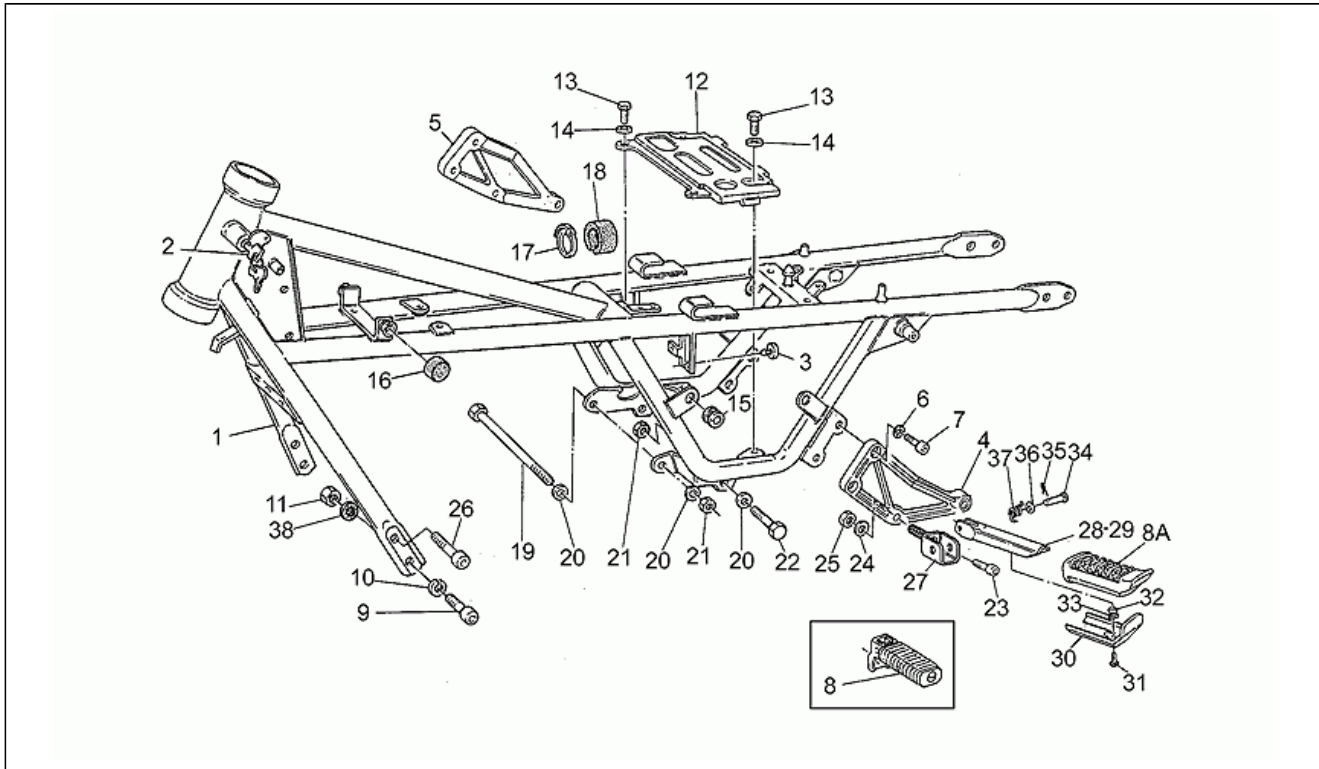
Pos.	Code	Description	Q.ty	Variants
1	GU23490371	Forcella anteriore	1	
2	GU92249225	Cuscinetto a rulli conici	2	
3	GU14494600	Scodellino	1	
4	GU14516700	Rosetta di spallamento	1	
5	GU14517000	Parapolvere	1	
6	GU23999270	Ammortizzatore-coppia	1	
8	GU19556160	Tubo	1	
9	GU28556250	Valvola aria	2	
10	GU28556450	Vite forata	1	
11	GU28556350	Rosetta in rame	4	
12	GU23555281	Perno	1	
13	GU91181407	Distanziale	2	
14	GU95100256	Rosetta	1	
15	GU14551655	Silent-block	4	
16	GU98822440	Vite	2	
17	GU95000208	Rosetta	2	
18	GU92602410	Dado	1	
19	GU95004210	Rosetta 10,2x18x2	2	
20	GU23555280	Perno	1	
21	GU19498060	Piastra	1	
22	GU61013800	Rosetta speciale	1	
23	GU98054320	Vite TE	1	
24	GU23751310	Staffa	1	
25	GU23769510	Targhetta costruttore	1	
26	GU98326014	Vite	1	
27	GU23505810	Griglia supporto indicatore	1	
28	GU23922210	Perno	2	
29	GU98822416	Vite	1	

Assembly	TELAIO
Code	33.26
Description	Sospensioni ant./post.
Revision	1



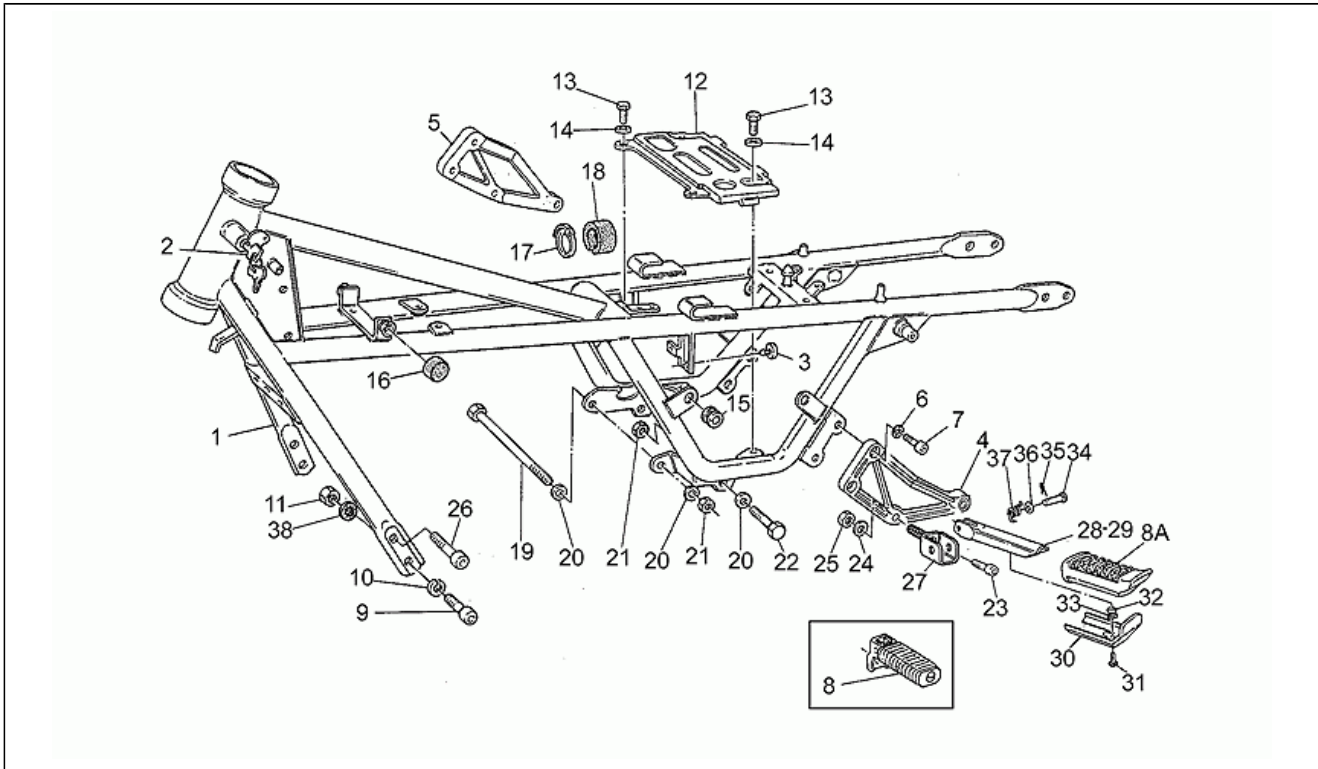
Pos.	Code	Description	Q.ty	Variants
30	GU91180706	Distanziale	1	

Assembly	TELAIO
Code	33.27
Description	Telaio
Revision	1



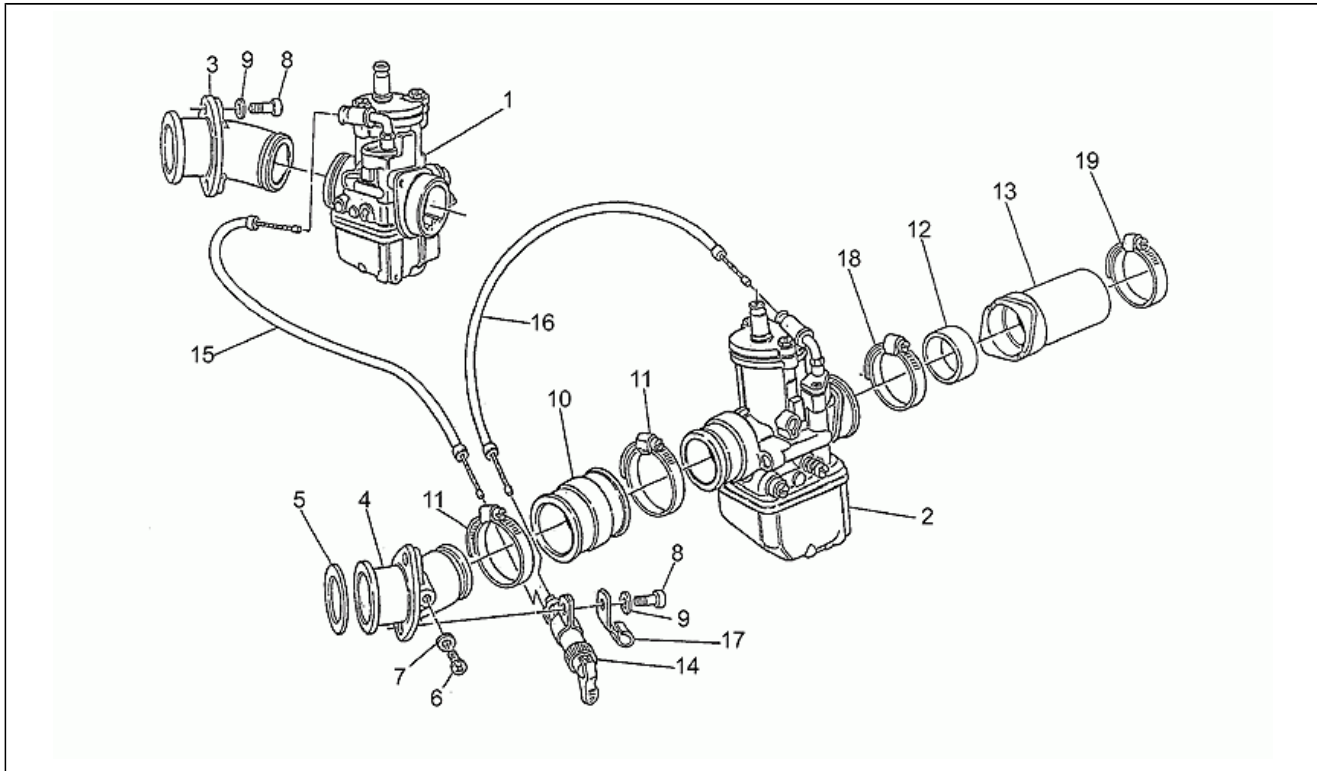
Pos.	Code	Description	Q.ty	Variants
1	GU23400110	Telaio	1	
2	GU19782520	Serratura	1	
3	GU19705900	Tampone	4	
4	GU23446010	Supporto pedana pass.sx	1	
5	GU23443510	Supporto pedana pass.dx	1	
6	GU14615901	Rosetta 8,4X13X0,8	4	
7	GU98622416	Vite	4	
8	GU23442310	Pedana post.	2	Specifiche Tecniche: Prima serie[1A]
8	GU23443210	Pedana in gomma	2	Specifiche Tecniche: Seconda serie[2A]
9	GU98622525	Vite 25 mm	2	
10	GU95120105	Rosetta	4	
11	GU92602210	Dado	4	
12	GU27418210	Piastra porta batteria	1	
13	GU98054418	Vite	4	
14	GU95004208	Rosetta	4	
15	GU91551080	Gommino	4	
16	GU39103400	Tampone	2	
17	GU14609650	Fascetta 3,6x20,6	2	
18	GU28109040	Tampone	2	
19	GU98110199	Perno M10x205	1	
20	GU95004210	Rosetta 10,2x18x2	4	
21	GU92602210	Dado	3	
22	GU98052555	Vite	2	
23	GU98231025	Vite	2	
24	GU14018400	Rosetta 10,5X21X1	2	
25	GU92601210	Dado	2	
26	GU98622545	Vite	2	
27	GU23442710	Cavallotto	2	

Assembly	TELAIO
Code	33.27
Description	Telaio
Revision	1



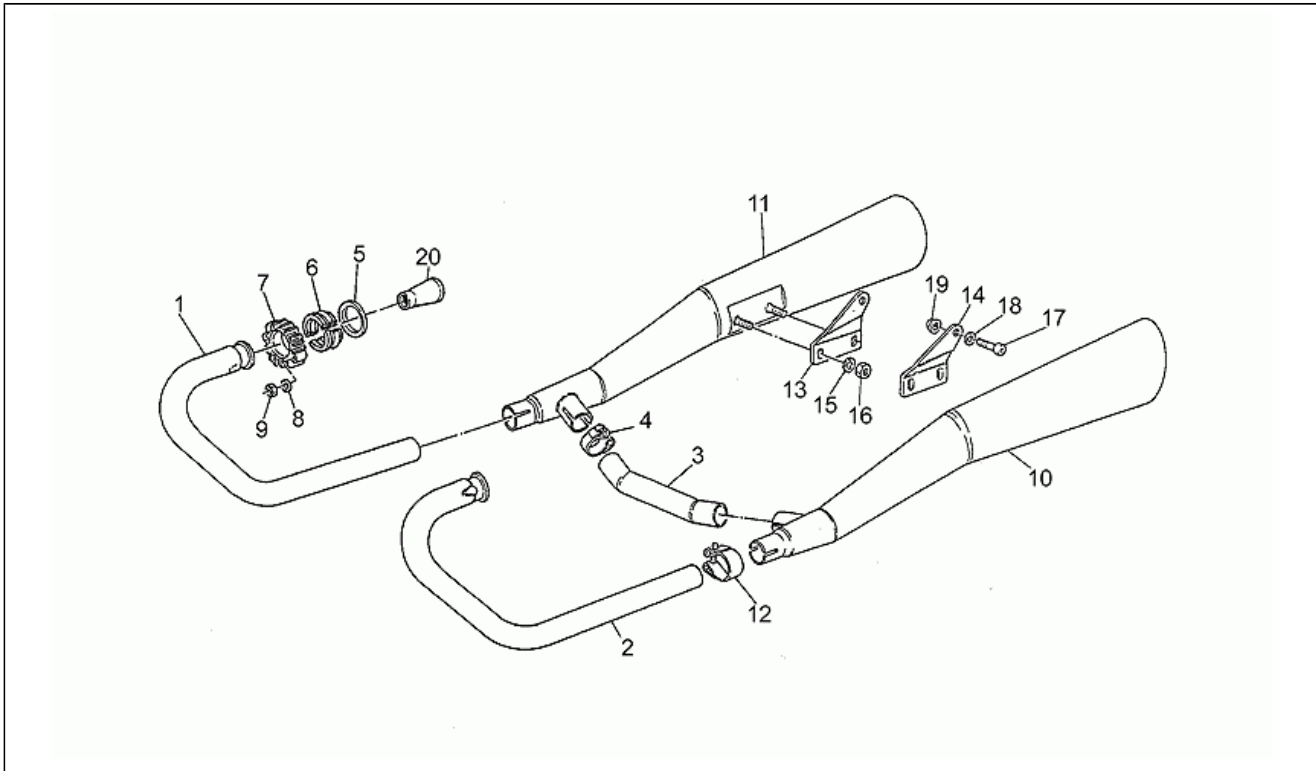
Pos.	Code	Description	Q.ty	Variants
28	GU23440710	Tubo porta pedana dx	1	
29	GU23441810	Tubo porta pedana sx	1	
30	GU23441210	Piastra aggancio pedana	2	
31	GU98054314	Vite	2	
32	GU91180602	Distanziale	2	
33	GU95129130	Rosetta elastica	2	
34	GU23442210	Perno	2	
35	GU95401215	Copiglia	2	
36	GU95000208	Rosetta	2	
37	GU23441110	Molla	2	
38	GU95021110	Rosetta dentellata	4	

Assembly	TELAIO
Code	33.29
Description	Alimentazione
Revision	1



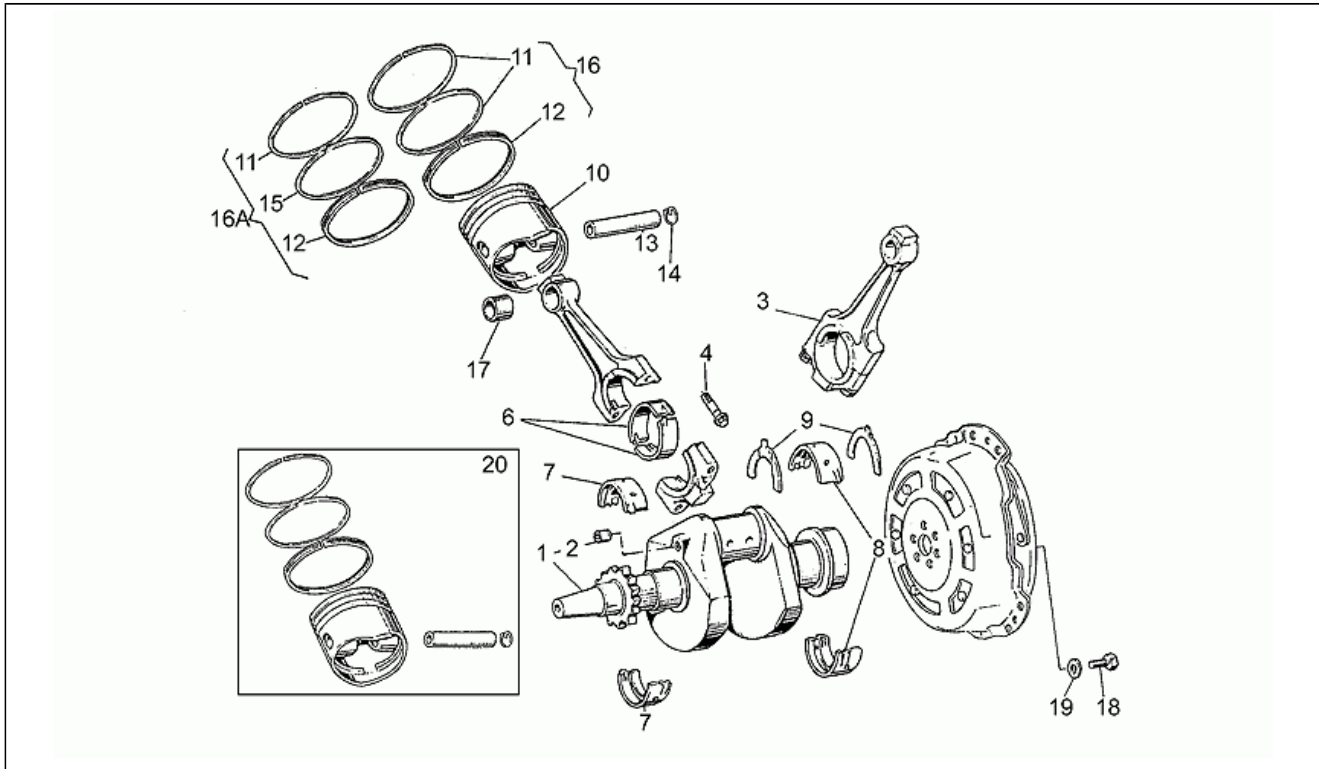
Pos.	Code	Description	Q.ty	Variants
1	GU23112674	Carburatore dx PHBH 30BD	1	
1	GU23112676	Carburatore dx PHBH 30BD	1	Anno: 1992[N] Paese:Germania[D]
2	GU23112675	Carburatore sx PHBH 30BS	1	
2	GU23112677	Carburatore sx PHBH 30BS	1	Anno: 1992[N] Paese:Germania[D]
3	GU23115070	Collettore aspirazione dx	1	
4	GU23115071	Collettore aspirazione sx	1	
5	GU19115580	Guarnizione	2	
6	GU98310611	Vite TB speciale	2	
7	GU95100116	Rosetta 6,25x10x1,5	2	
8	GU98812325	Vite	4	
9	GU61013800	Rosetta speciale	4	
10	GU19114360	Manicotto	2	Specifiche Tecniche:Di serie[std]
10	GU23114071	Manicotto mm 16	2	Paese:Germania[D]
11	GU93305032	Fascetta 32X52X8	4	
12	GU19114680	Anello di tenuta	2	
13	GU19114460	Manicotto presa aria	2	
14	GU23133100	Starter	1	Specifiche Tecniche:Comandi Magura[CM]
15	GU19133560	Cavo starter carb.dx	1	Specifiche Tecniche:Comandi Magura[CM]
16	GU19134000	Cavo starter carb.sx	1	Specifiche Tecniche:Comandi Magura[CM]
17	GU19718000	Fascetta	2	
18	GU93305045	Fascetta	2	
19	GU93305052	Fascetta	2	

Assembly	TELAIO
Code	33.36
Description	Gruppo scarico
Revision	1



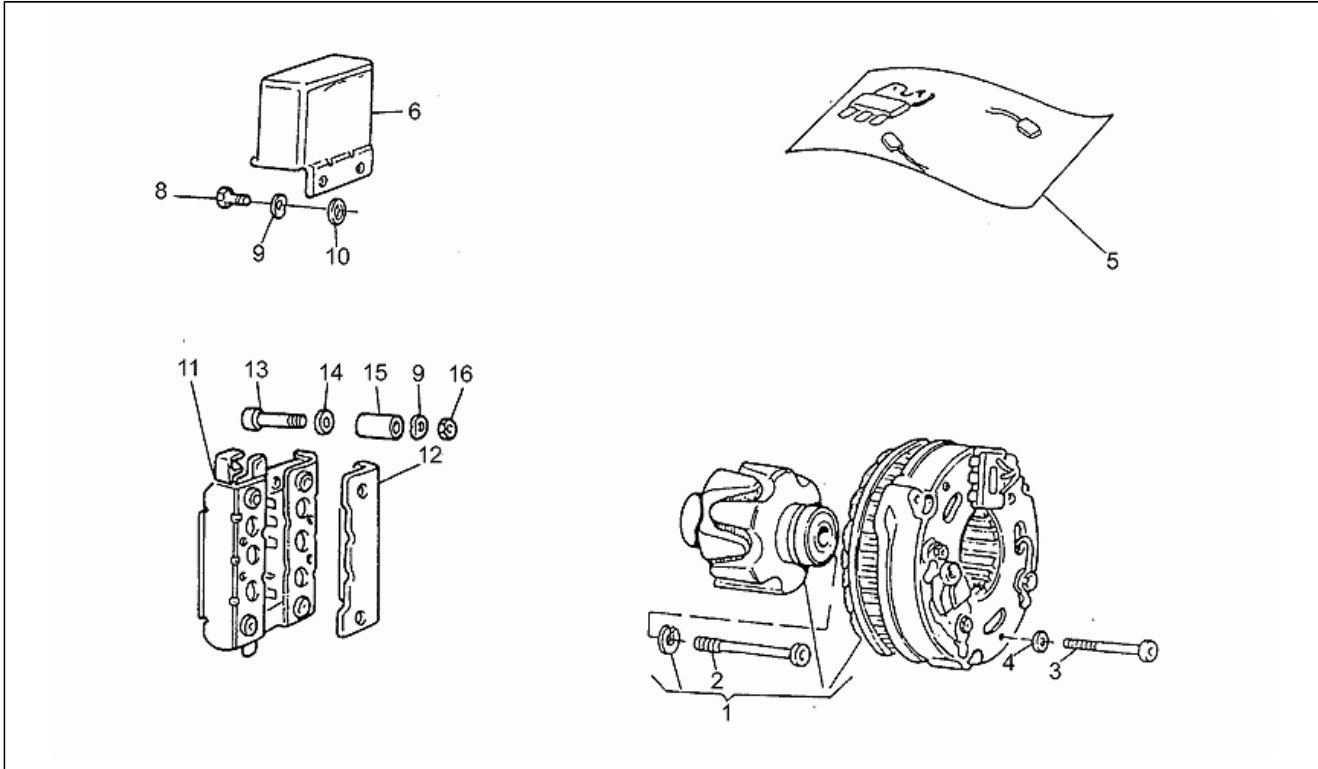
Pos.	Code	Description	Q.ty	Variants
1	GU23120770	Tubo scarico dx	1	
2	GU23120771	Tubo scarico sx	1	
3	GU23121110	Tubo	1	
4	GU23126910	Fascetta	2	
5	GU19025280	Guarnizione	2	
6	GU19025460	Distanziale	4	
7	GU19121050	Ghiera scarico	2	
8	GU61013800	Rosetta speciale	4	
9	GU92701062	Dado	4	
10	GU23122910	Silenziatore sx	1	
11	GU23123010	Silenziatore dx	1	
12	GU29123450	Fascetta	2	
13	GU23128610	Piastra dx	1	
14	GU23128710	Piastra sx	1	
15	GU61270300	Rosetta elastica 8x15x0,3	4	
16	GU92602208	Dado M8X1,25	4	
17	GU98622425	Vite TCEI M8X25	2	
18	GU14615901	Rosetta 8,4X13X0,8	4	
19	GU92660008	Dado	2	
20	GU23127670	Riduzione	2	Anno: 1986[G] Paese: Germania[D] Specifiche Tecniche: Versione 20Kw[20KW]

Assembly	MOTORE
Code	34.28
Description	Albero motore
Revision	1



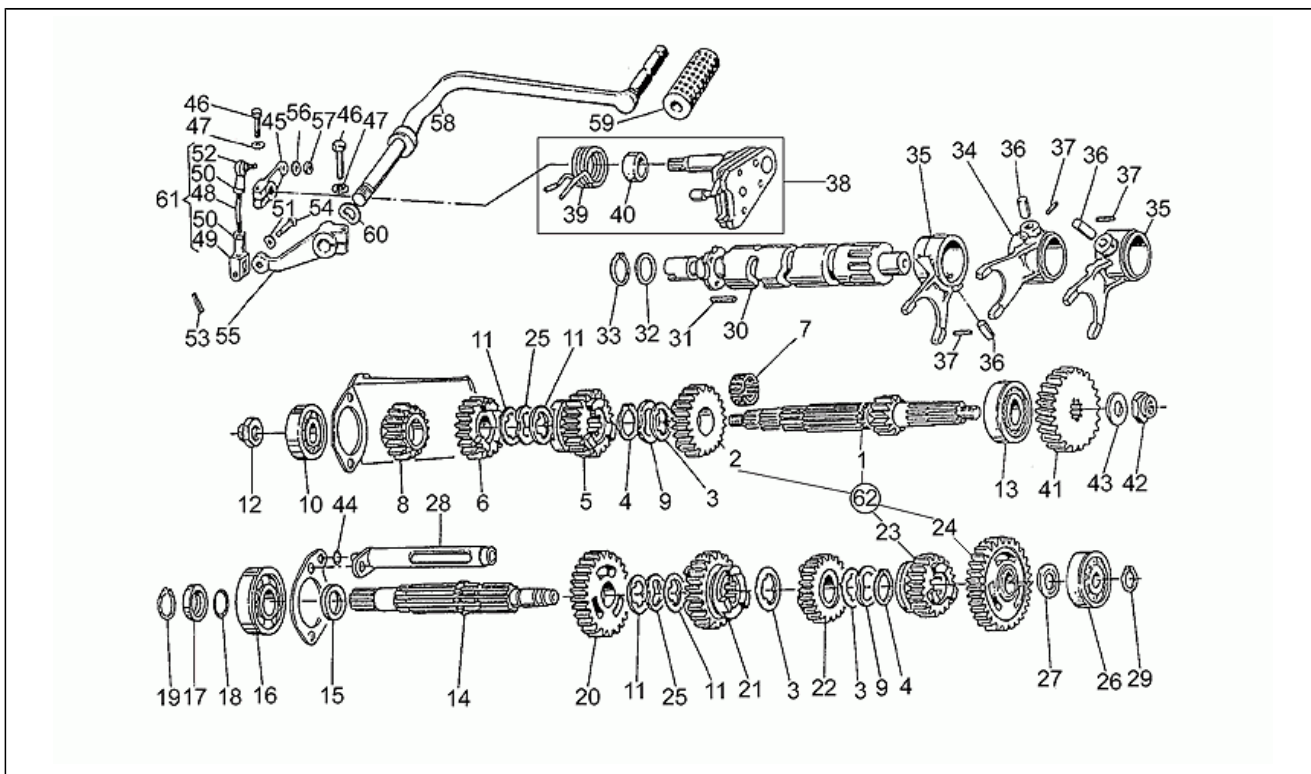
Pos.	Code	Description	Q.ty	Variants
1	GU19064161	Albero motore	1	
2	GU19065400	Tappo	1	
3	GU19061561	Biella	2	
4	GU19062261	Vite	4	
6	GU27062060	Semiguscio bronzina	4	
7	GU27065660	Semiguscio bronzina ant.	2	
8	GU27066560	Semiguscio bronzina post.	2	
9	GU27066460	Semirosetta	2	
10	GU19060469	Pistone	2	
10	GU23060471	Pistone	2	Specifiche Tecniche: Dal telaio PG19652[T6]
11	GU19060763	Fascia elastica cava 1a	4	
12	GU19061063	Fascia raschiaolio	2	
13	GU19061263	Spinotto	2	
14	GU19061363	Anello di fermo	4	
15	GU27060860	Fascia elastica cava 2a	2	
16	GU19060663	Kit fasce elastiche	2	Specifiche Tecniche: Fino al telaio PG19267[T3]
16	GU31060616	Kit fasce elastiche	2	Specifiche Tecniche: Dal telaio PG19268[T4]
17	GU19061860	Bronzina	2	
18	GU19067700	Vite	6	
19	GU14615901	Rosetta 8,4X13X0,8	6	
20	GU23060271	Pistone cpl.	2	Specifiche Tecniche: Dal telaio PG19652[T6]

Assembly	MOTORE
Code	34.30
Description	Alternatore-regolatore Bosch
Revision	1



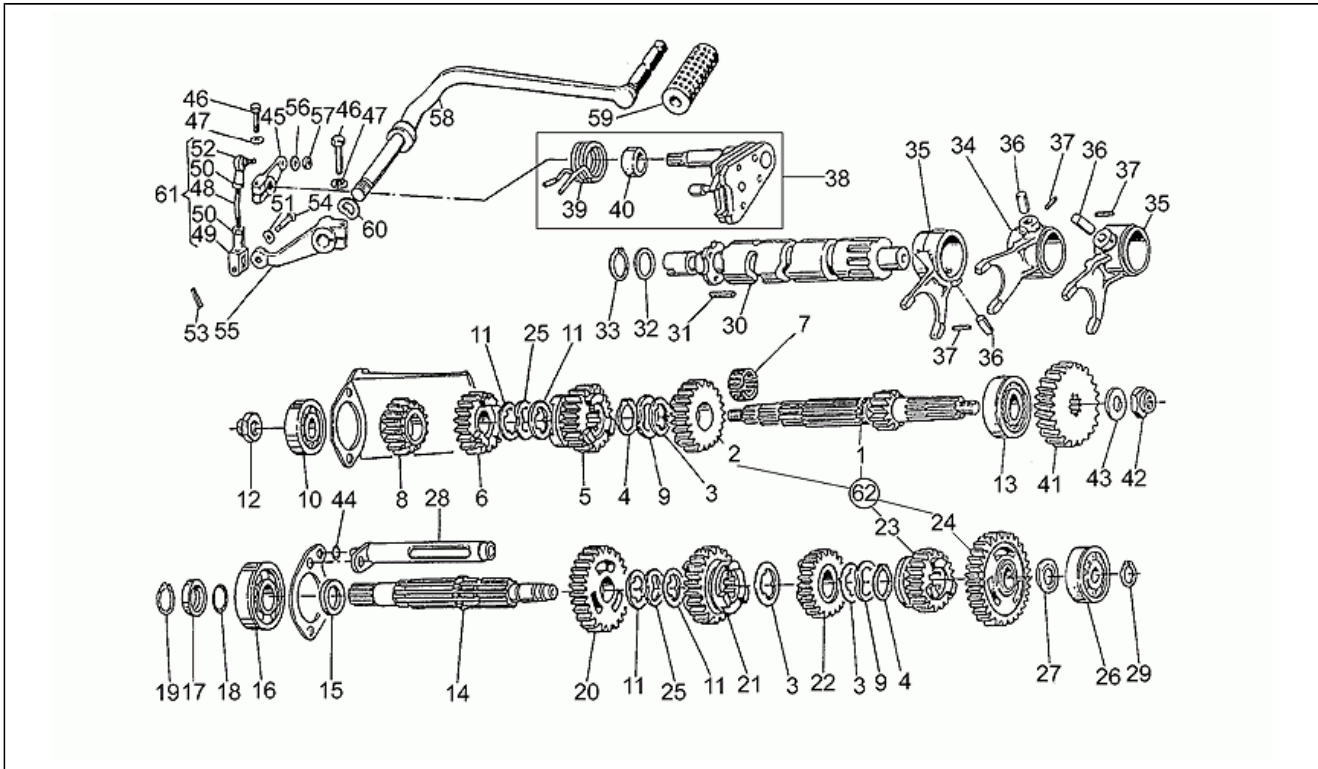
Pos.	Code	Description	Q.ty	Variants
1	GU17712400	Alternatore Bosch	1	Specifiche Tecniche: Bosch[B]
2	GU14712459	Vite	1	
3	GU98620245	Vite TCEI M5X45	3	
4	GU95021105	Rosetta dentellata	3	
5	GU17719900	kit riparazione	1	
6	GU29703800	Regolatore di tensione BOSCH	1	Specifiche Tecniche: Bosch[B]
8	GU98054214	Vite	4	
9	GU95129100	Rosetta elastica 5,3X10X0,5	8	
10	GU91180605	Distanziale	2	
11	GU17704300	Raddrizzatore Bosch	1	Specifiche Tecniche: Bosch[B]
12	GU14704205	Coperchio	1	
13	GU98052245	Vite	4	
14	GU95100141	Rosetta 6,4x12x1,2	2	
15	GU91180627	Distanziale	4	
16	GU92602205	Dado	4	

Assembly	MOTORE
Code	34.31
Description	Cambio
Revision	1



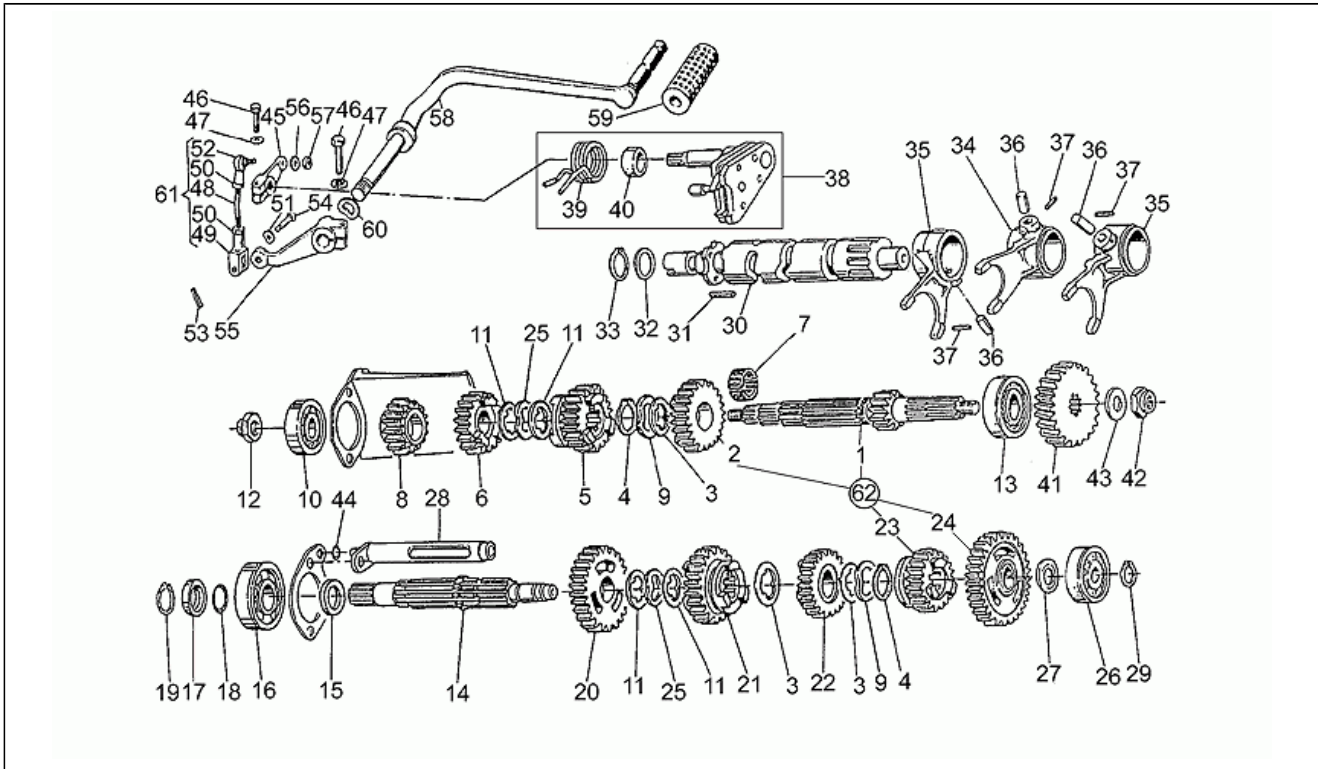
Pos.	Code	Description	Q.ty	Variants
1	GU19210561	Albero primario Z=11	1	Specifiche Tecniche:Fino al cambio GP4191[C1]
1	GU23210570	Albero primario Z=11	1	Specifiche Tecniche:Dal cambio GP4192[C2]
2	GU19212061	Ingranaggio 5a AP Z=20	1	Specifiche Tecniche:Fino al cambio GP4191[C1]
2	GU23212070	Ingranaggio 5a AP Z=20	1	Specifiche Tecniche:Dal cambio GP4192[C2]
3	GU19215460	Rosetta di rasamento	3	
4	GU90271127	Anello Seeger	2	
5	GU19211861	Ingranaggio 4a AP Z=18	1	
6	GU19211460	Ingranaggio 3a AP Z=18	1	
7	GU92251023	Gabbia a rulli	1	
8	GU19211361	Ingranaggio 2a AP Z=14	1	
9	GU19218062	Rosetta ondulata	2	
10	GU92218417	Cuscinetto AP 17x40x17,5	1	
11	GU19214660	Rosetta di spallamento	4	
12	GU10054100	Dado di sicurezza	1	
13	GU92230320	Cuscinetto AP 20x37x17	1	
14	GU19213661	Albero secondario	1	
15	GU19212900	Distanziale	1	
16	GU92201220	Cuscinetto 20X47X14	1	
17	GU19213720	Distanziale	1	
18	GU90706188	Anello di tenuta 18,77X1,78	1	
19	GU90271121	Anello Seeger	1	
20	GU23214571	Ingranaggio 2a AS Z=23	1	
21	GU19214860	Ingranaggio 3a AS Z=23	1	
22	GU19215161	Ingranaggio 4a AS Z=19	1	
23	GU19215261	Ingranaggio 5a AS Z=18	1	Specifiche Tecniche:Fino al cambio GP4191[C1]
23	GU23215270	Ingranaggio 5a AS Z=18	1	Specifiche Tecniche:Dal cambio GP4192[C2]
24	GU19214063	Ingranaggio 1a AS Z=26	1	Specifiche Tecniche:Fino al cambio GP4191[C1]
24	GU23214071	Ingranaggio 1a AS Z=26	1	Specifiche Tecniche:Dal cambio GP4192[C2]

Assembly	MOTORE
Code	34.31
Description	Cambio
Revision	1



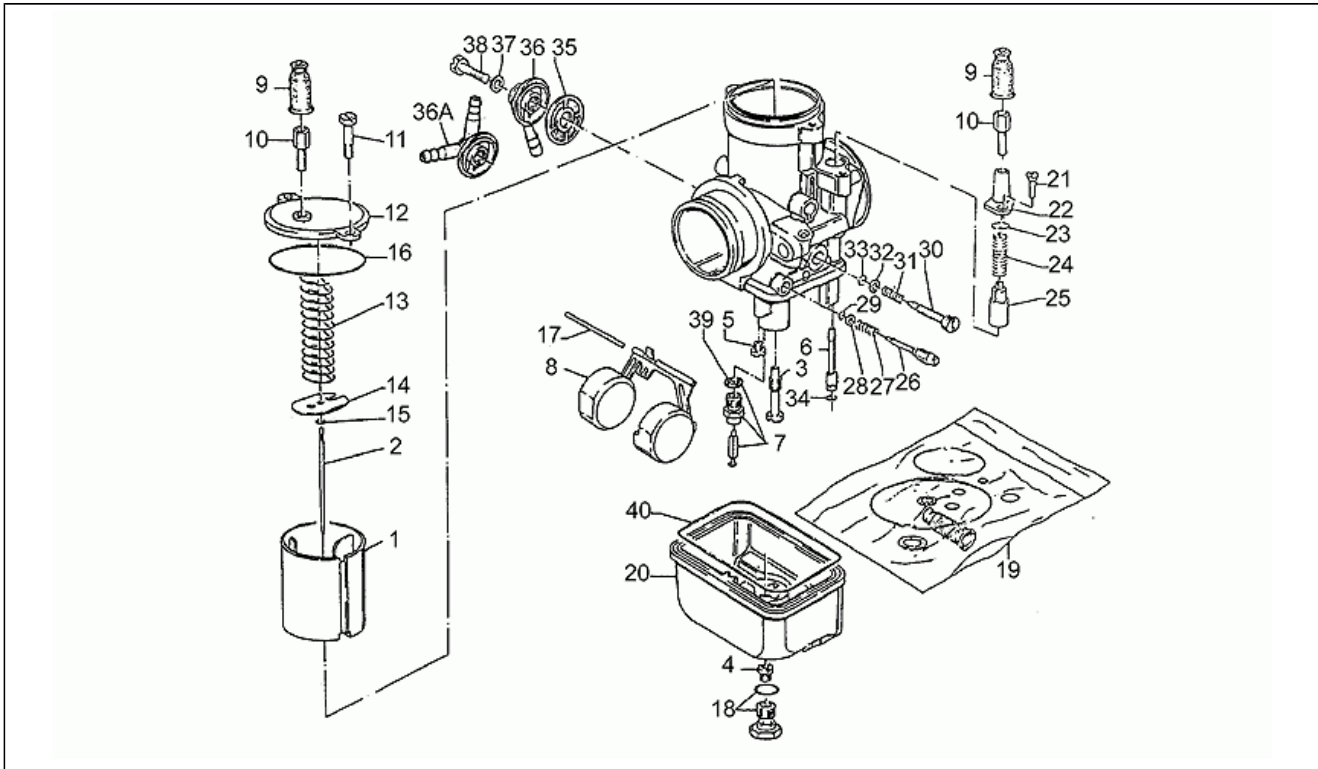
Pos.	Code	Description	Q.ty	Variants
25	GU19218061	Rosetta ondulata	2	
26	GU92234716	Cuscinetto	1	
27	GU10214301	Spessore 1,7 mm	1	
27	GU10214302	Spessore 1,8 mm	1	
27	GU10214303	Spessore 1,9 mm	1	
27	GU10214304	Rosetta 2 mm	1	
27	GU10214305	Spessore 2,1 mm	1	
28	GU23202074	Sgocciolatoio	1	
29	GU90271117	Anello Seeger	1	
30	GU19234420	Desmodromico	1	
31	GU19234600	Piolo	4	
32	GU19355360	Rosetta	1	
33	GU90271020	Anello elastico	1	
34	GU19231220	Forchetta AP	1	
35	GU19231020	Forchetta AS	2	
36	GU92297909	Rullo	3	
37	GU95520316	Spina	3	
38	GU20999520	Kit preselettore	1	Specifiche Tecniche: Vedi notiziario ricambi n.013 del 1997[01397N]
39	GU28238261	Molla richiamo selettore	1	Specifiche Tecniche: Vedi notiziario ricambi n.013 del 1997[01397N]
39	GU61238200	Molla richiamo selettore	1	
40	GU20208520	Distanziale	1	Specifiche Tecniche: Vedi notiziario ricambi n.013 del 1997[01397N]
40	GU91182010	Boccola	1	
41	GU19211160	Ingranaggio Z=22	1	
42	GU10054100	Dado di sicurezza	1	
43	GU39238100	Rosetta di spallamento	1	
44	GU90706040	O-ring	1	

Assembly	MOTORE
Code	34.31
Description	Cambio
Revision	1



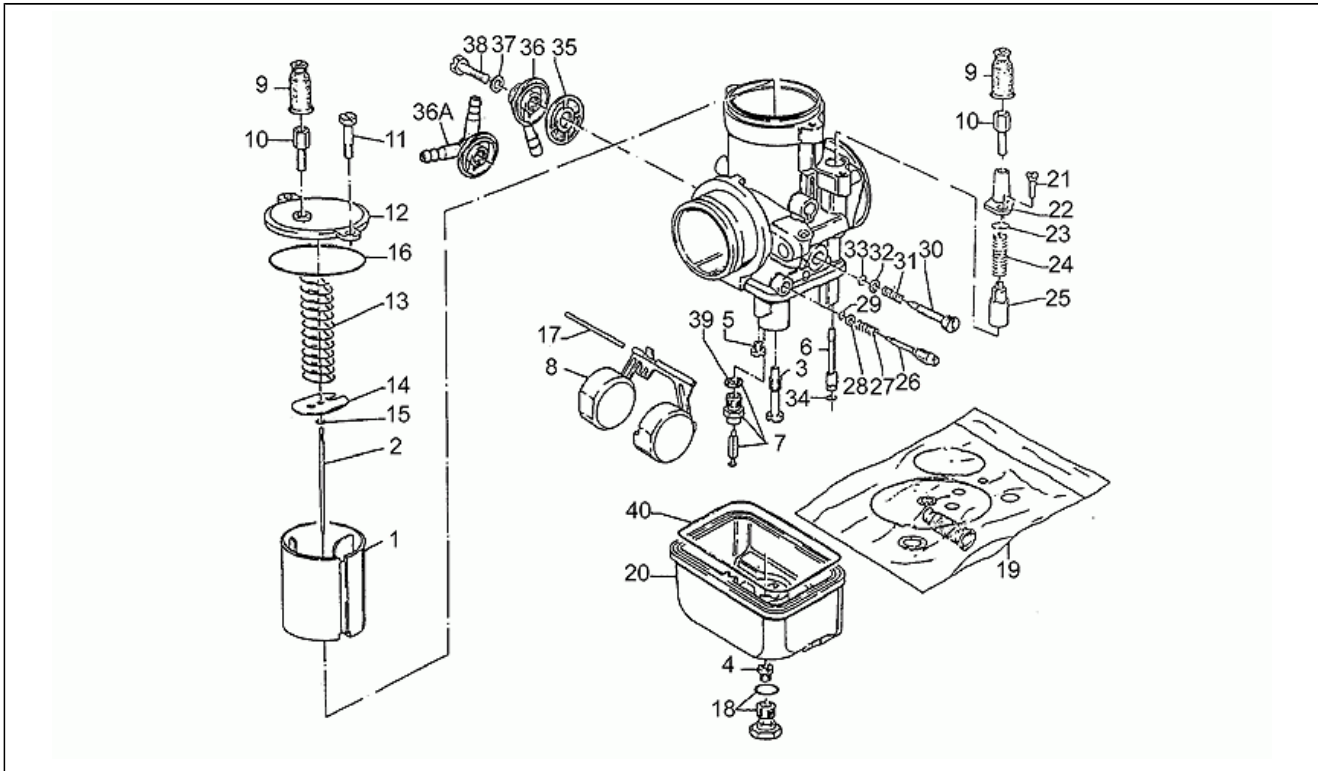
Pos.	Code	Description	Q.ty	Variants
45	GU19258220	Leva preselettore	1	
46	GU98052325	Vite	2	
47	GU95021106	Rosetta dentellata	2	
48	GU18257950	Tirante	1	
49	GU12626800	Forchetta	1	
50	GU92602206	Dado	2	
51	GU95129110	Rosetta antivibrante	1	
52	GU18258101	Snodo sferico	1	
53	GU95500222	Copiglia	1	
54	GU95770265	Spina	1	
55	GU19256920	Leva rinvio	1	
56	GU61013800	Rosetta speciale	1	
57	GU92630106	Dado M6x1	1	
58	GU19250900	Leva cambio cpl.	1	
59	GU14251001	Gommino	1	
60	GU95129260	Rosetta elastica	1	
61	GU19257701	Tirante cpl.	1	
62	GU23210170	Kit modifica flangia	1	Specifiche Tecniche: Dal cambio GP4192[C2]

Assembly	MOTORE
Code	34.32
Description	Carburatori
Revision	1



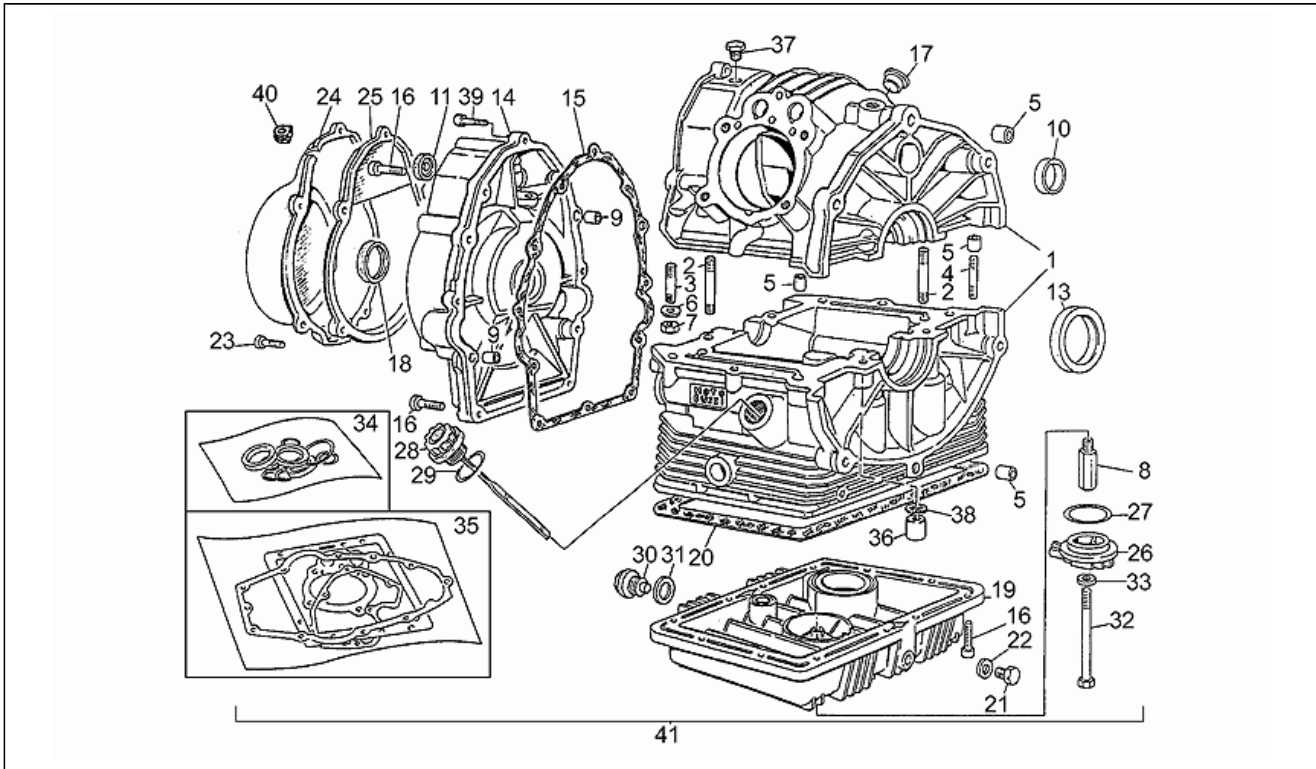
Pos.	Code	Description	Q.ty	Variants
1	GU19934860	Valvola gas 40	2	Anno: 1992[N] Paese:Germania[D]
1	GU23934870	Valvola gas 45	2	
2	GU19934960	Spillo conico 8	2	
2	GU31934962	Spillo conico X80 2a	2	Anno: 1992[N] Paese:Germania[D]
3	GU19935580	Polverizzatore 268T	2	
3	GU31935562	Polverizzatore 264T1	2	Anno: 1992[N] Paese:Germania[D]
4	GU19935700	Getto massimo 102	2	Anno: 1992[N] Paese:Germania[D]
4	GU19935750	Getto massimo 105	2	
4	GU23935770	Getto massimo 70	2	Anno: 1986[G] Paese:Germania[D]
5	GU27935960	Getto minimo 38	2	
6	GU19936000	Getto avviamento 60	2	
7	GU19934600	Valvola a spillo	2	
8	GU27934315	Galleggiante gr.9,5	2	
9	0000000	Copertura 110/90"	4	Specifiche Tecniche:Ordinare 000199399800[E3]
10	GU12937200	Vite tendifilo	4	
11	GU14934650	Vite	2	
12	GU19935080	Coperchio	2	
13	GU19937180	Molla richiamo valvola gas	2	
14	GU19938580	Piastrina	2	
15	GU65933600	Fermaglio spillo conico	2	
16	0000000	Copertura 110/90"	2	Specifiche Tecniche:Ordinare 000199399800[E3]
17	GU13933100	Perno galleggiante	2	
18	GU27933720	Tappo fissaggio vaschetta	2	
19	GU19939980	Kit guarnizioni	1	

Assembly	MOTORE
Code	34.32
Description	Carburatori
Revision	1



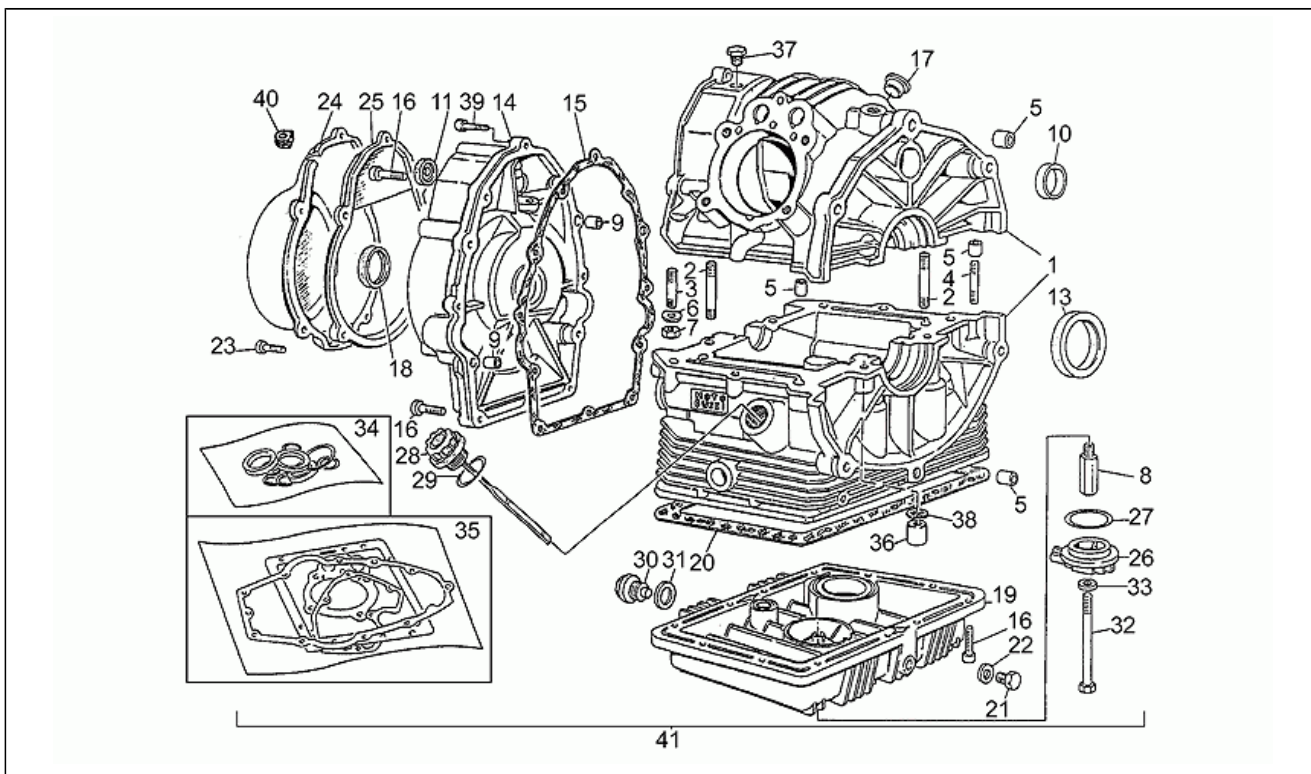
Pos.	Code	Description	Q.ty	Variants
20	GU19934480	Vaschetta alluminio	2	
20	GU31934460	Vaschetta plastica	2	Specifiche Tecniche: Vedi notiziario ricambi n.033 del 1999[03399N]
21	GU13937900	Vite	2	
22	GU17937450	Coperchio avviamento	2	
23	0000000	Copertura 110/90"	2	Specifiche Tecniche: Ordinare 000199399800[E3]
24	GU39937600	Molla valvola	2	
25	GU13937800	Valvola avviamento	2	
26	GU13936200	Vite regolazione minimo	2	
27	GU13936300	Molla	2	
28	GU65933700	Rondella piana	2	
29	0000000	Copertura 110/90"	2	Specifiche Tecniche: Ordinare 000199399800[E3]
30	GU13936600	Vite regolaz.valvola gas	2	
31	GU13936700	Molla	2	
32	GU14931650	Rondella piana	2	
33	0000000	Copertura 110/90"	2	Specifiche Tecniche: Ordinare 000199399800[E3]
34	0000000	Copertura 110/90"	2	Specifiche Tecniche: Ordinare 000199399800[E3]
35	GU43934000	Filtro benzina	2	
36	GU13934600	Pipetta raccordo tubo benzina	2	Specifiche Tecniche: Prima serie[1A]
36	GU31934680	Pipetta raccordo tubo benzina	2	Specifiche Tecniche: Seconda serie[2A]
37	GU13934700	Guarnizione vite	2	
38	GU10934900	Vite fissaggio pipetta	2	
39	0000000	Copertura 110/90"	2	Specifiche Tecniche: Ordinare 000199399800[E3]
40	0000000	Copertura 110/90"	2	Specifiche Tecniche: Ordinare 000199399800[E3]

Assembly	MOTORE
Code	34.33
Description	Carter motore
Revision	1



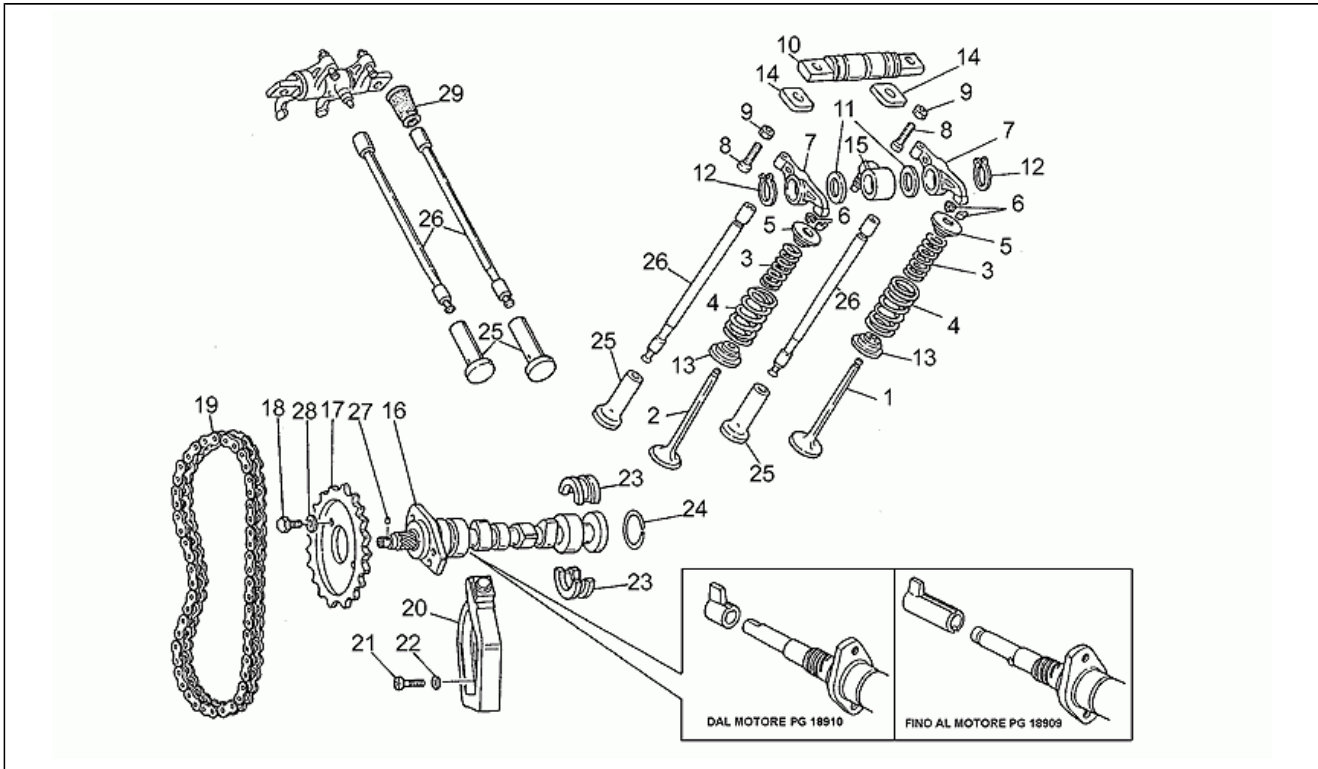
Pos.	Code	Description	Q.ty	Variants
1	GU31000331	Carter motore	1	
2	GU96451560	Prigioniero	4	
3	GU96451430	Prigioniero	4	
4	GU96508055	Prigioniero	2	
5	GU19015020	Boccola	4	
6	GU61270300	Rosetta elastica 8x15x0,3	6	
7	GU92601208	Dado	6	
8	GU19003800	Raccordo	1	
9	GU19002020	Boccola 6,6x9x13	2	
10	GU19016320	Tappo	1	
11	GU90401530	Anello di tenuta	1	
13	GU90405367	Anello di tenuta	1	
14	GU31001431	Coperchio distribuzione	1	
15	GU19001200	Guarnizione	1	
16	GU98610325	Vite	22	
17	GU19017120	Tappo	1	
18	GU90402038	Anello di tenuta	1	Specifiche Tecniche: Generatore Saprisa[GS]
18	GU90402840	Anello di tenuta 28x38x7	1	Specifiche Tecniche: Generatore Bosch[GB]
19	GU23003510	Coppa olio motore	1	Specifiche Tecniche: Fino al motore PG17799[M3]
19	GU31003531	Coppa olio motore	1	Specifiche Tecniche: Da motore PG17800[M4]
20	GU19003602	Guarnizione	1	
21	GU31003766	Tappo scarico olio	1	
21	GU95980213	Tappo olio	1	
22	GU10528900	Guarnizione in alluminio	1	
23	GU98610335	Vite TCEI	5	
24	GU27001636	Coperchio generatore	1	
25	GU27001136	Flangia coperchio alternatore	1	
26	GU31003431	Coperchietto	1	

Assembly	MOTORE
Code	34.33
Description	Carter motore
Revision	1



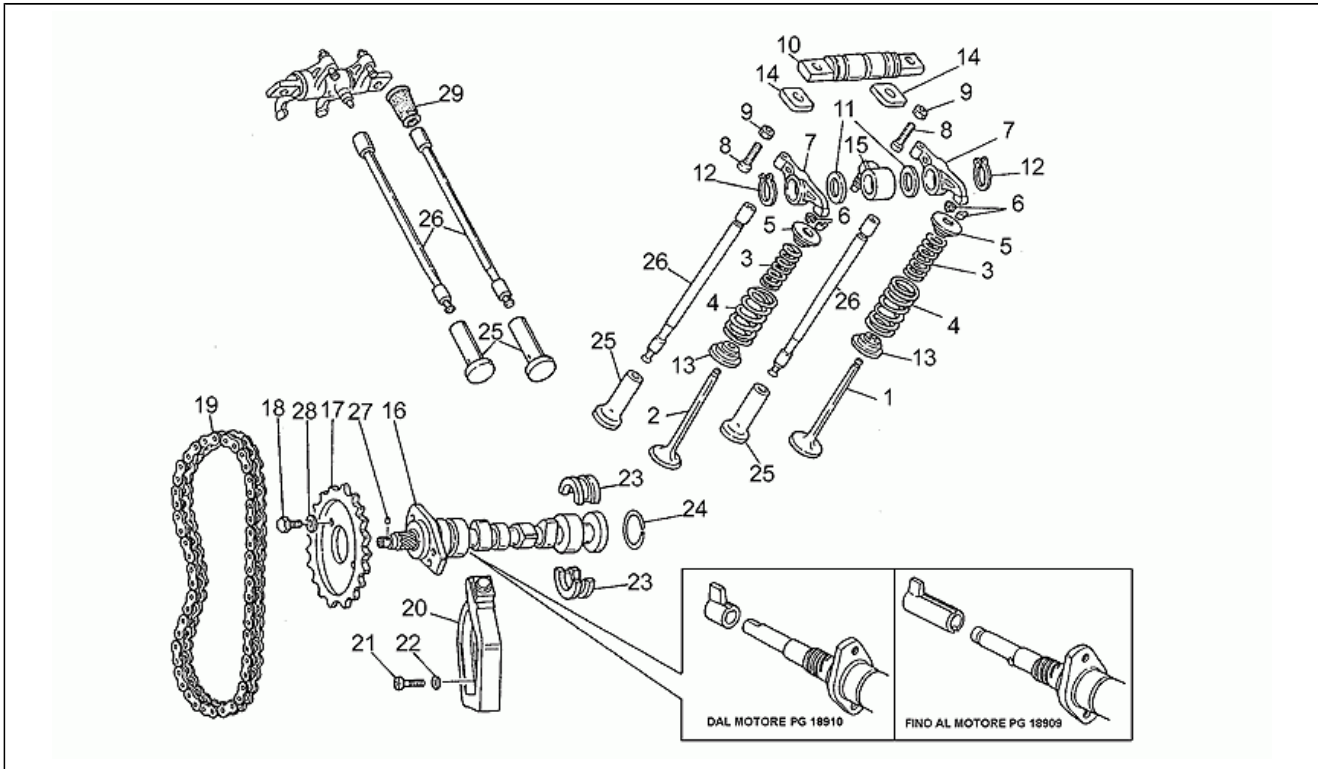
Pos.	Code	Description	Q.ty	Variants
27	GU90706444	Anello OR	1	
28	GU19004920	Tappo alimentazione olio	1	Specifiche Tecniche: Fino al motore PG17799[M3]
28	GU27004985	Tappo carico olio	1	Specifiche Tecniche: Da motore PG17800[M4]
29	GU90706282	Anello di tenuta	1	
30	GU28004950	Tappo alimentazione olio	1	
31	GU95100709	Guarnizione 20,1x28x2	1	
32	GU27152885	Bullone	1	Specifiche Tecniche: Da motore PG17800[M4]
32	GU98072490	Bullone	1	Specifiche Tecniche: Fino al motore PG17799[M3]
33	GU12154200	Guarnizione 8,25x15x1	1	
34	GU31999565	Paraoli-serie	1	
35	GU27999060	Guarnizioni-serie	1	
36	GU13021900	Dado a colonna	4	
37	GU19015460	Tappo	1	
38	GU95129180	Rosetta 10,5X18X0,8	4	
39	GU98610330	Vite M6x30	2	
40	GU19007700	Gommino	1	
41	GU23991070	Motore s.za cambio	1	

Assembly	MOTORE
Code	34.34
Description	Distribuzione
Revision	1



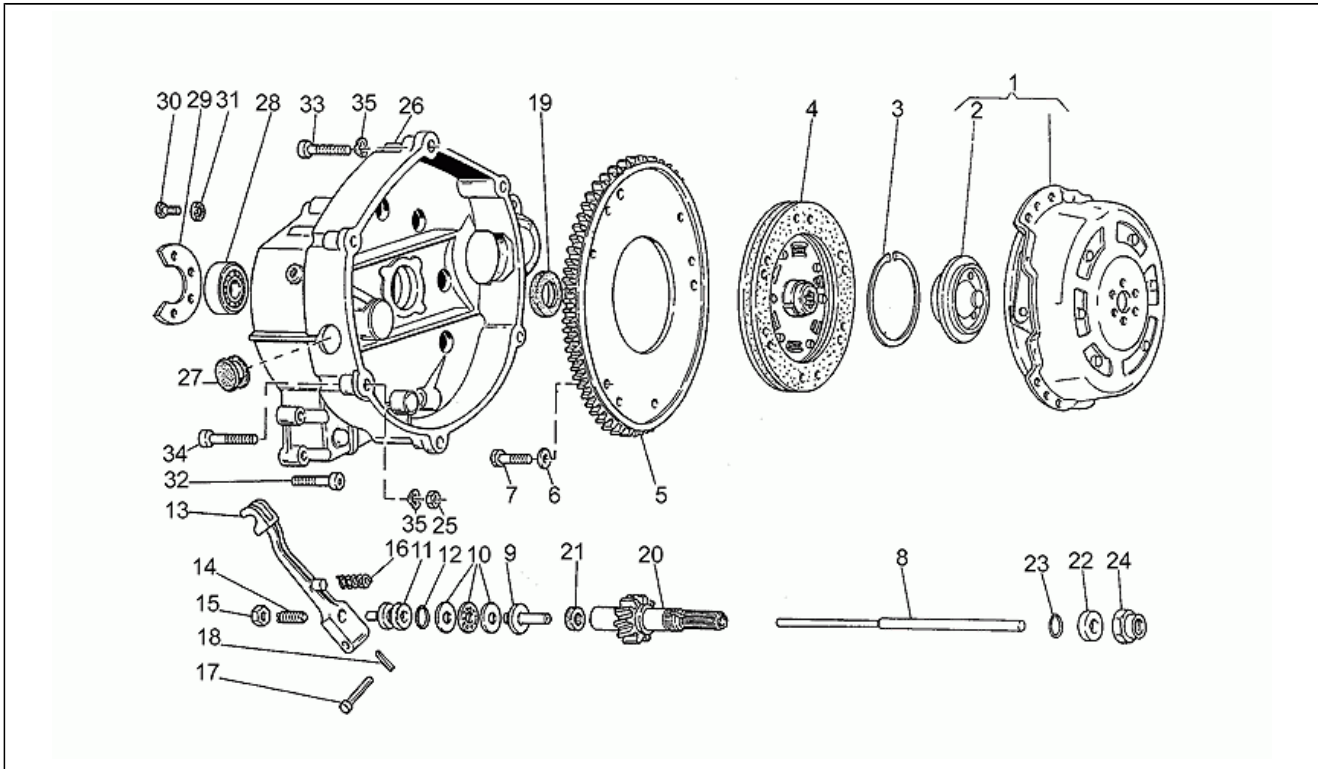
Pos.	Code	Description	Q.ty	Variants
1	GU19036082	Valvola aspirazione	2	
2	GU19036183	Valvola scarico	2	
3	GU61037600	Molla	4	
4	GU27037521	Molla	4	Specifiche Tecniche:Passo variabile[PV]
4	GU61037500	Molla	4	Specifiche Tecniche:Passo fisso[PF]
5	GU31038015	Piattello sup.	4	Specifiche Tecniche:Passo variabile[PV]
5	GU61038000	Piattello sup.	4	Specifiche Tecniche:Passo fisso[PF]
6	GU61038100	Semicono	8	
7	GU19030500	Bilanciere	4	
8	GU19034000	Vite	4	
9	GU92602406	Dado M6x1	4	
10	GU19032080	Perno bilanciere	2	
11	GU19032380	Rosetta di rasamento	4	
12	GU90271018	Anello Seeger	4	
13	GU31037015	Piattello inf.	4	Specifiche Tecniche:Passo variabile[PV]
13	GU61037000	Piattello inf.	4	Specifiche Tecniche:Passo fisso[PF]
14	GU19032980	Spessore	4	
15	GU19027500	Manicotto	2	
16	GU27053362	Albero a camme	1	Specifiche Tecniche:Fino al telaio PG18909[T5]
16	GU27053463	Albero a camme	1	Specifiche Tecniche:Dal telaio PG18910[T7]
17	GU19054521	Ingran.distribuz.	1	
18	GU61054900	Bullone	2	
19	GU19058021	Catena distribuzione	1	
20	GU19058220	Tendicatena distribuzione	1	
21	GU98822316	Vite	1	
22	GU95129115	Rosetta	1	
23	GU19055700	Settore fermo	2	
24	GU90353029	Anello elastico	1	

Assembly	MOTORE
Code	34.34
Description	Distribuzione
Revision	1



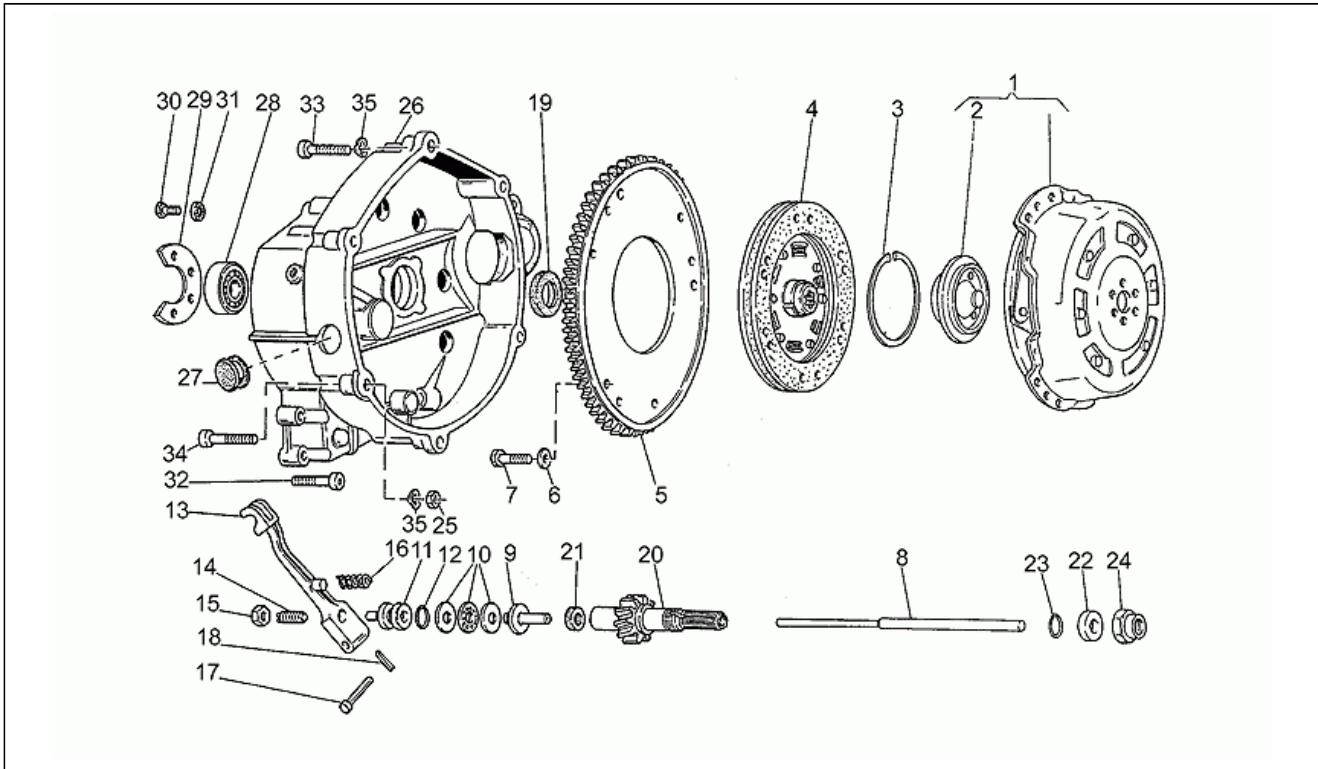
Pos.	Code	Description	Q.ty	Variants
25	GU19045861	Punteria	4	
26	GU19045060	Asta bilanciata	4	
27	GU95512035	Rullo	1	
28	GU23217800	Rosetta di sicurezza	2	
29	GU27045420	Cappuccio	4	

Assembly	MOTORE
Code	34.35
Description	Frizione
Revision	1



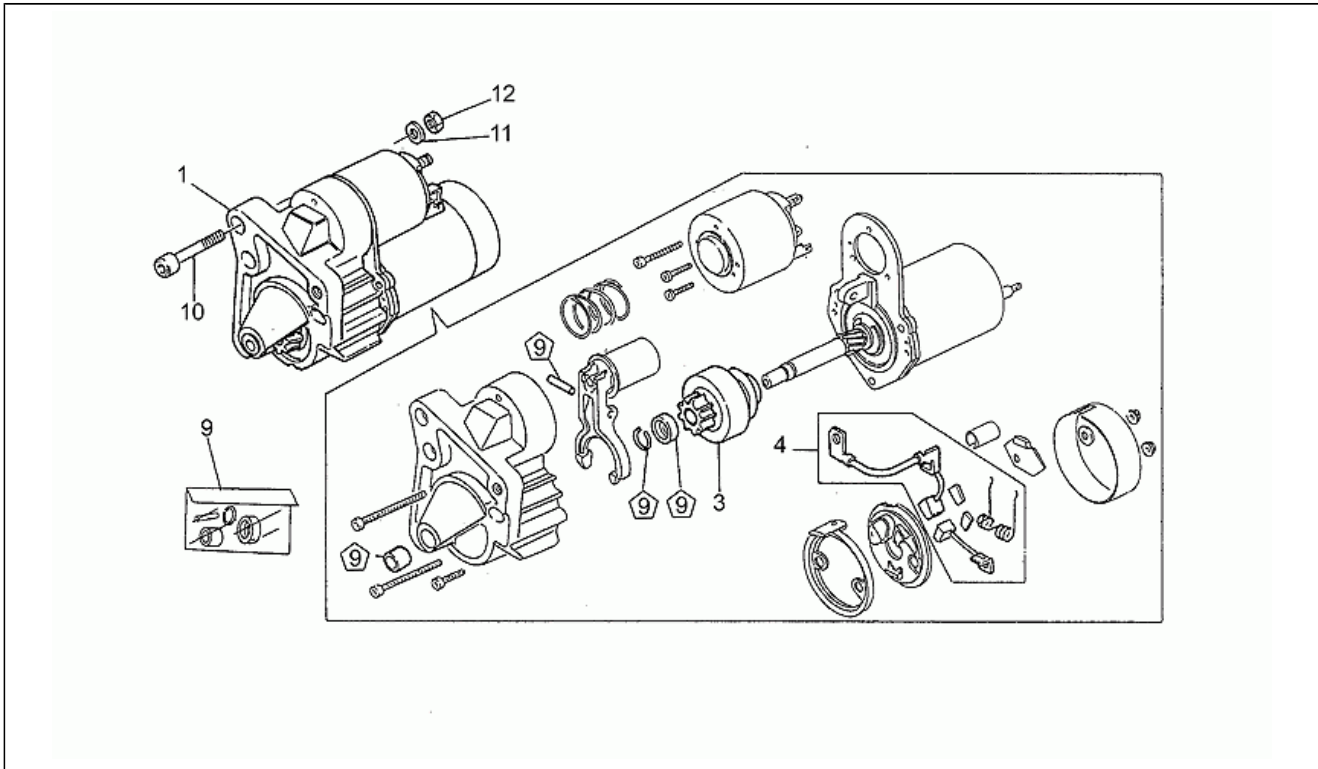
Pos.	Code	Description	Q.ty	Variants
1	GU27080160	Frizione AP	1	
2	GU19083462	Scodellino frizione	1	
3	GU90272075	Anello elastico	1	
4	GU27084460	Disco frizione condotto	1	
5	GU19067900	Corona MOTOPLAT	1	
6	GU14217901	Rosetta zigrinata 6,4x10x0,7	6	
7	GU98054316	Vite TE	6	
8	GU20085720	Asta spingipiatello	1	
9	GU14086000	Corpo intermedio	1	
10	GU12087001	Cuscinetto reggispinta	1	
11	GU14086100	Corpo esterno	1	
12	GU90706170	O-ring 17,13x2,62	1	
13	GU14090201	Leva disinnesto frizione	1	
14	GU14090400	Vite registro	1	
15	GU92602508	Dado M8X1	1	
16	GU94321105	Molla ritorno leva	1	
17	GU95780271	Spina 7x39	1	
18	GU95500222	Copiglia	1	
19	GU90403245	Anello di tenuta	1	
20	GU19210760	Albero di rinvio Z=15	1	
21	GU90400616	Anello di tenuta 6x16x7	1	
22	GU19213760	Distanziale	1	
23	GU90706235	O-ring 23,52x1,78	1	
24	GU19356760	Dado di sicurezza	1	
25	GU92602208	Dado M8X1,25	1	
26	GU23200472	Campana frizione	1	
27	GU93180220	Tappo	1	
28	GU92201225	Cuscinetto 25x52x15	1	

Assembly	MOTORE
Code	34.35
Description	Frizione
Revision	1



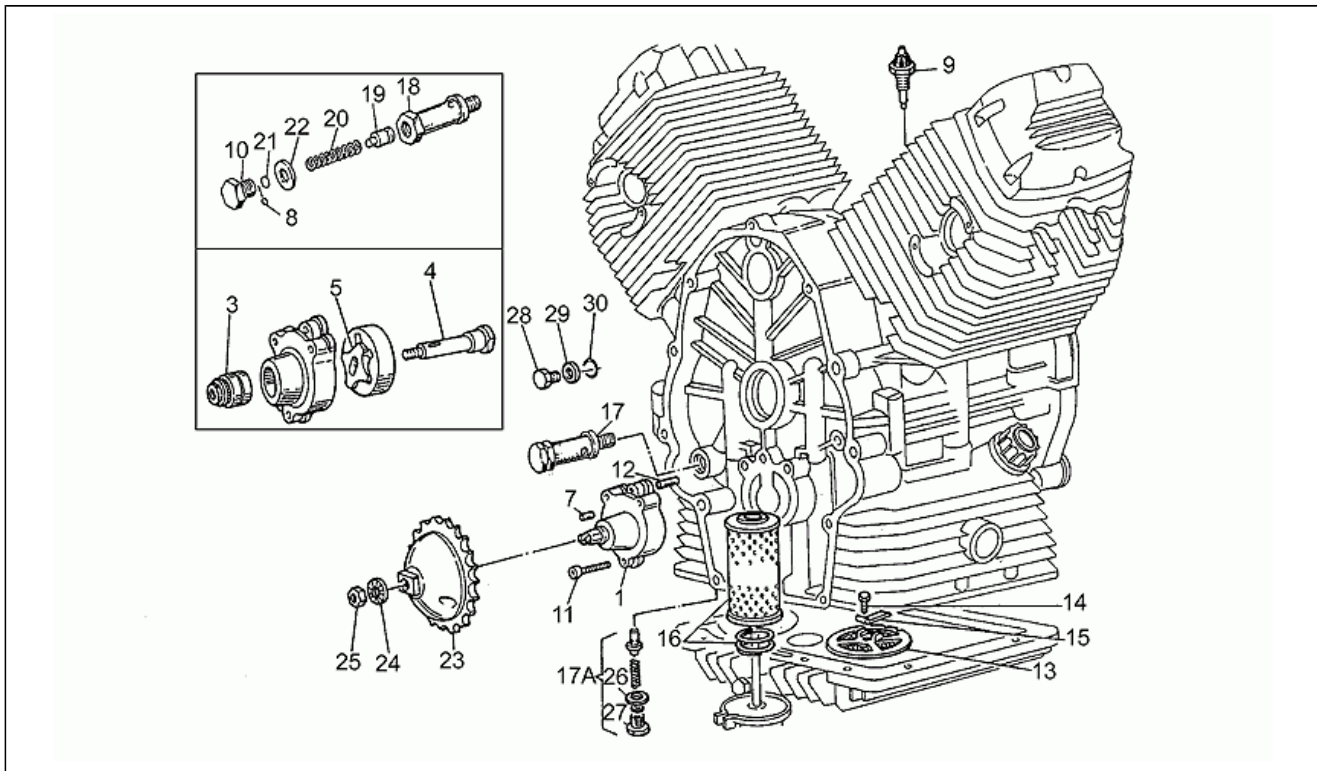
Pos.	Code	Description	Q.ty	Variants
29	GU19203460	Piastra fissaggio cuscinetto	1	
30	GU98054314	Vite	3	
31	GU14217901	Rosetta zigrinata 6,4x10x0,7	3	
32	GU98620330	Vite	11	
33	GU98620435	Vite M8X35	5	
34	GU98620450	Vite	1	
35	GU61270300	Rosetta elastica 8x15x0,3	6	

Assembly	MOTORE
Code	34.37
Description	Motorino avviamento Valeo
Revision	1



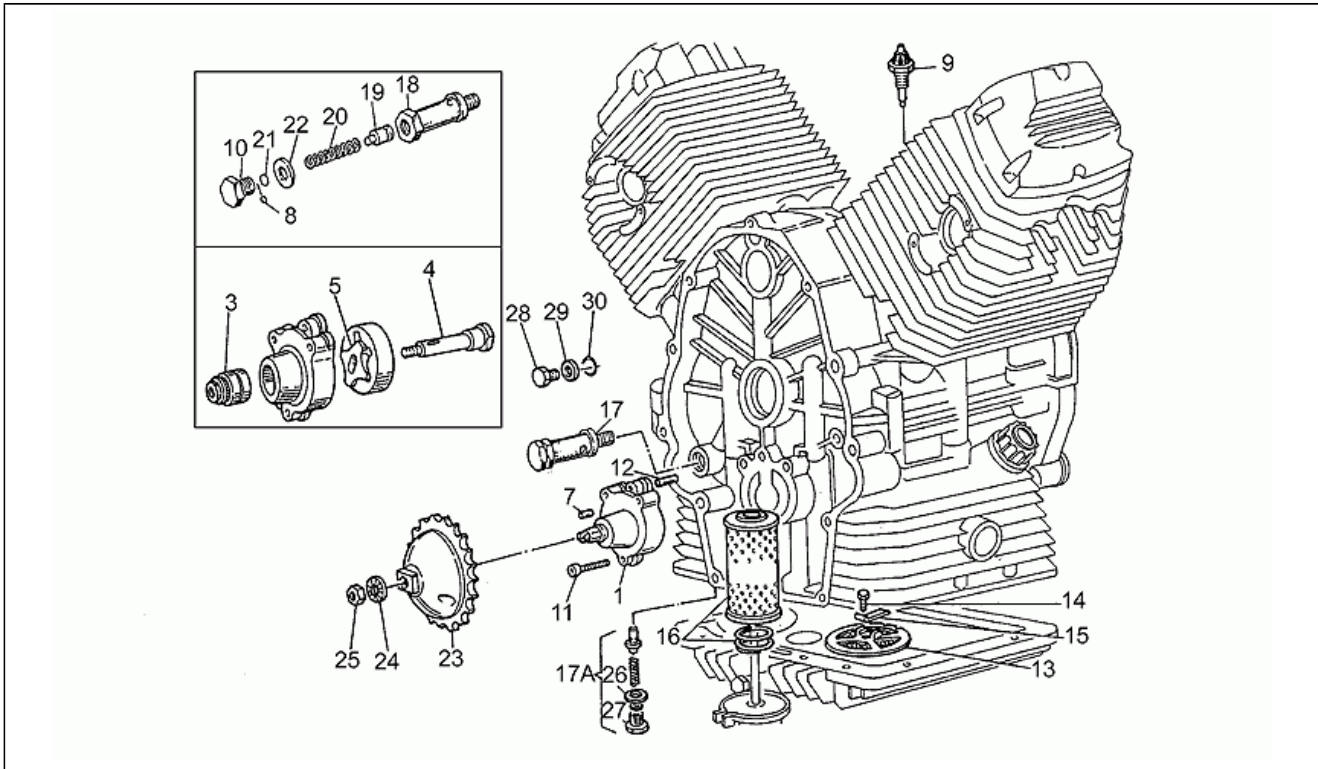
Pos.	Code	Description	Q.ty	Variants
1	GU30730711	Motorino avviamento Valeo	1	
3	GU30530510	Pignone cpl.	1	
4	GU30530511	Kit spazzole	1	
9	GU30530512	Kit revisione motorino avv.	1	
10	GU98610435	Vite	2	
11	GU95004208	Rosetta	2	
12	GU92602208	Dado M8X1,25	2	

Assembly	MOTORE
Code	34.38
Description	Pompa olio
Revision	1



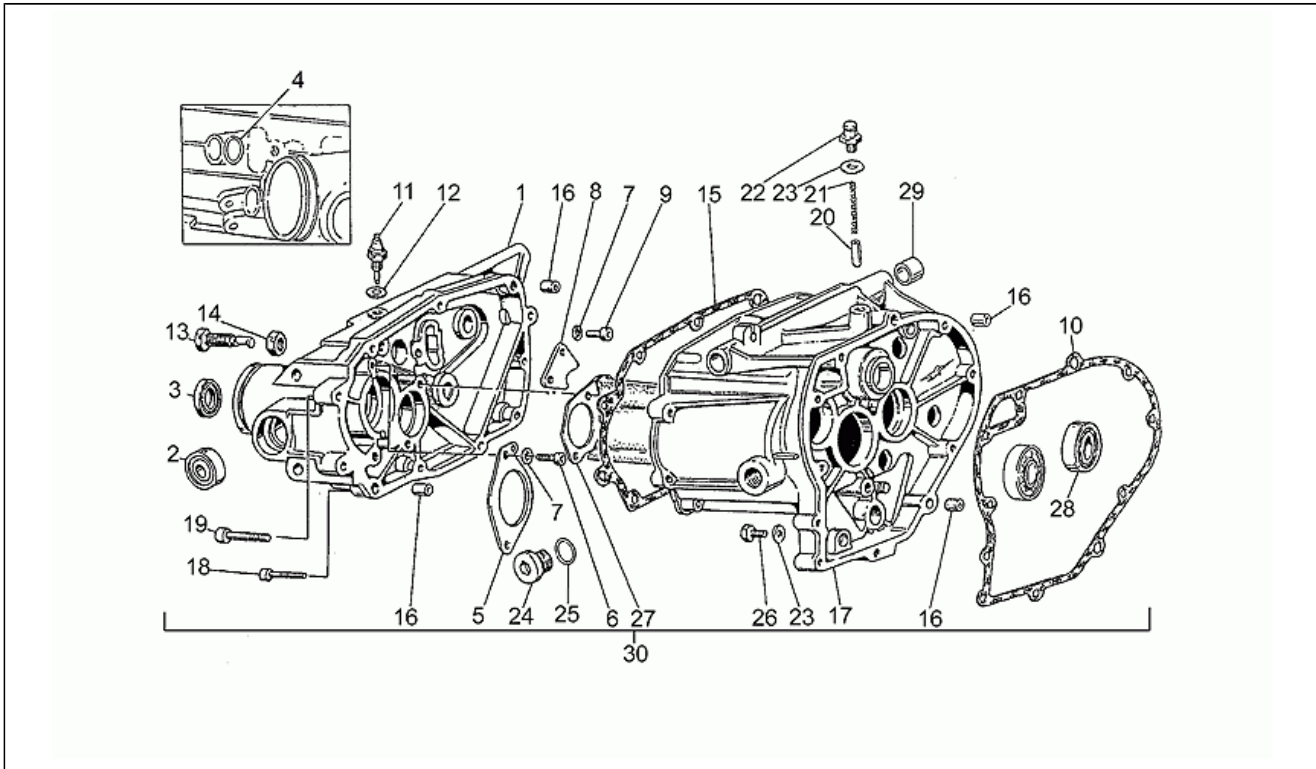
Pos.	Code	Description	Q.ty	Variants
1	GU19146420	Pompa olio	1	
3	GU92252210	Cuscinetto a rulli 10x22x20	1	
4	GU19147820	Albero pompa olio	1	
5	GU19148420	Rotore int.	1	
7	GU92296726	Rullino di guida	1	
8	GU92295911	Sfera	1	
9	GU31999581	Sensore press.olio	1	Specifiche Tecniche: Vedi notiziario ricambi n.022 del 2001[02201N]
10	GU12159000	Tappo	1	
11	GU98620335	Vite	3	
12	GU19018920	Spina	2	
13	GU19152200	Filtro olio	1	
14	GU98054314	Vite	1	
15	GU95187006	Piastrina	1	
16	GU19153000	Filtro olio	1	Specifiche Tecniche: Fino al motore PG17799[M3]
16	GU27153085	Filtro olio	1	Specifiche Tecniche: Da motore PG17800[M4]
17	GU10158201	Valvola press.olio cpl.	1	Specifiche Tecniche: Fino a motore PG17964[M5]
17	GU31158250	Valvola pressione olio	1	Specifiche Tecniche: Da motore PG17965[M6]
18	GU10158701	Corpo valvola	1	
19	GU12150900	Pistoncino	1	
20	GU94321072	Molla valvola	1	
21	GU12150700	Fondello tampone	1	
22	GU95100523	Rosetta 14,5X20X1	2	
23	GU19147721	Ingranaggio pompa olio	1	
24	GU19149800	Rosetta 10,5x16x1	1	
25	GU92602510	Dado M10x1,25	1	
26	GU18144350	Rosetta 18,25x24x1	3	
27	GU95004206	Rosetta 6,15x11x0,8	1	

Assembly	MOTORE
Code	34.38
Description	Pompa olio
Revision	1



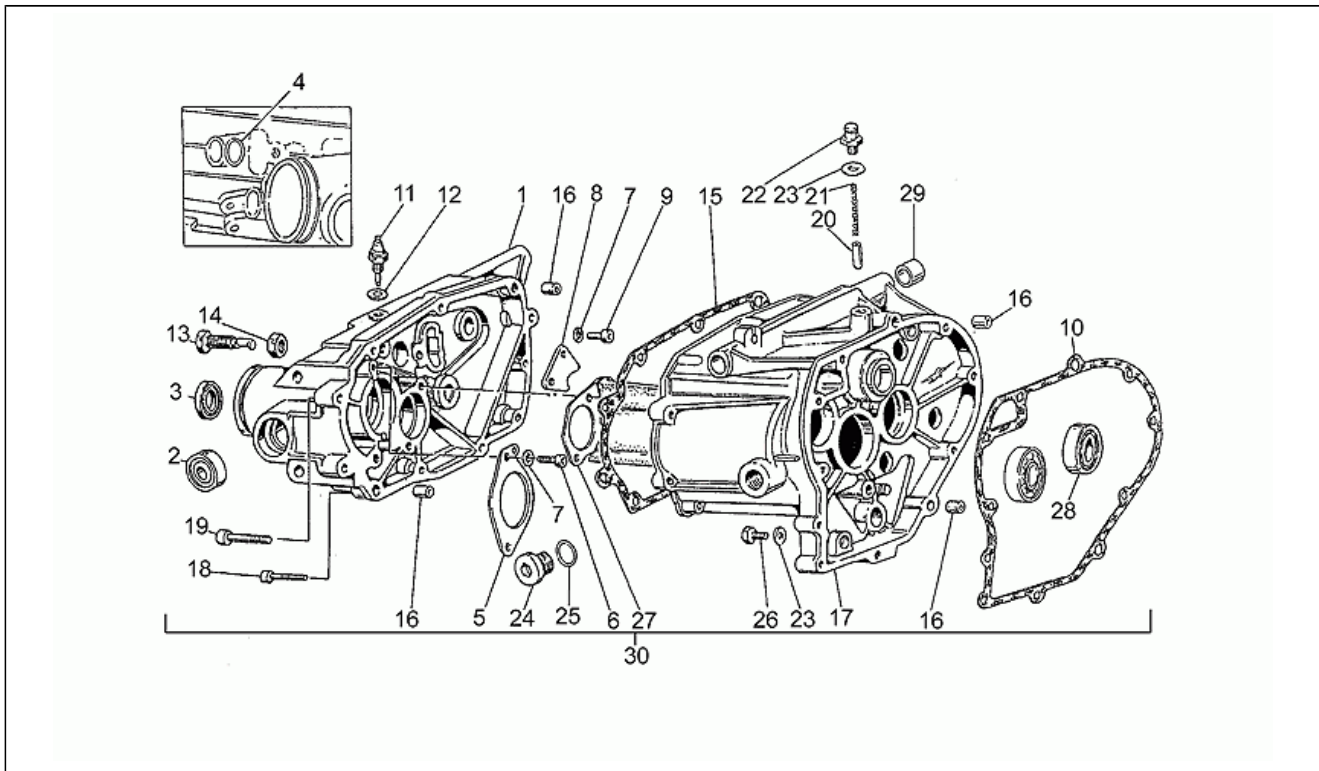
Pos.	Code	Description	Q.ty	Variants
28	GU31016050	Tappo	1	Specifiche Tecniche:Da motore PG17965[M6]
29	GU18161150	Guarnizione in alluminio 14,25	1	Specifiche Tecniche:Da motore PG17965[M6]
30	GU90706111	Anello OR	1	Specifiche Tecniche:Da motore PG17965[M6]

Assembly	MOTORE
Code	34.39
Description	Scatola cambio
Revision	1



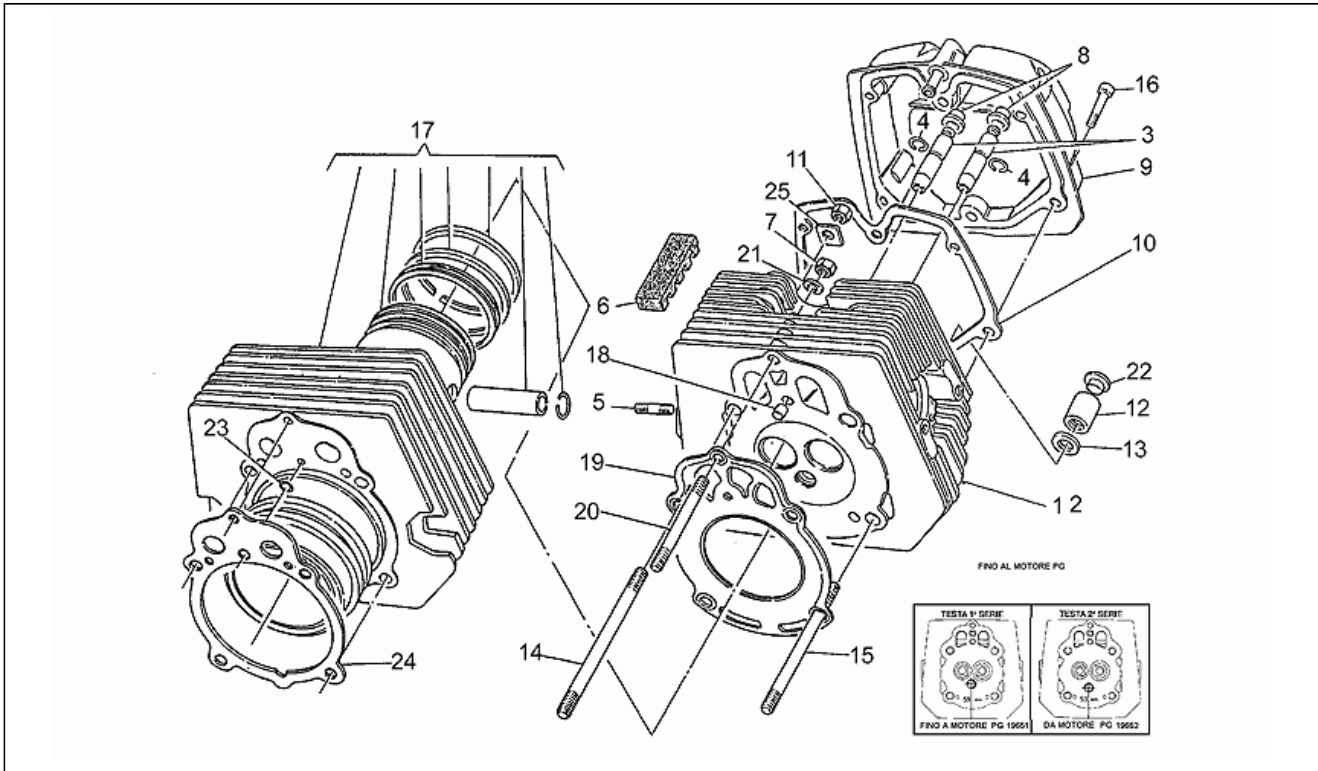
Pos.	Code	Description	Q.ty	Variants
1	GU31200831	Coperchio scatola	1	
2	GU92204215	Cuscinetto 15x35x11	2	
3	GU90402841	Anello di tenuta 28x40x7	1	
4	GU90706140	O-ring 13,95x2,92	1	
5	GU23213870	Piastra	1	
6	GU98622314	Vite	4	
7	GU14217901	Rosetta zigrinata 6,4x10x0,7	6	
8	GU19235800	Piastra fissaggio albero	1	
9	GU98622314	Vite	2	
10	GU23200370	Guarnizione	1	
11	GU19207220	Sensore folle	1	
12	GU12154200	Guarnizione 8,25x15x1	1	
13	GU19237800	Vite con eccentrico M12x1,25	1	
14	GU92602512	Dado basso M12x1,25	1	
15	GU19201120	Guarnizione	1	
16	GU19002020	Boccola 6,6x9x13	4	
17	GU31200231	Scatola cambio	1	
18	GU98610330	Vite M6x30	7	
19	GU98610435	Vite	4	
20	GU55234700	Nottolino	1	
21	GU94321067	Molla ritorno leva	1	
22	GU19206501	Tappo sfiato	1	
23	GU10528900	Guarnizione in alluminio	2	
24	GU31351200	Tappo alimentazione olio	1	
25	GU90706203	Anello OR 20,24x2,62	1	
26	GU31003766	Tappo scarico olio	1	
26	GU95980213	Tappo olio	1	
27	GU19208220	Paratia olio	1	

Assembly	MOTORE
Code	34.39
Description	Scatola cambio
Revision	1



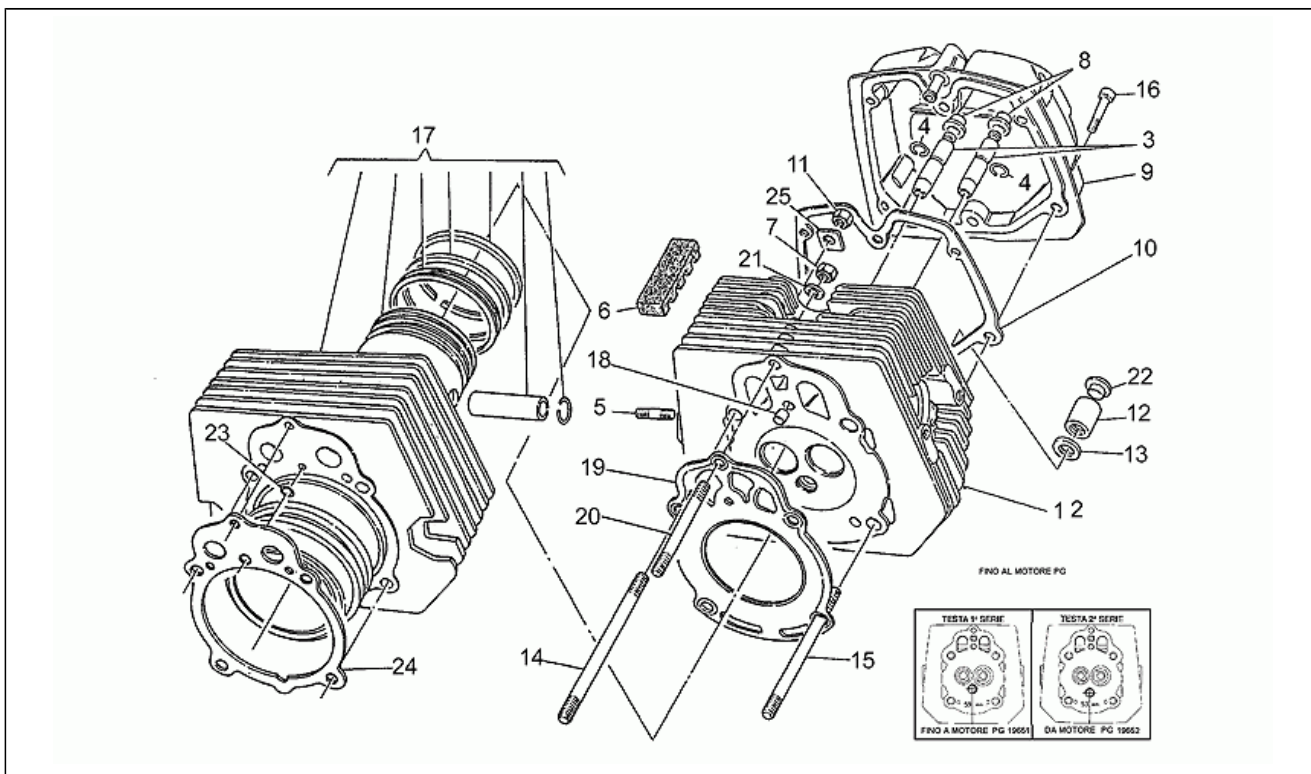
Pos.	Code	Description	Q.ty	Variants
28	GU92201120	Cuscinetto a sfere 20x42x12	1	
29	GU19202320	Boccola 10,25x15,7x8	2	
30	GU23991572	Scatola cambio	1	

Assembly	MOTORE
Code	34.40
Description	Testa cilindro
Revision	1



Pos.	Code	Description	Q.ty	Variants
1	GU23022170	Testa cilindro dx	1	
1	GU31022131	Testa dx	1	
2	GU23022270	Testa cilindro sx	1	
2	GU31022231	Testa sx	1	
3	GU61036801	Guidavalvola	4	
4	GU90353009	Anello elastico	4	
5	GU96506042	Prigioniero	4	
6	GU19025300	Piastra antivibrante	4	
7	GU23021910	Dado	2	
8	GU19037820	Paraolio	4	
9	GU31023500	Coperchio valvole lucido	2	
9	GU31023531	Coperchio valvole	2	Anno: 1986[G] Paese: Germania[D] Specifiche Tecniche: Versione 20Kw[20KW]
10	GU19023700	Guarnizione	2	
11	GU92603010	Dado M10X1,5	4	
12	GU13021900	Dado a colonna	4	
13	GU95129180	Rosetta 10,5X18X0,8	4	
14	GU96510200	Tirante	4	
15	GU96510143	Tirante 143 mm	4	
16	GU98622325	Vite TCEI	10	
17	GU23060170	Cilindro con pistone cpl.	2	
17	GU23060171	Cilindro con pistone cpl.	2	
18	GU19021360	Boccola	2	
19	GU27022060	Guarnizione	2	
20	GU96508125	Tirante	2	
21	GU61270300	Rosetta elastica 8x15x0,3	2	
22	GU93180245	Tappo	4	

Assembly	MOTORE
Code	34.40
Description	Testa cilindro
Revision	1



Pos.	Code	Description	Q.ty	Variants
23	GU61027200	Anello OR	2	
24	GU27020820	Guarnizione	2	
25	GU19032980	Spessore	4	