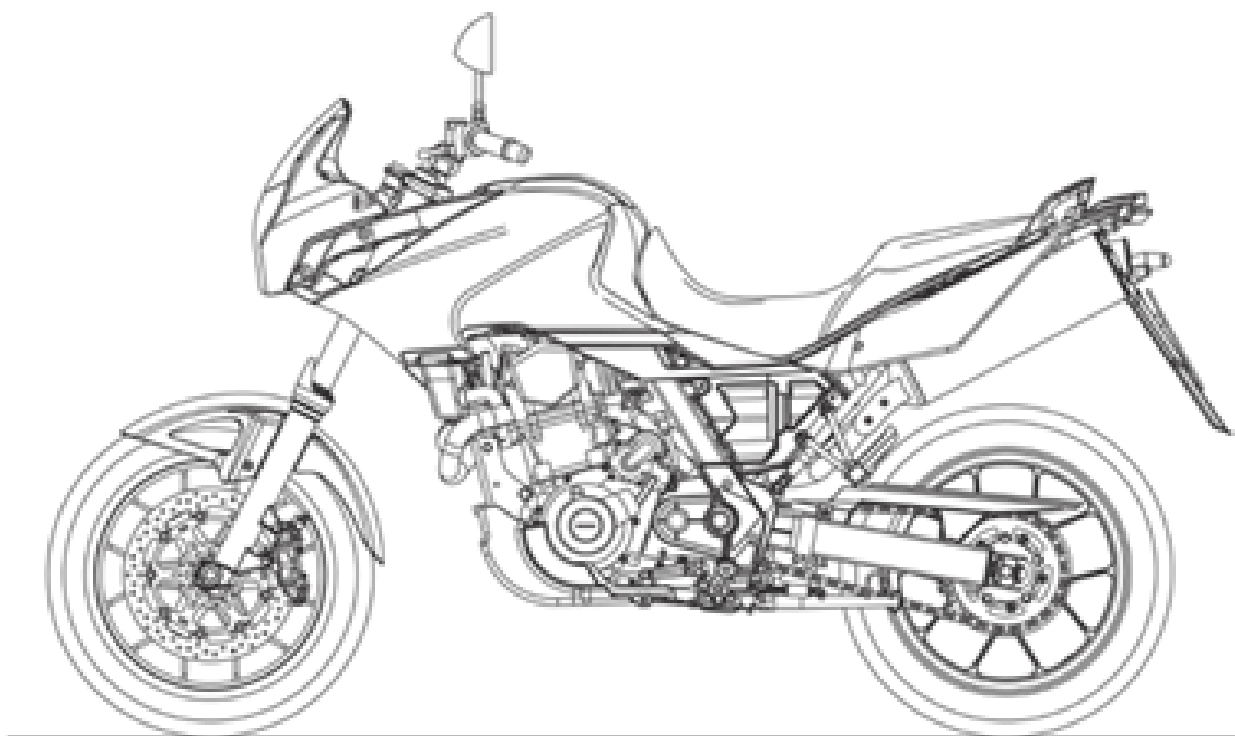




PIAGGIO & C.s.p.a.

**aprilia**

## CATALOGO PARTI DI RICAMBIO



### **Pegaso Strada-Trail 650 IE 2005-2009**

Prefisso telaio: ZD4VD0, ZD4VDA, ZD4VDB, ZD4VDD, ZD4VDE

Prefisso motore:

## Indice

Prodotti finiti.....	4
Indice alfanumerico.....	5
TELAIO.....	12
Tavola 28.01 - Telaio.....	12
Tavola 28.02 - Reggisella.....	15
Tavola 28.03 - Pedane.....	16
Tavola 28.04 - Cavalletto.....	18
Tavola 28.05 - Sterzo-Strada.....	19
Tavola 28.06 - Sterzo-Factory.....	20
Tavola 28.07 - Sterzo-Trail.....	21
Tavola 28.08 - Forcella-Strada.....	22
Tavola 28.09 - Forcella-Trail.....	23
Tavola 28.10 - Forcellone.....	24
Tavola 28.11 - Sospensione posteriore.....	26
Tavola 28.12 - Carrozzeria anteriore I.....	27
Tavola 28.13 - Carrozzeria anteriore II.....	30
Tavola 28.14 - Carrozzeria anteriore III.....	34
Tavola 28.15 - Carrozzeria anteriore IIII.....	36
Tavola 28.16 - Serbatoio carburante.....	37
Tavola 28.17 - Sella.....	39
Tavola 28.18 - Carrozzeria centrale.....	40
Tavola 28.19 - Carrozzeria posteriore.....	41
Tavola 28.20 - Cruscotto.....	45
Tavola 28.21 - Comandi I.....	46
Tavola 28.22 - Comandi II.....	48
Tavola 28.23 - Pompa freno anteriore I.....	49
Tavola 28.24 - Pompa freno anteriore II.....	50
Tavola 28.25 - Impianto di raffreddamento.....	51
Tavola 28.26 - Cassa filtro.....	52
Tavola 28.27 - Pompa benz.cpl.....	54
Tavola 28.28 - Gruppo scarico.....	55
Tavola 28.29 - Ruota anteriore I.....	57
Tavola 28.30 - Ruota anteriore II.....	58
Tavola 28.31 - Ruota anteriore III.....	59
Tavola 28.32 - Ruota posteriore I.....	60
Tavola 28.33 - Ruota posteriore II.....	62
Tavola 28.34 - Ruota posteriore III.....	63
Tavola 28.35 - Pinza freno anteriore I.....	64
Tavola 28.36 - Pinza freno anteriore II.....	65
Tavola 28.37 - Pinza freno anteriore III.....	66
Tavola 28.38 - Impianto freno post.....	67
Tavola 28.39 - Fanaleria.....	69
Tavola 28.40 - Impianto elettrico.....	70

---

Tavola 28.41 - Kit serrature.....	72
Tavola 28.42 - Decalco.....	73
MOTORE.....	79
Tavola 29.43 - Motore.....	79
Tavola 29.44 - Carter motore I.....	80
Tavola 29.45 - Carter motore II.....	81
Tavola 29.46 - Pompa olio.....	83
Tavola 29.47 - Albero motore.....	85
Tavola 29.48 - Cilindro.....	86
Tavola 29.49 - Testa cilindro.....	87
Tavola 29.50 - Valvole.....	89
Tavola 29.51 - Distribuzione.....	90
Tavola 29.52 - Selettore cambio.....	91
Tavola 29.53 - Cambio.....	92
Tavola 29.54 - Frizione.....	94
Tavola 29.55 - Pompa acqua.....	96
Tavola 29.56 - Motorino avviamento.....	97
Tavola 29.57 - Corpo farfallato.....	98
Tavola 29.58 - Aria secondaria.....	99
Tavola 29.59 - Accensione.....	100
ACCESSORI.....	101
Tavola 30.60 - Acc. - Carrozzeria Speciale.....	101
Tavola 30.61 - Acc. - Trasformazione.....	102
Tavola 30.62 - Acc.-Bauli, valigie, borse I.....	103
Tavola 30.63 - Acc.-Bauli, valigie, borse II.....	104
Tavola 30.64 - Acc.-Bauli, valigie, borse III.....	105
Tavola 30.65 - Acc. - Vari.....	106
Tavola 30.66 - Acc. - Antifurti meccanici.....	107

## Prodotti finiti

Codice	Validità
AP6135203AB702	
AP6135203EA702	
AP6135203EB702	
AP6135203EC702	
AP6135203EU702	

Codice	N.Tavola	Pos.	Codice	N.Tavola	Pos.	Codice	N.Tavola	Pos.
0000000	28.29	13	853334	29.45	15	AP8102375	28.14	3
0000000	28.30	4	853336	29.54	2	AP8102375	28.15	11
0000000	28.30	5	853338	29.54	28	AP8102375	28.18	12
0000000	28.32	10	853340	29.47	5	AP8102375	28.19	17
0000000	28.33	2	853341	29.47	14	AP8102375	28.25	24
0000000	28.33	3	853352	29.51	1	AP8102375	28.41	11
851348	28.24	1	853355	28.28	25	AP8102376	28.02	6
851366	28.24	2	853394	28.40	4	AP8102376	28.18	7
851367	28.24	11	853413	28.42	6	AP8102381	28.12	7
851368	28.24	10	853484	28.31	6	AP8102381	28.13	21
851957	28.06	1	853485	28.34	5	AP8102393	28.01	11
852011	28.40	4	854001	28.42	21	AP8102520	28.26	19
852200	28.39	8	854002	28.42	21	AP8102600	28.29	14
852312	30.63	6	854003	28.42	21	AP8102738	28.25	22
852313	30.63	8	854505	28.42	9	AP8102738	29.46	45
852328	28.21	7	854506	28.42	10	AP8102771	28.25	2
852330	28.21	9	854515	28.42	12	AP8102786	28.01	19
852447	28.01	28	854516	28.42	13	AP8102913	28.41	5
852448	28.01	29	854517	28.42	9	AP8102947	28.13	6
852449	28.21	2	854518	28.42	10	AP8103504	28.07	4
852450	28.06	6	854519	28.42	5	AP8104197	30.63	4
852452	28.31	10	854519	28.42	5	AP8104509	28.22	4
852457	28.31	17	854568	29.57	15	AP8104509	28.22	4
852460	28.34	8	854616	28.13	39	AP8104566	28.22	10
852461	28.31	11	854803	28.40	32	AP8104836	28.25	4
852467	28.37	3	854807	28.34	12	AP8104837	28.25	1
852468	28.38	33	854971	28.37	1	AP8104839	28.13	3
852469	28.38	13	854972	28.37	4	AP8104840	28.41	1
852470	28.38	10	858351	28.42	14	AP8104843	28.19	27
852471	28.21	6	858352	28.42	15	AP8104847	28.26	6
852472	28.21	1	858353	28.42	16	AP8104848	28.26	13
852473	28.14	1	858354	28.42	17	AP8104882	28.25	9
852474	28.14	2	858355	28.42	9	AP8104885	28.16	2
852475	28.19	5	858356	28.42	10	AP8104890	28.13	14
852614	30.65	4	858357	28.42	12	AP8104898	28.26	15
852928	28.03	21	858358	28.42	13	AP8104911	28.01	8
852929	28.03	22	858359	28.42	14	AP8104919	28.41	3
852930	28.31	16	858360	28.42	15	AP8104920	28.41	4
853162	30.65	4	858361	28.42	16	AP8104921	28.22	8
853263	28.03	13	858362	28.42	17	AP8104922	28.22	9
853299	28.24	15	858363	28.42	1	AP8104965	28.27	7
853306	28.42	12	858364	28.42	2	AP8105139	28.10	20
853307	28.42	13	858365	28.42	9	AP8107156	28.18	15
853308	28.42	14	858366	28.42	10	AP8107157	28.32	14
853309	28.42	15	859810	28.22	2	AP8107158	28.32	11
853310	28.42	16	890833	28.42	18	AP8107160	28.33	10
853311	28.42	17	893080	28.42	20	AP8107160	28.34	11
853312	28.42	1	893529	28.42	19	AP8107167	28.33	4
853313	28.42	2	AP8101106	28.07	7	AP8107167	28.34	4
853314	28.42	7	AP8101108	28.01	13	AP8107168	28.32	13
853314	28.42	7	AP8101108	28.02	7	AP8107168	28.33	21
853315	28.42	8	AP8101372	28.25	17	AP8107168	28.34	22
853315	28.42	8	AP8101513	28.21	4	AP8107172	28.32	11
853316	28.42	9	AP8101588	28.25	20	AP8108469	28.30	9
853317	28.42	10	AP8101595	28.38	24	AP8108471	28.33	7
853318	28.42	5	AP8101704	28.01	15	AP8108672	28.30	10
853318	28.42	5	AP8101704	28.02	9	AP8108672	28.31	9
853319	29.57	1	AP8101722	28.25	19	AP8108672	28.33	18
853320	29.49	1	AP8101744	28.29	2	AP8108672	28.34	19
853323	29.59	2	AP8101744	28.32	2	AP8108757	28.30	7
853325	28.40	1	AP8101861	28.03	8	AP8108758	28.30	8
853326	29.46	14	AP8101890	28.26	25	AP8108759	28.33	6
853327	29.49	3	AP8101944	28.13	28	AP8109280	28.30	3
853328	29.49	7	AP8101968	28.38	10	AP8109281	28.33	1
853329	29.45	2	AP8102349	29.46	44	AP8109306	28.31	5
853331	29.45	8	AP8102375	28.10	24	AP8109309	28.31	3
853333	29.45	17	AP8102375	28.12	11	AP8109310	28.31	4

Codice	N.Tavola	Pos.	Codice	N.Tavola	Pos.	Codice	N.Tavola	Pos.
AP8109311	28.34	3	AP8120536	28.25	18	AP8125841	28.34	17
AP8110045	28.30	15	AP8120615	28.26	17	AP8125842	28.29	6
AP8110065	28.11	4	AP8120657	28.28	26	AP8125842	28.32	6
AP8110068	28.11	6	AP8120754	28.40	26	AP8125849	28.38	5
AP8110070	28.10	10	AP8120771	28.07	11	AP8125882	28.19	10
AP8110106	28.05	4	AP8120872	28.10	15	AP8125882	28.19	10
AP8110106	28.06	4	AP8120952	28.13	29	AP8125924	28.29	12
AP8110106	28.07	6	AP8121075	28.10	23	AP8125924	28.31	15
AP8110107	28.29	4	AP8121075	28.15	7	AP8125926	28.29	7
AP8110107	28.32	4	AP8121092	28.01	14	AP8125928	28.32	7
AP8110109	28.29	5	AP8121092	28.02	8	AP8125940	28.30	11
AP8112176	28.40	28	AP8121133	28.03	7	AP8125941	28.33	11
AP8112244	28.40	27	AP8121134	28.03	13	AP8125949	28.33	8
AP8112506	28.40	29	AP8121184	28.13	13	AP8125949	28.34	9
AP8112600	28.39	13	AP8121223	28.38	2	AP8126701	28.17	3
AP8112916	28.19	15	AP8121224	28.03	11	AP8127098	28.39	5
AP8112927	28.40	9	AP8121224	28.03	11	AP8127337	28.40	7
AP8112996	28.21	5	AP8121307	28.05	2	AP8127648	28.22	1
AP8112996	28.38	9	AP8121307	28.06	2	AP8127650	28.41	15
AP8113003	28.23	8	AP8121307	28.07	8	AP8127651	28.40	4
AP8113003	28.35	10	AP8121520	28.22	11	AP8127652	28.39	2
AP8113003	28.36	5	AP8121566	28.03	10	AP8127653	28.40	12
AP8113003	28.38	17	AP8121716	28.41	16	AP8127654	28.39	1
AP8113004	28.23	7	AP8121773	28.28	10	AP8127655	28.39	17
AP8113004	28.35	4	AP8121795	28.18	10	AP8127656	28.39	3
AP8113004	28.36	3	AP8121795	28.39	12	AP8127657	28.39	4
AP8113004	28.38	16	AP8121811	28.01	42	AP8127658	28.40	14
AP8113070	28.36	7	AP8121811	28.15	10	AP8127659	28.40	15
AP8113276	28.38	13	AP8121862	28.01	9	AP8127660	28.39	6
AP8113485	28.30	1	AP8121890	28.10	27	AP8127662	28.40	18
AP8113486	28.33	19	AP8121915	28.24	13	AP8127663	28.20	1
AP8113486	28.34	20	AP8121915	28.37	7	AP8127670	28.40	20
AP8113548	28.36	10	AP8121994	28.04	3	AP8127693	28.40	5
AP8113549	28.38	27	AP8122405	29.49	9	AP8127742	28.39	15
AP8113721	28.35	5	AP8122405	29.55	1	AP8127743	28.39	16
AP8113722	28.35	6	AP8122438	29.55	13	AP8127775	28.41	2
AP8113723	28.35	7	AP8122458	29.50	7	AP8127805	28.20	1
AP8113926	28.31	1	AP8122528	29.50	12	AP8127816	28.27	1
AP8114480	28.22	6	AP8122551	29.46	31	AP8127817	28.27	2
AP8114481	28.21	6	AP8122556	29.44	6	AP8127840	28.27	2
AP8114481	28.21	6	AP8122606	29.50	4	AP8128054	28.31	8
AP8114482	28.13	9	AP8123243	28.05	9	AP8128054	28.34	7
AP8114484	28.22	7	AP8123243	28.06	9	AP8128055	28.34	6
AP8114487	28.41	6	AP8123243	28.07	9	AP8128078	28.31	7
AP8117004	28.13	38	AP8123513	28.05	12	AP8128110	28.29	1
AP8118349	28.21	8	AP8123513	28.07	12	AP8128112	28.32	1
AP8118619	28.22	3	AP8123560	28.09	1	AP8128168	28.30	14
AP8118697	28.21	1	AP8123604	28.21	2	AP8128180	28.30	16
AP8119664	28.28	19	AP8123655	28.09	17	AP8128182	28.30	6
AP8119734	28.28	17	AP8123920	28.09	3	AP8128183	28.33	5
AP8119842	28.28	1	AP8123963	28.07	5	AP8128185	28.33	9
AP8119843	28.28	2	AP8124748	28.40	17	AP8128185	28.34	10
AP8119844	28.28	4	AP8124930	28.25	5	AP8128186	28.31	13
AP8119845	28.28	3	AP8124977	28.04	2	AP8128186	28.33	12
AP8119847	28.28	5	AP8125462	28.30	17	AP8128186	28.34	13
AP8119872	28.28	18	AP8125590	28.31	12	AP8128187	28.33	13
AP8119900	28.28	4	AP8125687	28.10	18	AP8128187	28.34	14
AP8119905	28.28	1	AP8125687	28.29	9	AP8128188	28.31	14
AP8119907	28.28	2	AP8125687	28.31	18	AP8128188	28.33	15
AP8120030	28.25	14	AP8125755	28.30	12	AP8128188	28.34	16
AP8120030	28.26	23	AP8125763	28.10	19	AP8128234	28.29	1
AP8120178	28.38	12	AP8125763	28.29	10	AP8128236	28.32	1
AP8120280	28.01	12	AP8125763	28.31	19	AP8128237	28.32	11
AP8120405	28.12	18	AP8125805	28.33	14	AP8129443	28.17	1
AP8120416	28.28	27	AP8125805	28.34	15	AP8129443	28.17	1
AP8120446	28.25	23	AP8125841	28.32	5	AP8129506	28.17	1
AP8120531	28.12	10	AP8125841	28.33	16	AP8129507	28.17	1

Codice	N.Tavola	Pos.	Codice	N.Tavola	Pos.	Codice	N.Tavola	Pos.
AP8129507	28.17	1	AP8144734	28.26	11	AP8150107	28.05	10
AP8129520	28.17	1	AP8144746	28.26	20	AP8150107	28.07	1
AP8133502	28.36	6	AP8144747	28.01	32	AP8150120	28.25	10
AP8133510	30.65	3	AP8144748	28.01	33	AP8150158	28.19	12
AP8133614	28.35	2	AP8144753	28.03	5	AP8150169	28.02	3
AP8133629	28.23	6	AP8144758	28.33	17	AP8150170	28.21	3
AP8133643	28.38	14	AP8144758	28.34	18	AP8150178	28.19	28
AP8133757	28.38	25	AP8145007	28.03	4	AP8150204	28.19	11
AP8133781	28.29	8	AP8145026	28.01	1	AP8150204	28.41	14
AP8133782	28.23	1	AP8145031	28.02	1	AP8150211	28.41	8
AP8133783	28.23	6	AP8145031	28.02	1	AP8150236	28.05	11
AP8133789	28.32	8	AP8145034	28.03	24	AP8150236	28.06	11
AP8133819	28.35	1	AP8145035	28.03	3	AP8150246	28.10	6
AP8133820	28.38	26	AP8145076	28.01	1	AP8150270	28.39	9
AP8133822	28.23	3	AP8145077	28.02	1	AP8150272	28.01	43
AP8133824	28.35	3	AP8145078	28.10	1	AP8150272	28.14	12
AP8133825	28.38	29	AP8145078	28.10	1	AP8150277	28.28	12
AP8133826	28.38	30	AP8145078	28.10	1	AP8150284	28.38	31
AP8133827	28.38	28	AP8146405	28.03	25	AP8150292	28.04	6
AP8133873	28.38	18	AP8146406	28.03	23	AP8150292	28.35	9
AP8133877	28.36	1	AP8146518	28.11	9	AP8150292	28.36	4
AP8133879	28.38	26	AP8146915	28.01	2	AP8150299	28.10	13
AP8133883	28.23	1	AP8146917	28.01	1	AP8150311	28.38	21
AP8133906	28.36	2	AP8146919	28.01	7	AP8150329	28.03	17
AP8133907	28.36	10	AP8146920	28.01	6	AP8150349	28.41	9
AP8133908	28.36	9	AP8146921	28.01	3	AP8150350	28.39	14
AP8133911	28.38	29	AP8146922	28.01	4	AP8150378	28.28	6
AP8134451	28.03	6	AP8146923	28.01	5	AP8150382	28.01	41
AP8134829	28.03	19	AP8146924	28.03	14	AP8150382	28.14	13
AP8136375	28.03	14	AP8146924	28.03	14	AP8150382	28.15	9
AP8136376	28.03	15	AP8146925	28.03	15	AP8150382	28.20	3
AP8144007	28.38	3	AP8146925	28.03	15	AP8150413	28.13	15
AP8144063	28.25	25	AP8146926	28.03	1	AP8150413	28.26	24
AP8144071	28.28	9	AP8146927	28.03	2	AP8150415	28.41	13
AP8144081	28.18	16	AP8146928	28.10	1	AP8150420	28.19	14
AP8144087	28.13	16	AP8146928	28.10	1	AP8150420	28.26	14
AP8144087	28.17	4	AP8146929	28.11	2	AP8150423	28.40	16
AP8144087	28.18	13	AP8146930	28.11	3	AP8150429	28.40	11
AP8144089	28.17	2	AP8146931	29.43	2	AP8150430	28.19	23
AP8144091	28.40	25	AP8146934	28.38	1	AP8150430	28.25	13
AP8144146	28.05	3	AP8146954	28.04	1	AP8150431	28.01	18
AP8144146	28.06	3	AP8146962	28.01	28	AP8150431	28.02	12
AP8144151	28.38	23	AP8146963	28.01	29	AP8150431	28.38	6
AP8144219	28.38	32	AP8146963	28.01	29	AP8150444	28.13	25
AP8144222	28.05	7	AP8146965	28.02	2	AP8150445	28.10	16
AP8144222	28.06	7	AP8146968	28.11	2	AP8150450	28.01	34
AP8144222	28.07	4	AP8146969	28.11	3	AP8150450	28.13	24
AP8144479	28.04	8	AP8150011	28.40	3	AP8150468	28.10	28
AP8144553	28.40	30	AP8150012	28.25	11	AP8150489	28.28	20
AP8144570	28.13	37	AP8150013	28.12	22	AP8150493	28.12	8
AP8144599	28.12	13	AP8150015	28.01	22	AP8150500	28.14	11
AP8144679	28.25	7	AP8150015	28.04	4	AP8150500	28.14	4
AP8144680	28.25	8	AP8150015	28.28	24	AP8150500	28.18	8
AP8144682	28.13	5	AP8150017	28.19	9	AP8150505	28.28	8
AP8144683	28.27	5	AP8150017	28.39	7	AP8150509	28.20	2
AP8144684	28.13	17	AP8150018	28.01	16	AP8150509	28.26	7
AP8144686	28.32	12	AP8150018	28.02	10	AP8150519	28.12	6
AP8144687	28.10	4	AP8150018	28.28	11	AP8150521	28.13	30
AP8144689	28.26	3	AP8150020	28.01	37	AP8150521	28.19	20
AP8144690	28.26	2	AP8150020	28.38	4	AP8150522	28.12	14
AP8144702	28.10	2	AP8150026	28.19	19	AP8150540	28.06	10
AP8144703	28.10	3	AP8150026	28.38	8	AP8150540	28.19	8
AP8144710	28.19	24	AP8150026	28.40	10	AP8152001	28.04	7
AP8144713	28.16	3	AP8150044	29.43	4	AP8152003	28.22	5
AP8144714	28.01	20	AP8150053	28.18	11	AP8152043	28.23	5
AP8144730	28.01	30	AP8150071	28.38	7	AP8152043	28.40	2
AP8144731	28.01	31	AP8150088	28.06	12	AP8152063	28.10	14

Codice	N.Tavola	Pos.	Codice	N.Tavola	Pos.	Codice	N.Tavola	Pos.
AP8152137	28.19	13	AP8152413	28.11	7	AP8163095	28.09	7
AP8152156	28.30	2	AP8152442	28.05	8	AP8163096	28.09	8
AP8152156	28.33	20	AP8152442	28.06	8	AP8163097	28.09	9
AP8152156	28.34	21	AP8152442	28.07	10	AP8163098	28.09	10
AP8152181	28.15	6	AP8152473	28.01	25	AP8163101	28.09	13
AP8152181	28.28	28	AP8152478	28.13	36	AP8163102	28.09	14
AP8152226	28.13	18	AP8152478	28.19	25	AP8163103	28.09	15
AP8152246	28.13	35	AP8152479	28.13	32	AP8163104	28.09	18
AP8152246	28.18	6	AP8152481	28.01	40	AP8163105	28.09	19
AP8152246	28.19	22	AP8152482	28.01	38	AP8163106	28.09	20
AP8152246	28.28	21	AP8152483	28.35	8	AP8163275	28.09	11
AP8152262	28.10	8	AP8152483	28.37	2	AP8163276	28.09	12
AP8152262	28.39	10	AP8152484	28.26	21	AP8163468	28.08	2
AP8152267	28.13	34	AP8152486	28.03	16	AP8163469	28.05	1
AP8152267	28.38	20	AP8152486	28.21	3	AP8163471	28.11	1
AP8152273	28.27	4	AP8152488	28.28	13	AP8163489	28.08	3
AP8152273	28.40	31	AP8152489	28.28	23	AP8163490	28.05	6
AP8152277	28.01	27	AP8154037	28.12	16	AP8163490	28.07	5
AP8152277	28.03	20	AP8154038	28.12	17	AP8163497	28.11	1
AP8152277	28.40	8	AP8154055	28.09	23	AP8163500	28.05	5
AP8152277	29.57	13	AP8154099	28.14	9	AP8163500	28.06	5
AP8152278	28.15	5	AP8156166	28.14	1	AP8163500	28.07	3
AP8152278	28.38	22	AP8156167	28.19	5	AP8163513	28.21	2
AP8152278	28.40	6	AP8156167	28.19	5	AP8163513	28.21	2
AP8152279	28.04	5	AP8156168	28.19	6	AP8163513	28.21	2
AP8152280	28.15	3	AP8156187	28.14	2	AP8163514	28.08	7
AP8152280	28.24	4	AP8156187	28.14	2	AP8163515	28.08	8
AP8152280	28.25	16	AP8156187	28.14	2	AP8163519	28.08	9
AP8152280	28.28	15	AP8156220	28.15	1	AP8163520	28.08	15
AP8152283	28.01	23	AP8156221	28.15	2	AP8163521	28.08	14
AP8152283	28.16	5	AP8156316	28.15	1	AP8163522	28.08	13
AP8152286	28.01	10	AP8156332	28.14	1	AP8163523	28.08	12
AP8152286	28.29	11	AP8156333	28.14	1	AP8163524	28.08	11
AP8152286	28.31	2	AP8156335	28.14	1	AP8163530	28.08	4
AP8152286	28.32	9	AP8156347	28.15	1	AP8163533	28.08	10
AP8152287	28.14	5	AP8156348	28.15	1	AP8163535	28.08	5
AP8152289	28.33	23	AP8156384	28.14	1	AP8163544	28.09	21
AP8152289	28.34	24	AP8161028	28.10	12	AP8163561	28.07	2
AP8152292	28.01	17	AP8161030	28.13	12	AP8166478	28.42	11
AP8152292	28.02	11	AP8161038	28.10	9	AP8166599	28.10	29
AP8152298	28.02	4	AP8161040	28.10	17	AP8166640	28.42	1
AP8152298	28.12	9	AP8161041	28.10	11	AP8166641	28.42	2
AP8152298	28.14	11	AP8161049	28.41	7	AP8166642	28.42	4
AP8152298	28.14	7	AP8161050	28.13	11	AP8166643	28.42	3
AP8152298	28.19	18	AP8161051	28.01	21	AP8166644	28.42	5
AP8152298	28.41	10	AP8161053	28.26	16	AP8166645	28.42	4
AP8152300	28.28	16	AP8161054	28.26	18	AP8166646	28.42	3
AP8152300	28.33	22	AP8161055	28.13	23	AP8166680	28.10	29
AP8152300	28.34	23	AP8161056	28.13	22	AP8166779	28.42	1
AP8152301	28.01	26	AP8161077	28.13	27	AP8166780	28.42	2
AP8152301	28.03	18	AP8161080	28.29	3	AP8166782	28.42	7
AP8152301	28.11	5	AP8161081	28.32	3	AP8166783	28.42	8
AP8152301	28.32	15	AP8161082	28.13	33	AP8166784	28.42	4
AP8152302	28.10	26	AP8161083	28.25	12	AP8166785	28.42	5
AP8152302	28.18	14	AP8161106	28.12	19	AP8176110	29.43	1
AP8152305	28.10	7	AP8161107	28.12	20	AP8176186	29.57	14
AP8152306	28.12	21	AP8161128	28.30	13	AP8176195	28.27	1
AP8152315	28.01	24	AP8161147	28.32	16	AP8176201	29.57	1
AP8152318	28.36	8	AP8161196	28.16	4	AP8176228	29.43	1
AP8152322	28.11	8	AP8161201	28.14	10	AP8178784	28.18	9
AP8152329	28.39	11	AP8161212	28.14	8	AP8178786	28.25	3
AP8152338	28.01	36	AP8163076	28.09	16	AP8178787	28.12	1
AP8152338	28.15	8	AP8163088	28.09	22	AP8178788	28.12	2
AP8152342	28.28	21	AP8163091	28.09	2	AP8178788	28.12	2
AP8152351	28.12	12	AP8163092	28.09	4	AP8178788	28.12	2
AP8152409	28.03	12	AP8163093	28.09	5	AP8178788	28.12	2
AP8152410	28.01	39	AP8163094	28.09	6	AP8178789	28.12	3

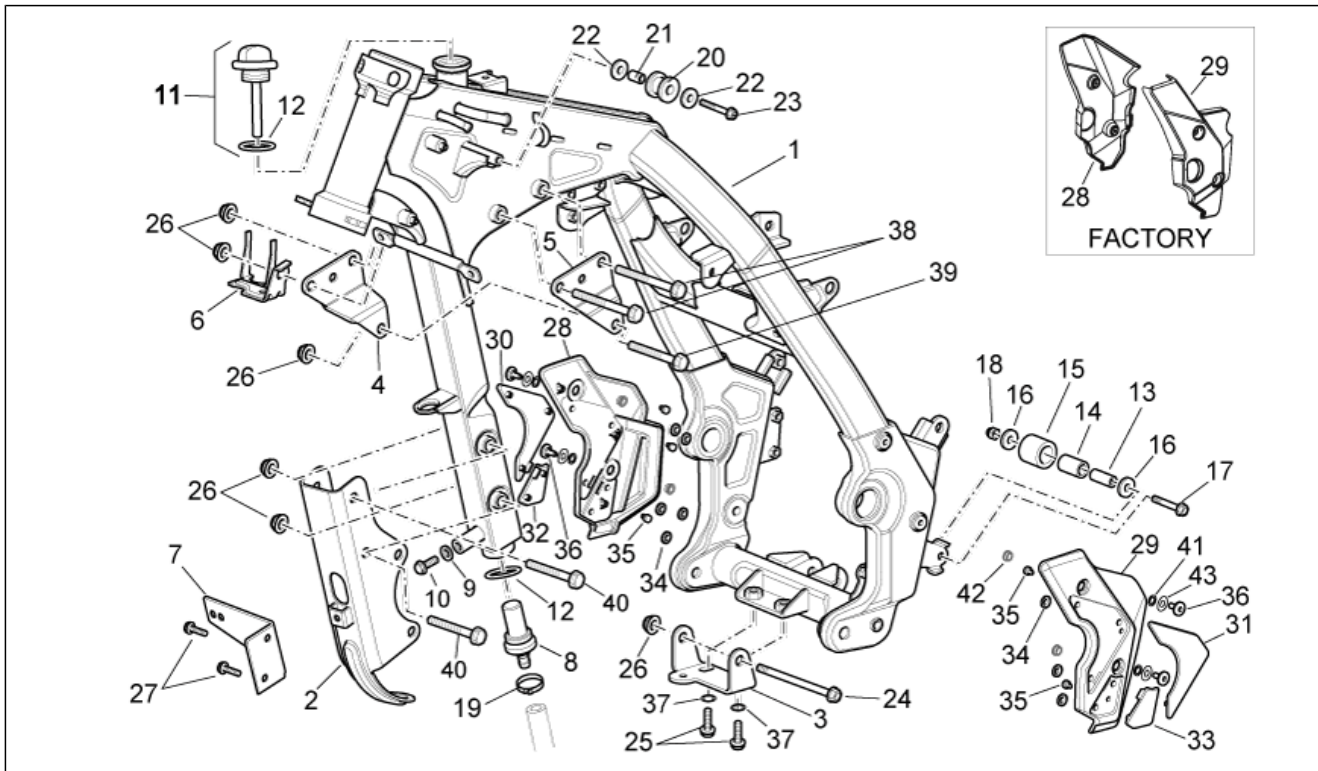


Codice	N.Tavola	Pos.	Codice	N.Tavola	Pos.	Codice	N.Tavola	Pos.
AP8178789	28.12	3	AP8184381	28.13	19	AP8221129	28.13	31
AP8178789	28.12	3	AP8184381	28.13	19	AP8221145	28.15	4
AP8178790	28.12	4	AP8184381	28.13	19	AP8221204	28.04	10
AP8178791	28.12	15	AP8184381	28.13	19	AP8221211	28.04	9
AP8178792	28.12	5	AP8184381	28.13	19	AP8221218	28.14	6
AP8178793	28.13	19	AP8184382	28.13	20	AP8221277	28.03	11
AP8178794	28.13	20	AP8184382	28.13	20	AP8221297	28.28	22
AP8178795	28.18	2	AP8184382	28.13	20	AP8221310	28.19	16
AP8178796	28.18	1	AP8184382	28.13	20	AP8221349	28.19	21
AP8178797	28.18	5	AP8184382	28.13	20	AP8223054	28.08	6
AP8178797	28.18	5	AP8184417	28.19	1	AP8224192	28.23	4
AP8178797	28.18	5	AP8184418	28.19	2	AP8224462	28.40	19
AP8178799	28.18	3	AP8184419	28.16	1	AP8225369	28.12	23
AP8178800	28.18	4	AP8184425	28.26	1	AP8234020	28.10	5
AP8178801	28.19	7	AP8184425	28.26	1	AP8268442	28.16	1
AP8178804	28.19	3	AP8184425	28.26	1	AP8268446	28.19	1
AP8178805	28.19	4	AP8184426	28.01	28	AP8268446	28.19	1
AP8178806	28.13	1	AP8184426	28.01	28	AP8268447	28.19	2
AP8178807	28.13	10	AP8184427	28.01	29	AP8268447	28.19	2
AP8178808	28.13	8	AP8184429	28.12	2	AP8268449	28.19	1
AP8178809	28.13	7	AP8184430	28.12	3	AP8268450	28.19	2
AP8178810	28.10	25	AP8184432	28.19	1	AP8501477	29.53	27
AP8178812	28.16	1	AP8184433	28.19	2	AP8502807	29.46	33
AP8178814	28.26	1	AP8184435	28.16	1	AP851720	30.65	4
AP8178814	28.26	1	AP8184436	28.12	2	AP8520001	29.57	1
AP8178817	28.26	5	AP8184437	28.12	3	AP8520002	29.48	1
AP8178818	28.26	4	AP8184441	28.19	1	AP8520003	29.56	1
AP8178819	28.26	12	AP8184442	28.19	2	AP8520004	29.47	6
AP8178820	28.26	8	AP8184566	28.16	1	AP8520005	29.49	1
AP8178899	28.13	2	AP8184569	28.16	1	AP8520006	29.52	1
AP8178900	28.13	4	AP8184573	28.19	1	AP8520007	29.49	10
AP8179017	28.10	22	AP8184574	28.19	2	AP8520008	28.40	23
AP8179018	28.28	7	AP8184818	28.16	1	AP8520009	29.51	12
AP8179019	28.25	6	AP8184819	28.12	2	AP8520010	29.45	1
AP8179203	28.38	19	AP8184820	28.12	3	AP8520011	29.45	3
AP8179204	28.19	26	AP8184823	28.14	1	AP8520012	29.52	2
AP8179278	28.16	1	AP8184827	28.19	1	AP8520013	29.47	1
AP8179310	28.19	1	AP8184828	28.19	2	AP8520014	29.53	14
AP8179311	28.19	2	AP8184830	28.16	1	AP8520015	29.57	2
AP8179349	28.13	19	AP8184831	28.12	2	AP8520016	29.46	1
AP8179350	28.13	20	AP8184832	28.12	3	AP8520017	29.46	11
AP8179351	28.13	7	AP8184836	28.16	1	AP8520018	29.51	9
AP8179351	28.13	7	AP8184837	28.12	2	AP8520019	29.47	7
AP8179351	28.13	7	AP8184838	28.12	3	AP8520020	29.44	1
AP8179351	28.13	7	AP8201169	28.26	9	AP8520021	29.59	1
AP8179351	28.13	7	AP8201301	28.38	11	AP8520022	29.59	2
AP8179351	28.13	7	AP8201727	28.25	26	AP8520023	29.53	1
AP8179352	28.13	8	AP8201755	28.02	5	AP8520024	29.53	16
AP8179352	28.13	8	AP8201755	28.10	21	AP8520025	29.52	9
AP8179352	28.13	8	AP8203570	28.07	1	AP8520026	29.47	10
AP8179352	28.13	8	AP8203570	28.21	3	AP8520027	28.40	22
AP8179352	28.13	8	AP8206169	29.44	5	AP8520028	28.40	1
AP8179352	28.13	8	AP8206169	29.45	9	AP8520029	29.55	28
AP8181141	28.22	4	AP8206233	29.52	14	AP8520030	29.46	14
AP8184054	28.16	1	AP8212382	28.40	21	AP8520031	29.55	3
AP8184055	28.19	1	AP8213057	28.38	15	AP8520032	29.49	3
AP8184056	28.19	2	AP8218479	28.23	2	AP8520033	29.49	7
AP8184198	28.16	1	AP8220189	28.38	34	AP8520034	29.45	2
AP8184202	28.19	1	AP8220189	29.43	3	AP8520035	29.46	21
AP8184203	28.19	2	AP8220283	28.40	24	AP8520036	29.45	8
AP8184374	28.18	5	AP8220325	28.25	21	AP8520037	29.46	22
AP8184374	28.18	5	AP8220488	28.01	35	AP8520038	29.45	17
AP8184375	28.16	1	AP8220488	28.13	26	AP8520039	29.45	15
AP8184376	28.12	2	AP8220709	28.27	6	AP8520040	29.55	22
AP8184376	28.12	2	AP8221007	28.25	15	AP8520041	29.58	5
AP8184377	28.12	3	AP8221023	28.26	22	AP8520042	29.55	19
AP8184377	28.12	3	AP8221023	28.28	14	AP8520043	29.46	27

Codice	N.Tavola	Pos.	Codice	N.Tavola	Pos.	Codice	N.Tavola	Pos.
AP8520044	29.54	2	AP8520110	29.46	3	AP8520177	29.47	17
AP8520045	29.46	26	AP8520111	29.49	2	AP8520178	29.54	31
AP8520046	29.46	9	AP8520112	29.49	20	AP8520179	29.53	7
AP8520047	29.52	7	AP8520113	29.49	18	AP8520180	29.49	19
AP8520048	29.54	18	AP8520114	29.52	23	AP8520181	29.47	19
AP8520049	29.45	18	AP8520115	29.52	17	AP8520182	29.54	4
AP8520050	29.52	12	AP8520116	29.54	14	AP8520183	29.49	16
AP8520051	29.50	3	AP8520117	29.55	9	AP8520184	29.58	6
AP8520052	29.50	6	AP8520118	29.55	4	AP8520185	29.54	30
AP8520053	29.52	3	AP8520119	29.50	8	AP8520186	29.52	18
AP8520054	29.52	4	AP8520120	29.55	26	AP8520187	29.47	15
AP8520055	29.54	1	AP8520121	29.44	4	AP8520188	29.54	21
AP8520056	29.54	26	AP8520121	29.45	11	AP8520189	29.55	11
AP8520057	29.54	24	AP8520122	29.49	6	AP8520190	29.54	5
AP8520058	29.54	23	AP8520123	29.56	5	AP8520191	29.54	15
AP8520059	29.54	25	AP8520124	29.52	6	AP8520192	29.53	8
AP8520060	29.54	28	AP8520125	29.52	21	AP8520193	29.54	10
AP8520061	29.54	3	AP8520126	29.51	3	AP8520194	29.59	4
AP8520062	29.53	13	AP8520127	29.51	4	AP8520195	29.55	16
AP8520063	29.53	6	AP8520128	29.52	22	AP8520196	29.44	13
AP8520064	29.53	3	AP8520129	29.54	7	AP8520197	29.51	6
AP8520065	29.53	9	AP8520130	29.54	11	AP8520198	29.44	12
AP8520066	29.53	25	AP8520131	29.52	10	AP8520199	29.50	11
AP8520067	29.53	17	AP8520132	29.55	5	AP8520200	29.51	15
AP8520068	29.53	21	AP8520133	29.47	8	AP8520201	29.56	2
AP8520069	29.53	24	AP8520134	29.55	24	AP8520202	29.46	35
AP8520070	29.53	20	AP8520136	29.50	2	AP8520203	29.48	6
AP8520071	29.56	6	AP8520137	29.50	1	AP8520204	29.49	5
AP8520072	29.51	7	AP8520138	29.55	2	AP8520205	29.46	12
AP8520073	29.56	8	AP8520139	29.46	7	AP8520206	29.52	8
AP8520074	29.46	2	AP8520140	29.58	1	AP8520207	29.45	25
AP8520075	29.55	14	AP8520141	29.51	1	AP8520207	29.55	15
AP8520076	29.55	12	AP8520142	29.50	9	AP8520208	29.53	18
AP8520077	29.56	4	AP8520143	29.50	10	AP8520209	29.53	12
AP8520078	29.47	5	AP8520144	29.47	9	AP8520210	29.47	18
AP8520079	29.47	14	AP8520145	29.52	19	AP8520211	29.46	36
AP8520080	29.56	10	AP8520146	29.53	19	AP8520212	29.56	7
AP8520081	29.50	5	AP8520147	29.53	5	AP8520213	29.56	11
AP8520082	29.52	20	AP8520148	29.54	16	AP8520214	29.54	29
AP8520083	29.52	5	AP8520149	29.46	5	AP8520215	29.54	19
AP8520084	29.54	9	AP8520150	29.54	20	AP8520216	29.52	13
AP8520085	29.46	25	AP8520151	29.49	17	AP8520217	29.52	15
AP8520086	29.54	17	AP8520152	29.52	25	AP8520218	29.59	5
AP8520087	29.54	22	AP8520153	28.26	10	AP8520219	29.53	4
AP8520088	29.55	21	AP8520154	29.57	12	AP8520220	29.53	11
AP8520089	29.57	8	AP8520155	28.40	13	AP8520221	29.53	26
AP8520090	29.53	15	AP8520156	29.57	4	AP8520222	29.55	17
AP8520091	29.52	11	AP8520157	29.58	3	AP8520223	29.56	3
AP8520092	29.54	12	AP8520158	29.57	6	AP8520224	29.49	15
AP8520093	29.54	13	AP8520159	29.57	5	AP8520225	29.48	5
AP8520094	29.52	16	AP8520160	29.46	30	AP8520226	29.47	4
AP8520095	29.53	10	AP8520161	29.58	4	AP8520227	29.46	17
AP8520096	29.53	32	AP8520162	29.51	13	AP8520228	29.46	41
AP8520097	29.47	13	AP8520163	29.51	14	AP8520229	29.46	42
AP8520098	29.53	2	AP8520164	29.57	7	AP8520230	29.52	26
AP8520099	29.53	28	AP8520165	29.46	28	AP8520231	29.44	11
AP8520100	29.47	12	AP8520166	29.46	29	AP8520231	29.45	24
AP8520100	29.53	30	AP8520167	29.51	5	AP8520231	29.49	14
AP8520101	29.46	24	AP8520168	29.44	2	AP8520232	29.46	8
AP8520102	29.54	8	AP8520169	29.45	13	AP8520232	29.55	23
AP8520103	29.48	2	AP8520170	29.53	22	AP8520233	29.56	12
AP8520104	29.51	10	AP8520171	29.45	12	AP8520234	29.45	21
AP8520105	29.45	4	AP8520172	29.57	3	AP8520235	29.49	12
AP8520106	29.45	5	AP8520173	29.47	11	AP8520236	29.51	8
AP8520107	29.58	7	AP8520174	29.54	27	AP8520237	29.46	16
AP8520108	29.45	6	AP8520175	29.47	2	AP8520238	29.46	18
AP8520109	29.55	7	AP8520176	29.54	6	AP8520239	29.46	19

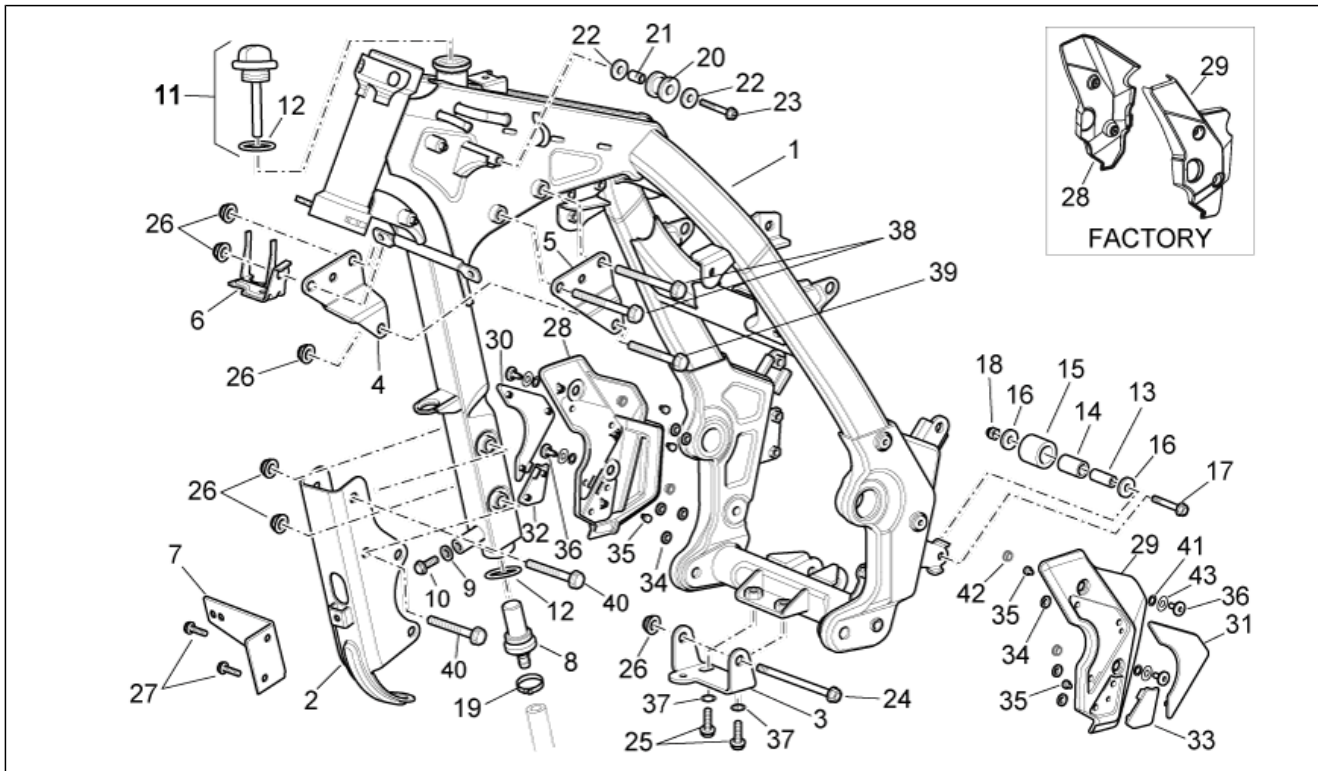
Codice	N.Tavola	Pos.	Codice	N.Tavola	Pos.
AP8520240	29.46	40	AP8791297	28.04	1
AP8520241	29.46	39	AP8792066	30.63	2
AP8520242	29.44	14	AP8792395	30.62	3
AP8520243	29.44	9	AP8792396	30.62	4
AP8520244	29.44	15	AP8792397	30.62	1
AP8520245	29.45	20	AP8792398	30.62	6
AP8520245	29.46	38	AP8792399	30.62	7
AP8520245	29.55	20	AP8792400	30.62	5
AP8520246	29.45	23	AP8792401	30.62	2
AP8520247	29.49	13	AP8792402	30.63	1
AP8520248	29.53	23	AP8792403	30.64	2
AP8520249	29.52	24	AP8792404	30.64	3
AP8520250	29.49	11	AP8792405	30.64	1
AP8520251	29.46	20	AP8793695	30.65	2
AP8520252	29.48	3	AP8794042	30.65	5
AP8520253	29.48	4	AP8794045	30.65	6
AP8520254	29.59	3	AP8794050	30.60	1
AP8520255	29.45	22	AP8794051	30.60	4
AP8520255	29.46	34	AP8794052	30.60	3
AP8520255	29.51	11	AP8794053	30.60	2
AP8520256	29.44	3	AP8797215	30.61	10
AP8520256	29.46	37	AP8797400	30.63	3
AP8520257	29.58	2	AP8797429	30.61	1
AP8520258	29.58	8	AP8797430	30.61	2
AP8520259	29.57	11	AP8797431	30.61	3
AP8520260	29.44	10	AP8797432	30.61	4
AP8520261	29.44	8	AP8797433	30.61	5
AP8520262	29.46	43	AP8797434	30.61	6
AP8520263	29.57	9	AP8797435	30.61	7
AP8520264	29.47	3	AP8797436	30.61	9
AP8520265	29.51	2	AP8797437	30.61	8
AP8520266	29.55	10	AP8797438	30.61	11
AP8520267	29.56	9	AP8797439	30.61	12
AP8520268	29.46	13	AP9100526	28.34	2
AP8520269	29.45	14	AP9100527	28.34	1
AP8520270	29.49	4	AP9100711	28.24	1
AP8520271	29.49	8	AP9100763	28.24	14
AP8520272	29.55	8	AP9100905	28.37	6
AP8520273	29.55	6	AP9100907	28.37	5
AP8520274	29.55	25	AP9100910	28.24	3
AP8520275	29.55	18	AP9100911	28.24	7
AP8520276	29.55	27	AP9100913	28.24	10
AP8520277	29.45	10	AP9100914	28.24	6
AP8520277	29.46	4	AP9100915	28.24	8
AP8520278	29.46	10	AP9100917	28.24	5
AP8520279	29.44	7	AP9100918	28.24	12
AP8520279	29.46	15	AP9100920	28.24	11
AP8520280	29.46	32	AP9100921	28.24	9
AP8520281	29.45	16	AP9100922	28.24	2
AP8520282	29.53	29	AP9100976	28.39	18
AP8520283	29.45	7	CM220301	30.63	7
AP8520284	29.46	6	CM220401	30.63	5
AP8520285	29.53	31	GU05107430	28.27	3
AP8520286	29.47	16	GU32440210	28.03	24
AP8520287	29.46	23	GU32441210	28.03	9
AP8520288	29.45	19	GU32441310	28.03	3
AP8552005	29.57	10	GU32494010	28.08	1
AP8702101	28.41	12	GU97202325	28.21	10
AP8706565	28.28	7			
AP8720115	30.66	1			
AP8720116	30.66	2			
AP8720117	30.66	3			
AP8720118	30.66	4			
AP8791285	30.65	1			
AP8791290	30.60	5			
AP8791291	30.60	6			
AP8791292	30.60	7			

<b>Gruppo</b>	TELAIO
<b>Codice</b>	28.01
<b>Descrizione</b>	Telaio
<b>Revisione</b>	1



Pos.	Codice	Descrizione	Q.ta	Varianti
1	AP8145026	Telaio sab.cat.v.nero	1	<b>Specifiche Tecniche:</b> Versione Enduro Trail[RX]
1	AP8145076	Telaio sab.cat.v.grigio	1	<b>Specifiche Tecniche:</b> Versione Factory[Fac]
1	AP8146917	Telaio sab.cat.v.nero	1	<b>Specifiche Tecniche:</b> Polizia Municipale[PM], Versione Strada[SX]
2	AP8146915	Supporto motore ant.	1	
3	AP8146921	Supporto motore inf.	1	
4	AP8146922	Piastra cilindro-telaio dx	1	
5	AP8146923	Piastra cilindro-telaio sx	1	
6	AP8146920	Staffa di supporto SAS	1	
7	AP8146919	Supporto regolatore	1	
8	AP8104911	Filtro olio con codolo	1	
9	AP8121862	Rosetta D8x16x1,5	1	
10	AP8152286	Vite te flang. M8x20	1	
11	AP8102393	Tappo serbatoio olio con asta	1	
12	AP8120280	Anello OR 4087	2	
13	AP8101108	Distanziale *	1	
14	AP8121092	Distanziale *	1	
15	AP8101704	Rotella tendicatena	1	
16	AP8150018	Rosetta	2	
17	AP8152292	Vite TE flangiata	1	
18	AP8150431	Dado basso M8	1	
19	AP8102786	Fascetta clic 20x8	1	
20	AP8144714	Gommino	2	
21	AP8161051	Distanziale	2	
22	AP8150015	Rosetta 6,6x18x1,6*	4	
23	AP8152283	Vite TE flangiata	2	
24	AP8152315	Vite TE flangiata M10x110	1	
25	AP8152473	Vite te flang.	2	

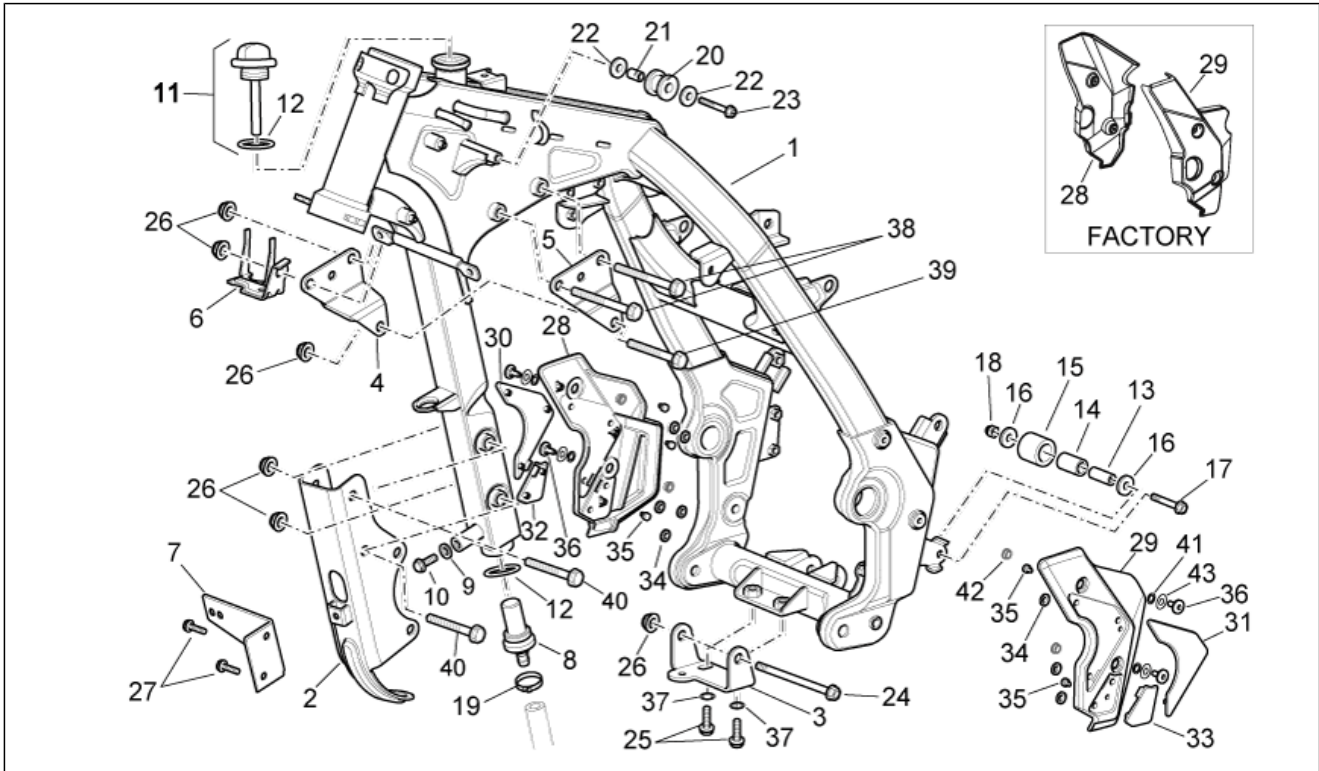
<b>Gruppo</b>	TELAIO
<b>Codice</b>	28.01
<b>Descrizione</b>	Telaio
<b>Revisione</b>	1



Pos.	Codice	Descrizione	Q.ta	Varianti
26	AP8152301	Dado autobloc.flang.	6	
27	AP8152277	Vite TE flangiata M6x12	2	
28	852447	Protezione telaio dx carb.	1	<b>Specifiche Tecniche:</b> Versione Factory[Fac]
28	AP8146962	Protezione pedana pil.dx grig.	1	<b>Specifiche Tecniche:</b> Versione Enduro Trail[RX], Versione Strada[SX]
28	AP8184426	Protezione pedana pil.dx nera	1	<b>Specifiche Tecniche:</b> Versione Strada[SX]
28	AP8184426	Protezione pedana pil.dx nera	1	<b>Specifiche Tecniche:</b> Polizia Municipale[PM]
29	852448	Protezione telaio sx carb.	1	<b>Specifiche Tecniche:</b> Versione Factory[Fac]
29	AP8146963	Protezione pedana pil.sx grig.	1	<b>Specifiche Tecniche:</b> Versione Enduro Trail[RX]
29	AP8146963	Protezione pedana pil.sx grig.	1	<b>Specifiche Tecniche:</b> Versione Enduro Trail[RX], Versione Strada[SX]
29	AP8184427	Protezione pedana pil.sx nera	1	<b>Specifiche Tecniche:</b> Polizia Municipale[PM]
30	AP8144730	Inserto prot.ped.sup.dx nero	1	<b>Specifiche Tecniche:</b> Versione Enduro Trail[RX], Versione Strada[SX]
31	AP8144731	Inserto prot.ped.sup.sx nero	1	<b>Specifiche Tecniche:</b> Versione Enduro Trail[RX], Versione Strada[SX]
32	AP8144747	Inserto prot.ped.inf.dx nero	1	<b>Specifiche Tecniche:</b> Versione Enduro Trail[RX], Versione Strada[SX]
33	AP8144748	Inserto prot.ped.inf.sx nero	1	<b>Specifiche Tecniche:</b> Versione Enduro Trail[RX], Versione Strada[SX]
34	AP8150450	Rosetta per alberi D5	10	<b>Specifiche Tecniche:</b> Versione Enduro Trail[RX], Versione Strada[SX]
35	AP8220488	Gommino a funghetto	6	<b>Specifiche Tecniche:</b> Versione Enduro Trail[RX], Versione Strada[SX]
36	AP8152338	Vite TBEI flangiata	4	
37	AP8150020	Rosetta 10,5x21x2*	2	
38	AP8152482	Vite TE flangiata M10x85	2	
39	AP8152410	Vite TE flangiata M10x55	1	
40	AP8152481	Vite te flang.	4	
41	AP8150382	Rosetta 15x5,5X1,2	4	

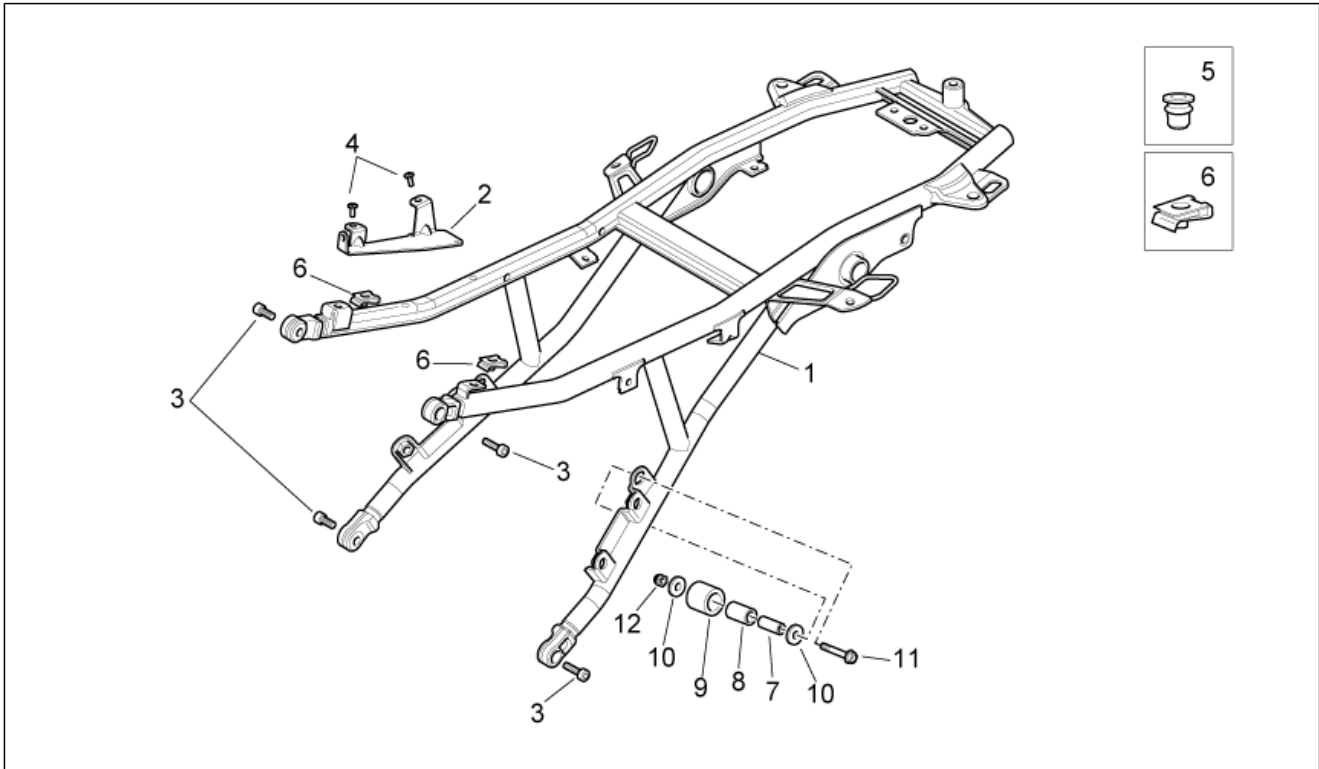


<b>Gruppo</b>	TELAIO
<b>Codice</b>	28.01
<b>Descrizione</b>	Telaio
<b>Revisione</b>	1



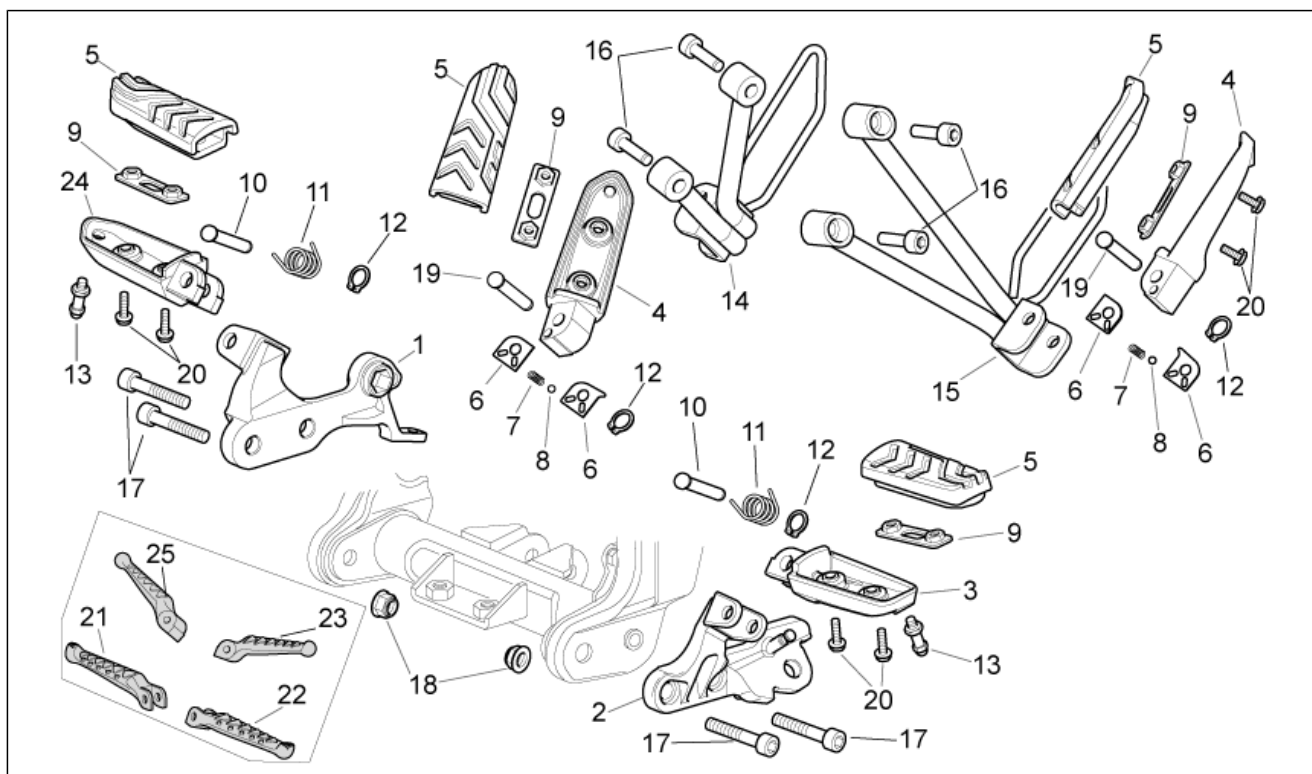
Pos.	Codice	Descrizione	Q.ta	Varianti
42	AP8121811	Bussola a 'T'	4	
43	AP8150272	Rosetta elastica curva 5,3x10x0,5	4	Specifiche Tecniche:Versione Factory[Fac]

<b>Gruppo</b>	TELAIO
<b>Codice</b>	28.02
<b>Descrizione</b>	Reggisella
<b>Revisione</b>	1



Pos.	Codice	Descrizione	Q.ta	Varianti
1	AP8145031	Reggisella v.nero	1	<b>Specifiche Tecniche:</b> Polizia Municipale[PM]
1	AP8145031	Reggisella v.nero	1	<b>Specifiche Tecniche:</b> Versione Enduro Trail[RX], Versione Strada[SX]
1	AP8145077	Reggisella v.grigio	1	<b>Specifiche Tecniche:</b> Versione Factory[Fac]
2	AP8146965	Supporto serratura elettrica	1	
3	AP8150169	Vite TCEI M8x20	4	
4	AP8152298	Vite TBEI flangiata M5x16	2	
5	AP8201755	Rivetto filettato	2	
6	AP8102376	Clip M6	2	
7	AP8101108	Distanziale *	1	
8	AP8121092	Distanziale *	1	
9	AP8101704	Rotella tendicatena	1	
10	AP8150018	Rosetta	2	
11	AP8152292	Vite TE flangiata	1	
12	AP8150431	Dado basso M8	1	

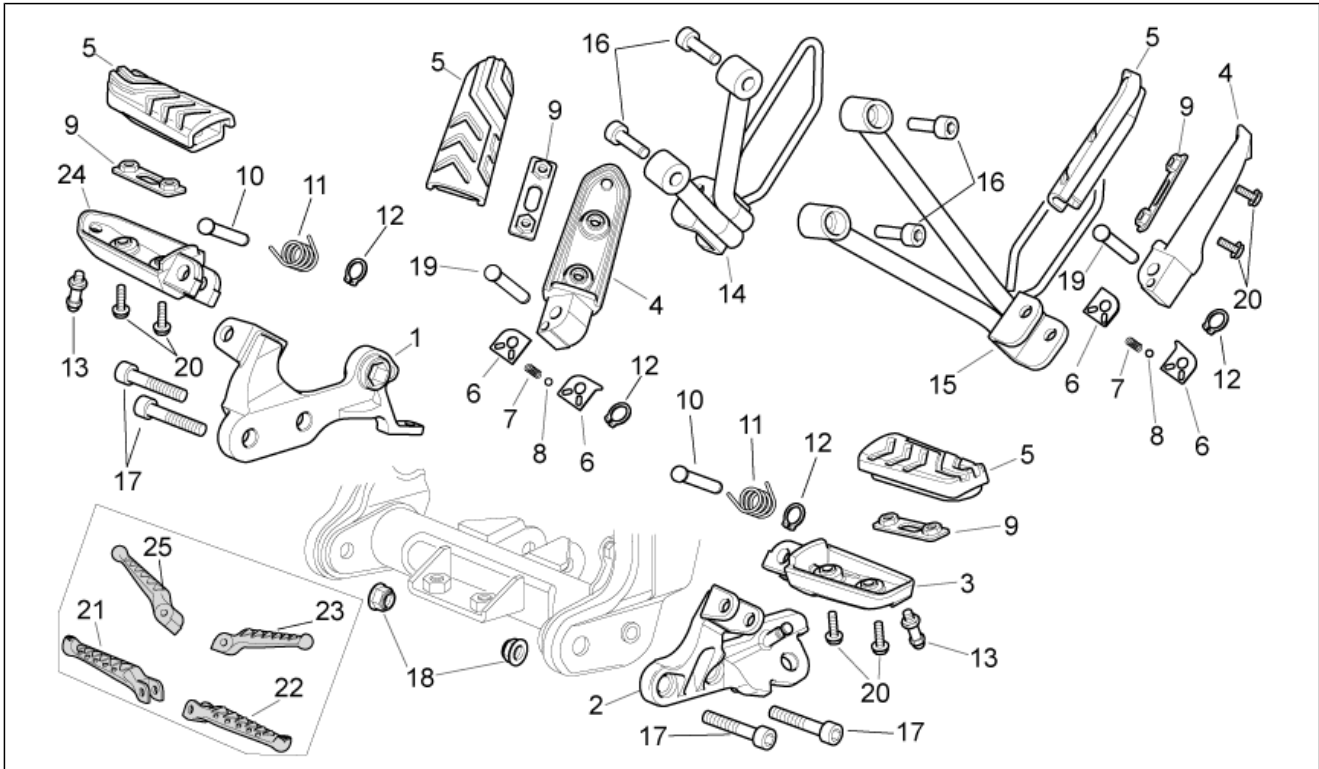
<b>Gruppo</b>	TELAIO
<b>Codice</b>	28.03
<b>Descrizione</b>	Pedane
<b>Revisione</b>	1



Pos.	Codice	Descrizione	Q.ta	Varianti
1	AP8146926	Supporto pedana pilota dx	1	
2	AP8146927	Supporto pedana pilota sx	1	
3	AP8145035	Pedana pilota sx	1	<b>Specifiche Tecniche:</b> Attacco da 9mm[A1]
3	GU32441310	Pedana pilota sx	1	<b>Specifiche Tecniche:</b> Attacco da 12mm[A2]
4	AP8145007	Pedane pass.-coppia	1	<b>Specifiche Tecniche:</b> Versione Enduro Trail[RX], Versione Strada[SX]
5	AP8144753	Gomma pedana-coppia	2	
6	AP8134451	Piastra fine corsa pedana	4	
7	AP8121133	Molla elica cilind.compres.	2	
8	AP8101861	Sfera D6,35	2	
9	GU32441210	Piastrina	4	
10	AP8121566	Perno pedana	2	
11	AP8121224	Molla ritorno pedana	2	<b>Specifiche Tecniche:</b> Attacco da 12mm[A2], Versione Strada[SX]
11	AP8121224	Molla ritorno pedana	2	<b>Specifiche Tecniche:</b> Attacco da 12mm[A2], Versione Factory[Fac]
11	AP8221277	Molla ritorno pedana	2	<b>Specifiche Tecniche:</b> Attacco da 9mm[A1], Versione Enduro Trail[RX]
12	AP8152409	Anello di fermo radiale	4	
13	853263	Perno di strisciamento pedana	2	<b>Specifiche Tecniche:</b> Versione Factory[Fac]
13	AP8121134	Perno di strisciamento pedana	2	<b>Specifiche Tecniche:</b> Versione Strada[SX]
14	AP8136375	Supporto pedana dx pass.	1	<b>Specifiche Tecniche:</b> Versione Factory[Fac]
14	AP8146924	Supporto pedana dx pass.	1	<b>Specifiche Tecniche:</b> Polizia Municipale[PM]
14	AP8146924	Supporto pedana dx pass.	1	<b>Specifiche Tecniche:</b> Versione Enduro Trail[RX], Versione Strada[SX]
15	AP8136376	Supporto pedana sx pass.	1	<b>Specifiche Tecniche:</b> Versione Factory[Fac]
15	AP8146925	Supporto pedana sx pass.	1	<b>Specifiche Tecniche:</b> Versione Enduro Trail[RX], Versione Strada[SX]
15	AP8146925	Supporto pedana sx pass.	1	<b>Specifiche Tecniche:</b> Polizia Municipale[PM]

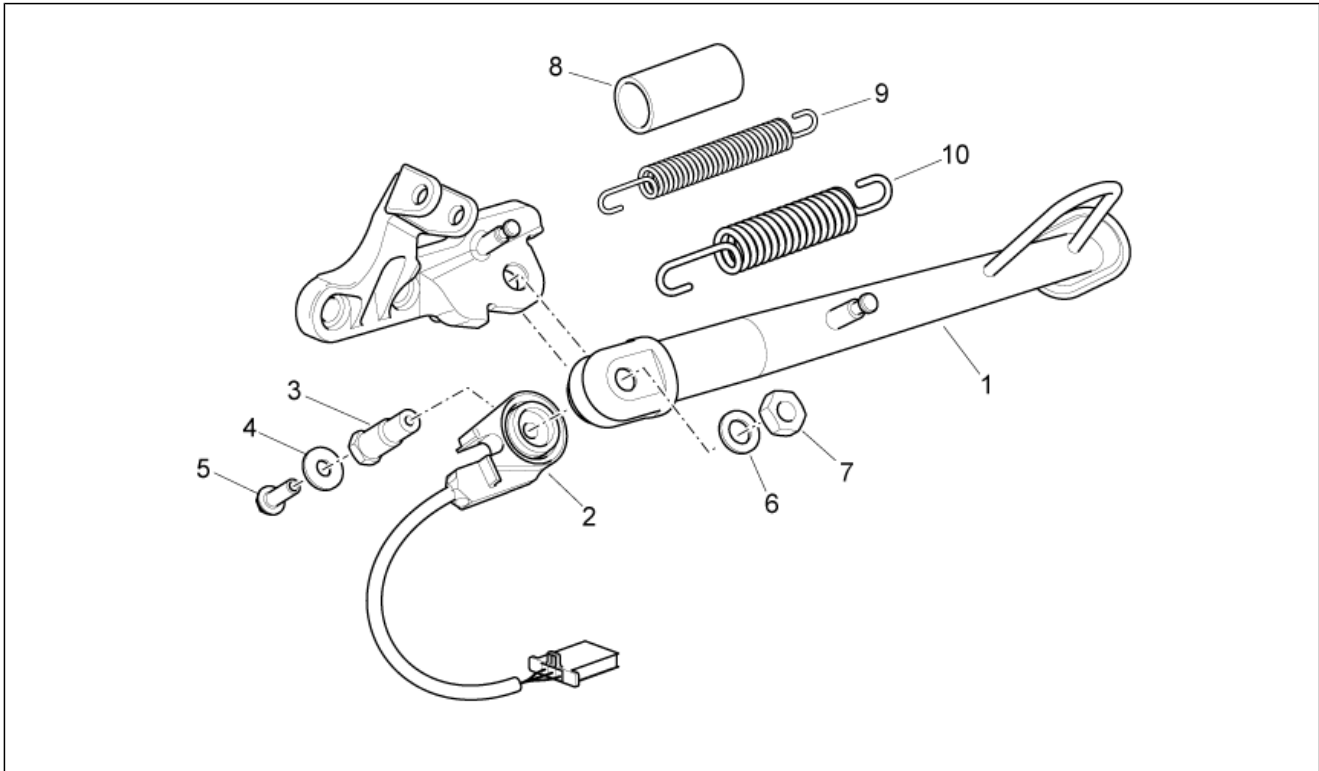


<b>Gruppo</b>	TELAIO
<b>Codice</b>	28.03
<b>Descrizione</b>	Pedane
<b>Revisione</b>	1



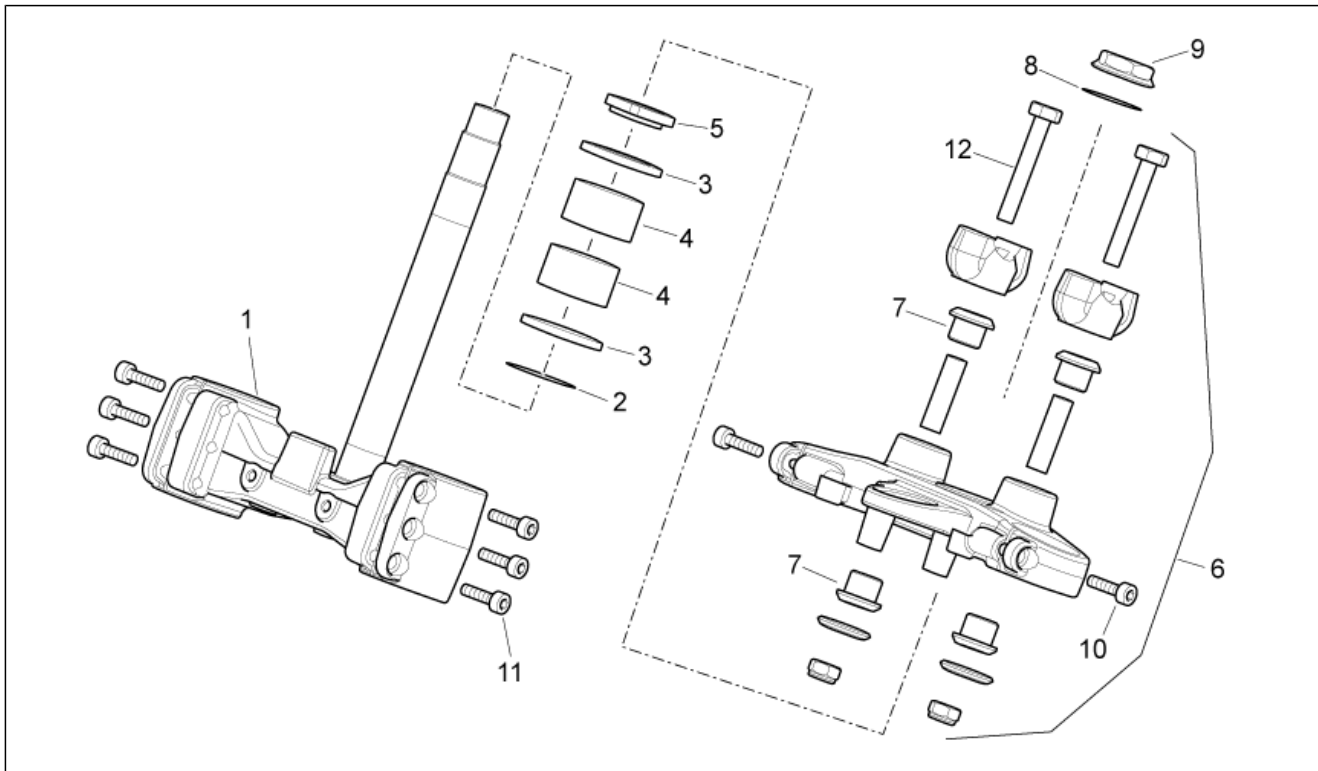
Pos.	Codice	Descrizione	Q.ta	Varianti
16	AP8152486	Vite tcc M8x25 INOX	4	
17	AP8150329	Vite TCEI	4	
18	AP8152301	Dado autobloc.flang.	2	
19	AP8134829	Perno pedana	2	
20	AP8152277	Vite TE flangiata M6x12	8	
21	852928	Pedana pilota dx	1	<b>Specifiche Tecniche:</b> Versione Factory[Fac]
22	852929	Pedana pilota sx	1	<b>Specifiche Tecniche:</b> Versione Factory[Fac]
23	AP8146406	Pedana passeggero SX	1	<b>Specifiche Tecniche:</b> Versione Factory[Fac]
24	AP8145034	Pedana pilota dx	1	<b>Specifiche Tecniche:</b> Attacco da 9mm[A1]
24	GU32440210	Pedana pilota dx	1	<b>Specifiche Tecniche:</b> Attacco da 12mm[A2]
25	AP8146405	Pedana passeggero DX	1	<b>Specifiche Tecniche:</b> Versione Factory[Fac]

<b>Gruppo</b>	TELAIO
<b>Codice</b>	28.04
<b>Descrizione</b>	Cavalletto
<b>Revisione</b>	1



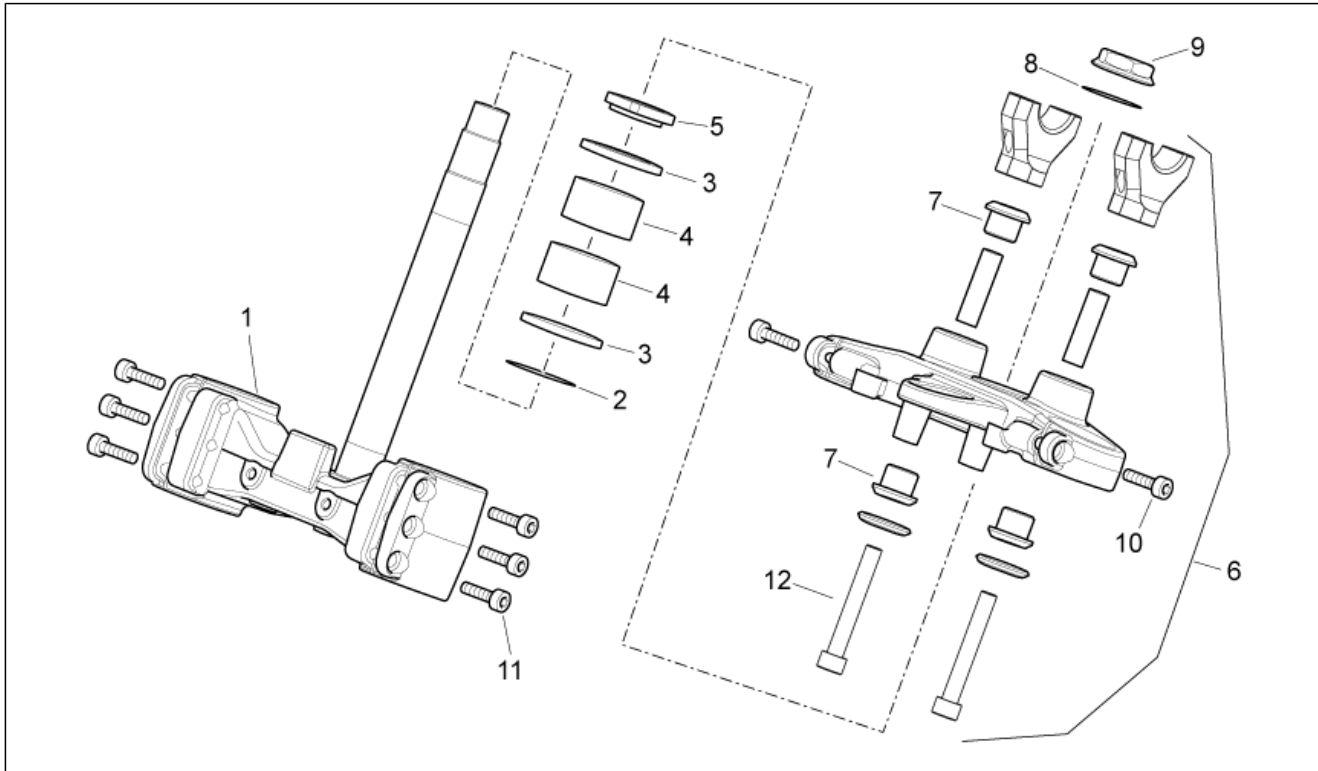
Pos.	Codice	Descrizione	Q.ta	Varianti
1	AP8146954	Cavalletto laterale	1	<b>Specifiche Tecniche:</b> Versione Enduro Trail[RX]
1	AP8791297	Cavalletto laterale	1	<b>Specifiche Tecniche:</b> Versione Strada[SX]
2	AP8124977	Interruttore rotativo	1	
3	AP8121994	Vite cavalletto	1	
4	AP8150015	Rosetta 6,6x18x1,6*	1	
5	AP8152279	Vite te flang. M6x20	1	
6	AP8150292	Rosetta elastica curva *	1	
7	AP8152001	Dado basso M10x1,25	2	
8	AP8144479	Protezione molla cavalletto	1	
9	AP8221211	Molla ritorno cavalletto int.	1	
10	AP8221204	Molla ritorno cavalletto	1	

<b>Gruppo</b>	TELAIO
<b>Codice</b>	28.05
<b>Descrizione</b>	Sterzo-Strada
<b>Revisione</b>	1



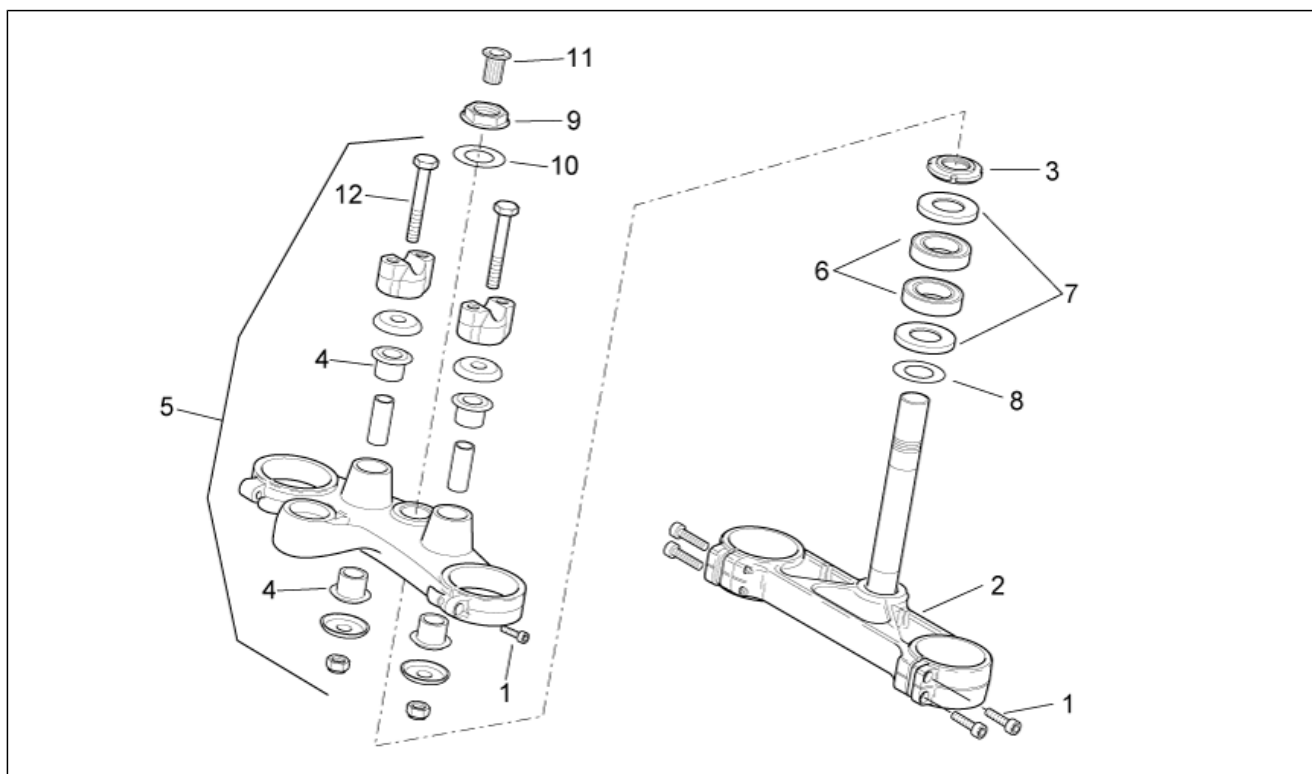
Pos.	Codice	Descrizione	Q.ta	Varianti
1	AP8163469	Base con canotto	1	<b>Specifiche Tecniche:</b> Polizia Municipale[PM], Versione Strada[SX]
2	AP8121307	Rosetta	1	<b>Specifiche Tecniche:</b> Polizia Municipale[PM], Versione Strada[SX]
3	AP8144146	Anello di tenuta	2	<b>Specifiche Tecniche:</b> Polizia Municipale[PM], Versione Strada[SX]
4	AP8110106	Cuscinetto a rulli	2	<b>Specifiche Tecniche:</b> Polizia Municipale[PM], Versione Strada[SX]
5	AP8163500	Ghiera	1	<b>Specifiche Tecniche:</b> Polizia Municipale[PM], Versione Strada[SX]
6	AP8163490	Piastra sup.forcella	1	<b>Specifiche Tecniche:</b> Polizia Municipale[PM], Versione Strada[SX]
7	AP8144222	Gommino	4	<b>Specifiche Tecniche:</b> Polizia Municipale[PM], Versione Strada[SX]
8	AP8152442	Rosetta tappo canotto	1	<b>Specifiche Tecniche:</b> Polizia Municipale[PM], Versione Strada[SX]
9	AP8123243	Dado flangiato	1	<b>Specifiche Tecniche:</b> Polizia Municipale[PM], Versione Strada[SX]
10	AP8150107	Vite TCEI M8x30	2	<b>Specifiche Tecniche:</b> Polizia Municipale[PM], Versione Strada[SX]
11	AP8150236	Vite TCEI M8x35	6	<b>Specifiche Tecniche:</b> Polizia Municipale[PM], Versione Strada[SX]
12	AP8123513	Vite	2	<b>Specifiche Tecniche:</b> Polizia Municipale[PM], Versione Strada[SX]

<b>Gruppo</b>	TELAIO
<b>Codice</b>	28.06
<b>Descrizione</b>	Sterzo-Factory
<b>Revisione</b>	1



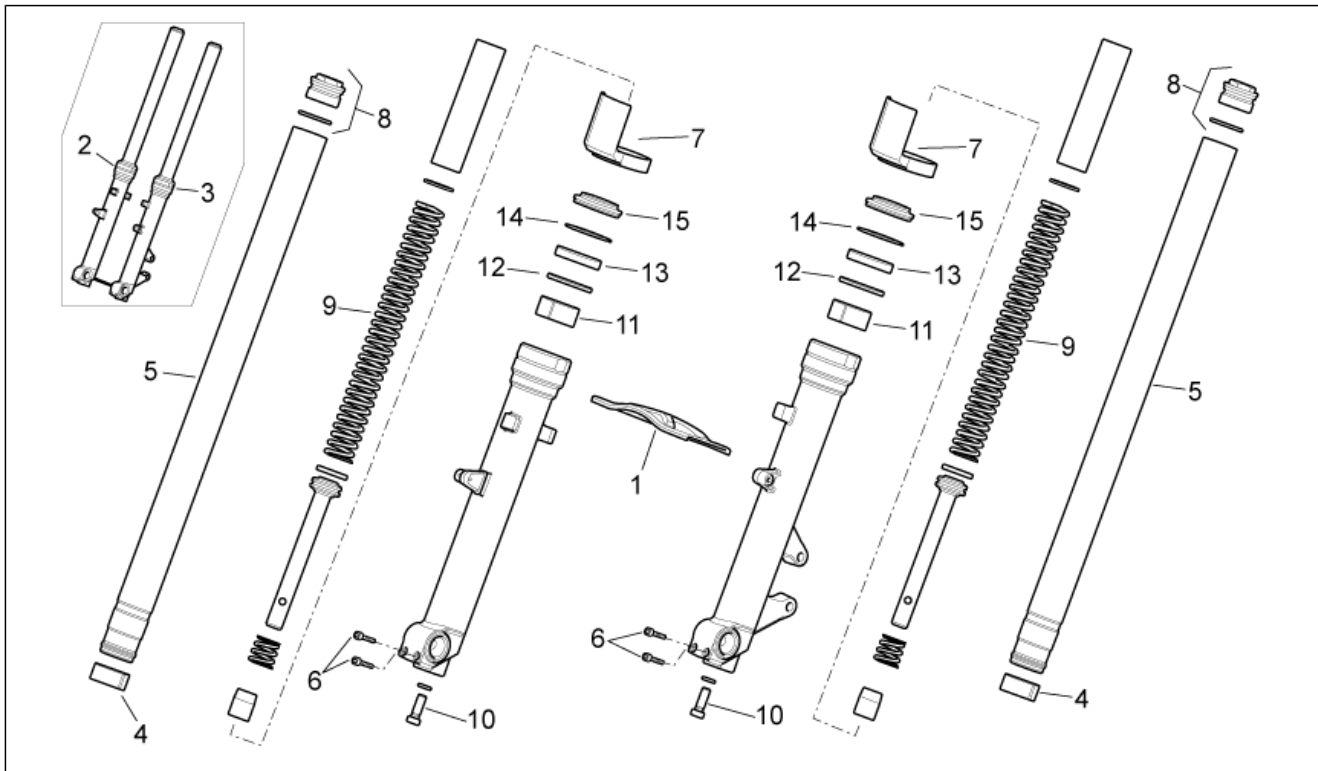
Pos.	Codice	Descrizione	Q.ta	Varianti
1	851957	Base con cannotto	1	Specifiche Tecniche:Versione Factory[Fac]
2	AP8121307	Rosetta	1	Specifiche Tecniche:Versione Factory[Fac]
3	AP8144146	Anello di tenuta	2	Specifiche Tecniche:Versione Factory[Fac]
4	AP8110106	Cuscinetto a rulli	2	Specifiche Tecniche:Versione Factory[Fac]
5	AP8163500	Ghiera	1	Specifiche Tecniche:Versione Factory[Fac]
6	852450	Piastra sup.forcella v.grigia	1	Specifiche Tecniche:Versione Factory[Fac]
7	AP8144222	Gommino	4	Specifiche Tecniche:Versione Factory[Fac]
8	AP8152442	Rosetta tappo cannotto	1	Specifiche Tecniche:Versione Factory[Fac]
9	AP8123243	Dado flangiato	1	Specifiche Tecniche:Versione Factory[Fac]
10	AP8150540	Vite tcc	2	Specifiche Tecniche:Versione Factory[Fac]
11	AP8150236	Vite TCEI M8x35	6	Specifiche Tecniche:Versione Factory[Fac]
12	AP8150088	Vite TCEI M10x70	2	Specifiche Tecniche:Versione Factory[Fac]

<b>Gruppo</b>	TELAIO
<b>Codice</b>	28.07
<b>Descrizione</b>	Sterzo-Trail
<b>Revisione</b>	1



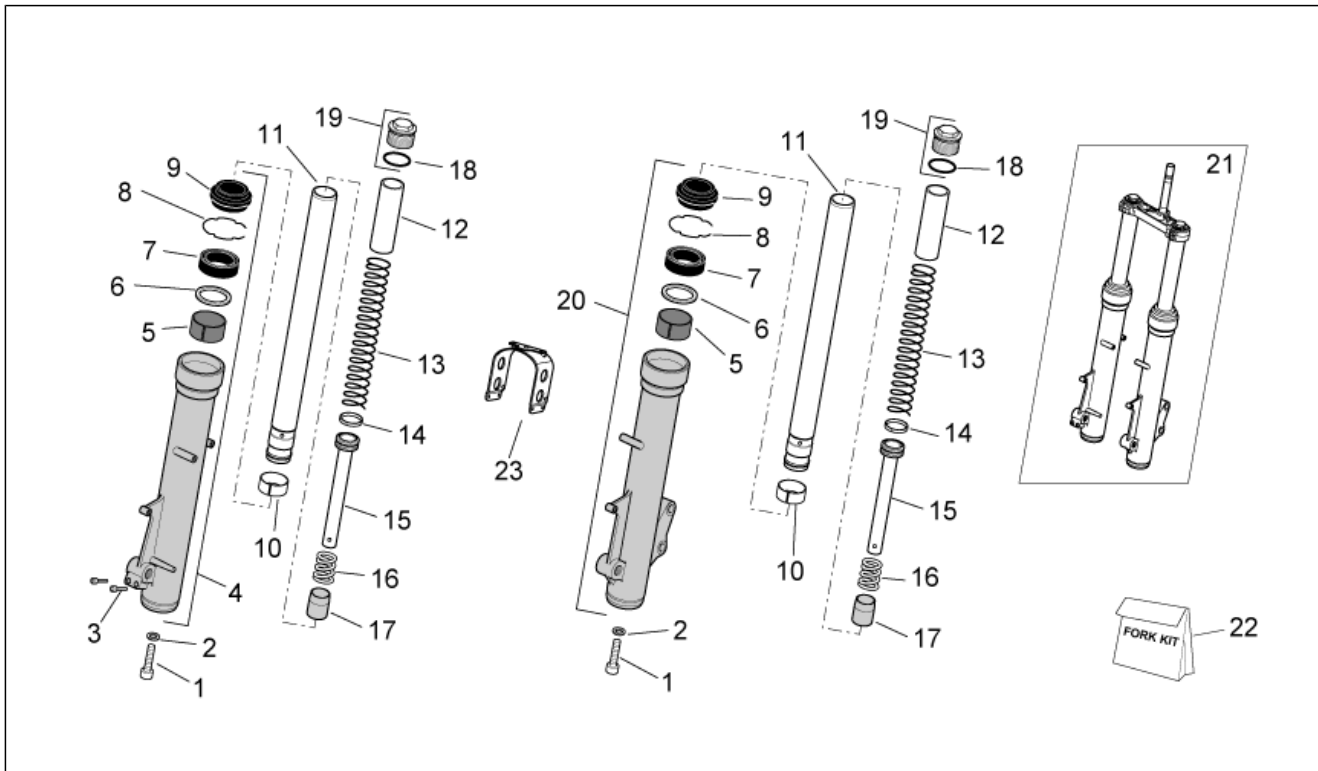
Pos.	Codice	Descrizione	Q.ta	Varianti
1	AP8150107	Vite TCEI M8x30	6	Anno:2008[8], 2009[9] <b>Specifiche Tecniche:</b> Versione Enduro Trail[RX]
1	AP8203570	Vite TCE M8x30	6	Anno:2005[5], 2006[6], 2007[7] <b>Specifiche Tecniche:</b> Versione Enduro Trail[RX]
2	AP8163561	Base con canotto	1	<b>Specifiche Tecniche:</b> Versione Enduro Trail[RX]
3	AP8163500	Ghiera	1	<b>Specifiche Tecniche:</b> Versione Enduro Trail[RX]
4	AP8103504	Silent-block	4	<b>Specifiche Tecniche:</b> Versione Enduro Trail[RX]
4	AP8144222	Gommino	4	<b>Specifiche Tecniche:</b> Versione Enduro Trail[RX]
5	AP8123963	Piastra sup.forcella	1	<b>Specifiche Tecniche:</b> Versione Enduro Trail[RX]
5	AP8163490	Piastra sup.forcella	1	<b>Specifiche Tecniche:</b> Versione Enduro Trail[RX]
6	AP8110106	Cuscinetto a rulli	2	<b>Specifiche Tecniche:</b> Versione Enduro Trail[RX]
7	AP8101106	Anello di tenuta	2	<b>Specifiche Tecniche:</b> Versione Enduro Trail[RX]
8	AP8121307	Rosetta	1	<b>Specifiche Tecniche:</b> Versione Enduro Trail[RX]
9	AP8123243	Dado flangiato	1	<b>Specifiche Tecniche:</b> Versione Enduro Trail[RX]
10	AP8152442	Rosetta tappo canotto	1	<b>Specifiche Tecniche:</b> Versione Enduro Trail[RX]
11	AP8120771	Gommino *	1	<b>Specifiche Tecniche:</b> Versione Enduro Trail[RX]
12	AP8123513	Vite	2	<b>Specifiche Tecniche:</b> Versione Enduro Trail[RX]

<b>Gruppo</b>	TELAIO
<b>Codice</b>	28.08
<b>Descrizione</b>	Forcella-Strada
<b>Revisione</b>	1



Pos.	Codice	Descrizione	Q.ta	Varianti
1	GU32494010	Piastra	1	<b>Specifiche Tecniche:</b> Versione Factory[Fac], Polizia Municipale[PM], Versione Strada[SX]
2	AP8163468	Stelo dx cpl.	1	<b>Specifiche Tecniche:</b> Versione Factory[Fac], Polizia Municipale[PM], Versione Strada[SX]
3	AP8163489	Stelo sx cpl.	1	<b>Specifiche Tecniche:</b> Versione Factory[Fac], Polizia Municipale[PM], Versione Strada[SX]
4	AP8163530	Bussola di scorrimento	2	<b>Specifiche Tecniche:</b> Versione Factory[Fac], Polizia Municipale[PM], Versione Strada[SX]
5	AP8163535	Stelo	2	<b>Specifiche Tecniche:</b> Versione Factory[Fac], Polizia Municipale[PM], Versione Strada[SX]
6	AP8223054	Vite TCEI M6x20	4	<b>Specifiche Tecniche:</b> Versione Factory[Fac], Polizia Municipale[PM], Versione Strada[SX]
7	AP8163514	Protezione stelo	2	<b>Specifiche Tecniche:</b> Versione Factory[Fac], Polizia Municipale[PM], Versione Strada[SX]
8	AP8163515	Tappo stelo	2	<b>Specifiche Tecniche:</b> Versione Factory[Fac], Polizia Municipale[PM], Versione Strada[SX]
9	AP8163519	Molla	2	<b>Specifiche Tecniche:</b> Versione Factory[Fac], Polizia Municipale[PM], Versione Strada[SX]
10	AP8163533	Vite TCEI M12x1,25x25	2	<b>Specifiche Tecniche:</b> Versione Factory[Fac], Polizia Municipale[PM], Versione Strada[SX]
11	AP8163524	Bussola di guida	2	<b>Specifiche Tecniche:</b> Versione Factory[Fac], Polizia Municipale[PM], Versione Strada[SX]
12	AP8163523	Anello	2	<b>Specifiche Tecniche:</b> Versione Factory[Fac], Polizia Municipale[PM], Versione Strada[SX]
13	AP8163522	Paraolio	2	<b>Specifiche Tecniche:</b> Versione Factory[Fac], Polizia Municipale[PM], Versione Strada[SX]
14	AP8163521	Anello di fermo	2	<b>Specifiche Tecniche:</b> Versione Factory[Fac], Polizia Municipale[PM], Versione Strada[SX]
15	AP8163520	Parapolvere	2	<b>Specifiche Tecniche:</b> Versione Factory[Fac], Polizia Municipale[PM], Versione Strada[SX]

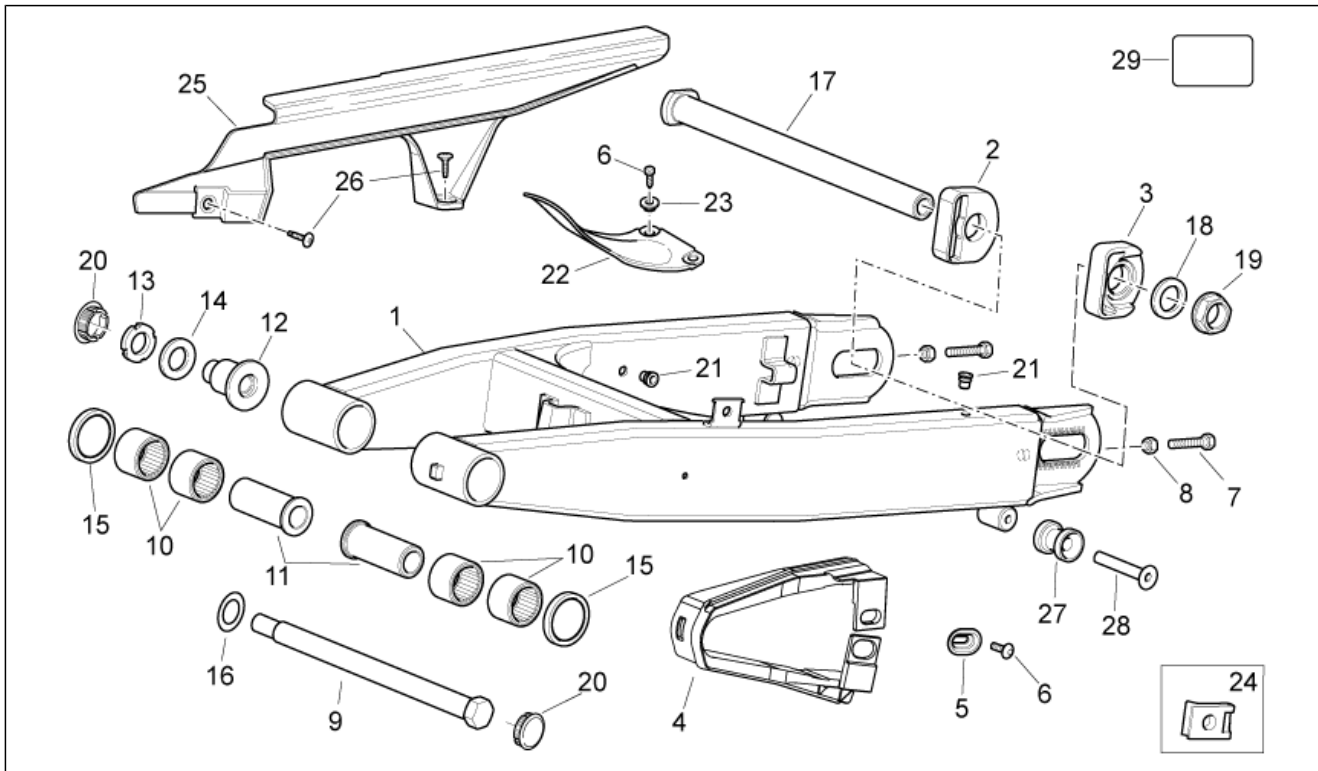
<b>Gruppo</b>	TELAIO
<b>Codice</b>	28.09
<b>Descrizione</b>	Forcella-Trail
<b>Revisione</b>	1



Pos.	Codice	Descrizione	Q.ta	Varianti
1	AP8123560	Vite pompante	2	Specifiche Tecniche:Versione Enduro Trail[RX]
2	AP8163091	Rosetta 14x10,5x1,5	2	Specifiche Tecniche:Versione Enduro Trail[RX]
3	AP8123920	Vite	2	Specifiche Tecniche:Versione Enduro Trail[RX]
4	AP8163092	Fodero DX	1	Specifiche Tecniche:Versione Enduro Trail[RX]
5	AP8163093	Bussola	2	Specifiche Tecniche:Versione Enduro Trail[RX]
6	AP8163094	Scodellino 58x46x3	2	Specifiche Tecniche:Versione Enduro Trail[RX]
7	AP8163095	Anello di tenuta 45x58x11	2	Specifiche Tecniche:Versione Enduro Trail[RX]
8	AP8163096	Anello di fermo D.63	2	Specifiche Tecniche:Versione Enduro Trail[RX]
9	AP8163097	Parapolvere D.45	2	Specifiche Tecniche:Versione Enduro Trail[RX]
10	AP8163098	Bussola	2	Specifiche Tecniche:Versione Enduro Trail[RX]
11	AP8163275	Stelo	2	Specifiche Tecniche:Versione Enduro Trail[RX]
12	AP8163276	Tubo precarica	2	Specifiche Tecniche:Versione Enduro Trail[RX]
13	AP8163101	Molla	2	Specifiche Tecniche:Versione Enduro Trail[RX]
14	AP8163102	Segmento D39,5	2	Specifiche Tecniche:Versione Enduro Trail[RX]
15	AP8163103	Asta pompante	2	Specifiche Tecniche:Versione Enduro Trail[RX]
16	AP8163076	Contromolla	2	Specifiche Tecniche:Versione Enduro Trail[RX]
17	AP8123655	Tampone di fondo	2	Specifiche Tecniche:Versione Enduro Trail[RX]
18	AP8163104	Anello OR	2	Specifiche Tecniche:Versione Enduro Trail[RX]
19	AP8163105	Tappo cpl.	2	Specifiche Tecniche:Versione Enduro Trail[RX]
20	AP8163106	Fodero SX	1	Specifiche Tecniche:Versione Enduro Trail[RX]
21	AP8163544	Forcella cpl.	1	Specifiche Tecniche:Versione Enduro Trail[RX]
22	AP8163088	Kit fork	1	Specifiche Tecniche:Versione Enduro Trail[RX]
23	AP8154055	Piastra di irrigidimento	1	Specifiche Tecniche:Versione Enduro Trail[RX]



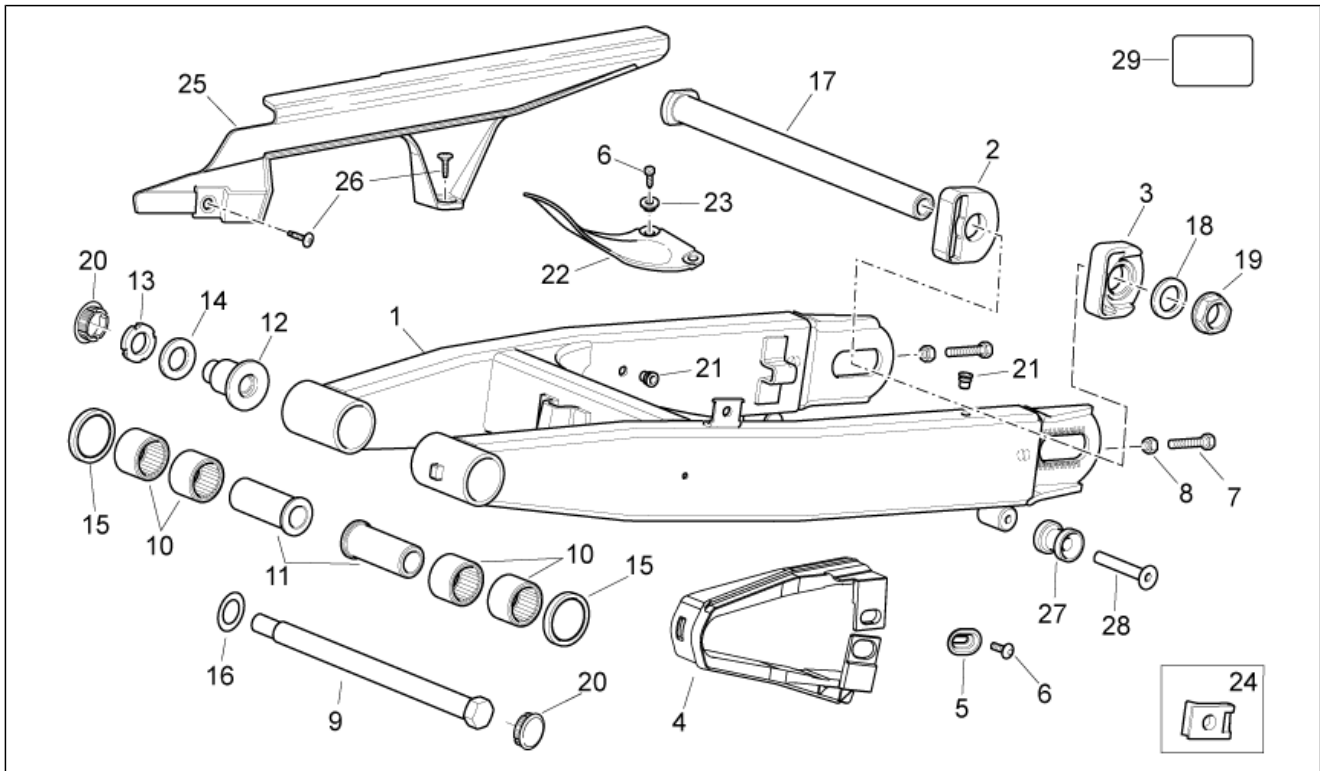
<b>Gruppo</b>	TELAIO
<b>Codice</b>	28.10
<b>Descrizione</b>	Forcellone
<b>Revisione</b>	1



Pos.	Codice	Descrizione	Q.ta	Varianti
1	AP8145078	Forcellone sab.cat.v.grigio	1	<b>Specifiche Tecniche:</b> Polizia Municipale[PM]
1	AP8145078	Forcellone sab.cat.v.grigio	1	<b>Anno:</b> 2007[7], 2008[8], 2009[9] <b>Specifiche Tecniche:</b> Versione Strada[SX]
1	AP8145078	Forcellone sab.cat.v.grigio	1	<b>Specifiche Tecniche:</b> Versione Factory[Fac]
1	AP8146928	Forcellone sab.cat.v.grigio	1	<b>Anno:</b> 2005[5], 2006[6] <b>Specifiche Tecniche:</b> Versione Strada[SX]
1	AP8146928	Forcellone sab.cat.v.grigio	1	<b>Specifiche Tecniche:</b> Versione Enduro Trail[RX]
2	AP8144702	Tendicatena dx	1	
3	AP8144703	Tendicatena sx	1	
4	AP8144687	Pattino guidacatena	1	
5	AP8234020	Scodellino per pattino	1	
6	AP8150246	Vite TCB	3	
7	AP8152305	Vite registro tendicatena	2	
8	AP8152262	Dado basso	2	
9	AP8161038	Perno forcellone D16	1	
10	AP8110070	Cuscinetto ad aghi 25x32x24	4	
11	AP8161041	Bussola perno forcellone	2	
12	AP8161028	Bussola di registrazione	1	
13	AP8150299	Ghiera M17x1	1	
14	AP8152063	Rosetta 17x30x3*	1	
15	AP8120872	Rosetta spallamento	2	
16	AP8150445	Rosetta elastica ondulata	1	
17	AP8161040	Perno ruota post.	1	
18	AP8125687	Rosetta perno ruota post.	1	
19	AP8125763	Dado perno ruota post.	1	
20	AP8105139	Tappo nero	2	
21	AP8201755	Rivetto filettato	2	
22	AP8179017	Protezione ammortizzatore	1	

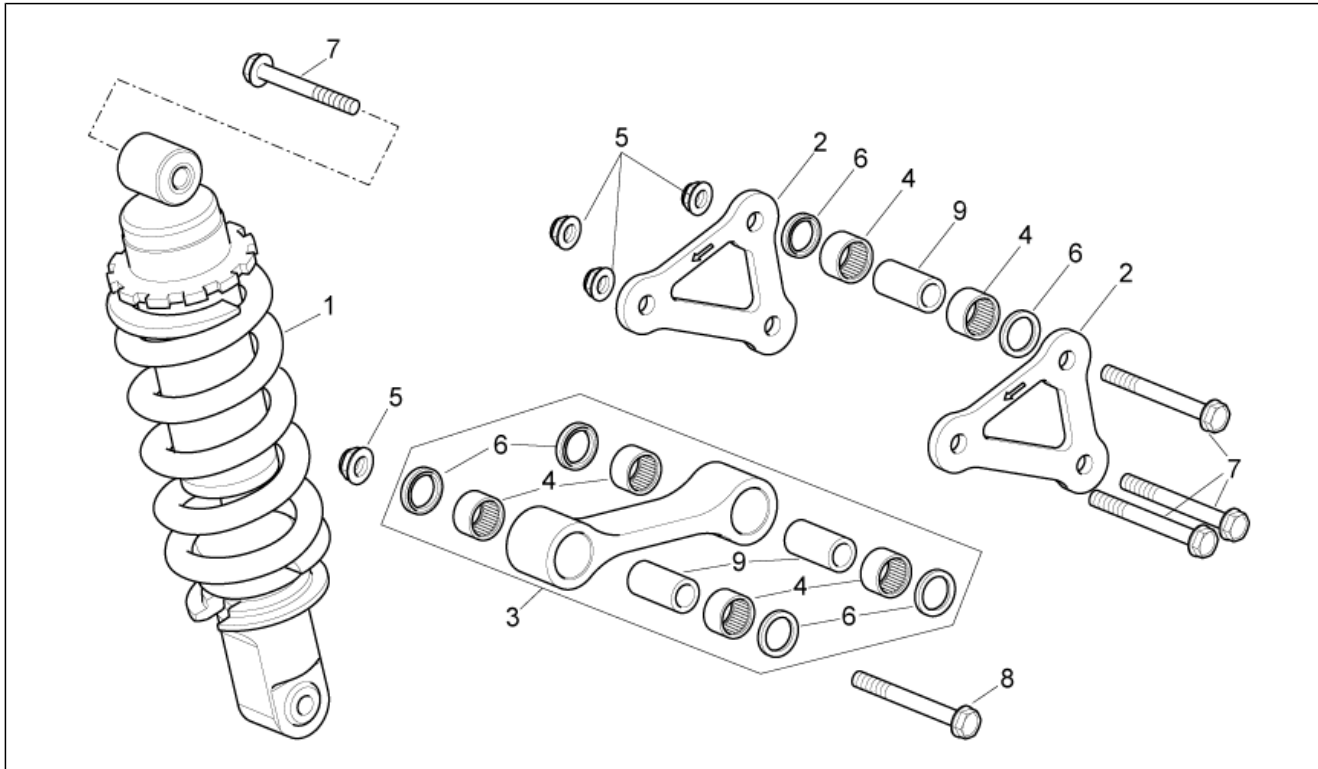


<b>Gruppo</b>	TELAIO
<b>Codice</b>	28.10
<b>Descrizione</b>	Forcellone
<b>Revisione</b>	1



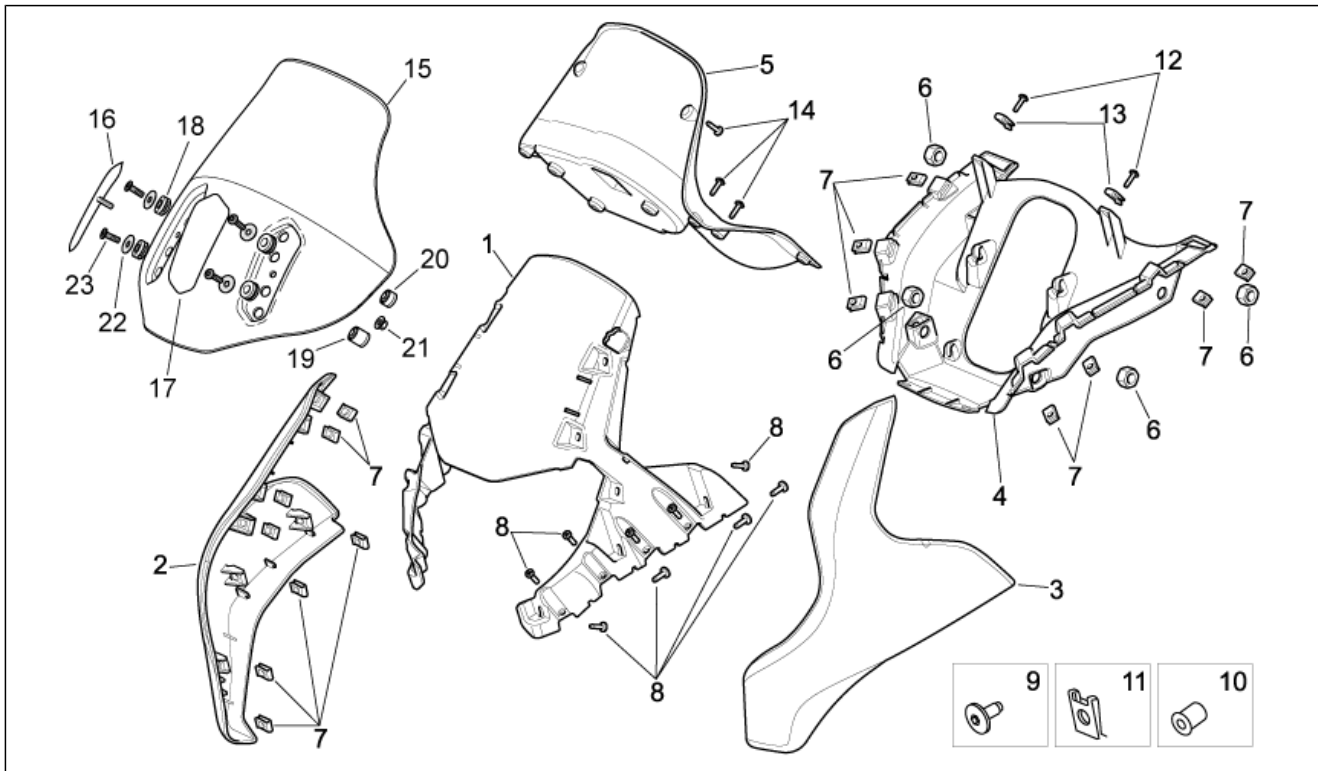
Pos.	Codice	Descrizione	Q.ta	Varianti
23	AP8121075	Bussola a 'T' *	2	
24	AP8102375	Clip m5	1	
25	AP8178810	Carter catena sup.	1	
26	AP8152302	Vite TBEI flangiata M5x12	2	
27	AP8121890	Bussola cavalletto post.	2	
28	AP8150468	Vite TSPEI M6x40	2	
29	AP8166599	Dec.catena/pneumatici	1	<b>Specifiche Tecniche:</b> Versione Enduro Trail[RX]
29	AP8166680	Decalco catena	1	<b>Specifiche Tecniche:</b> Versione Strada[SX]

<b>Gruppo</b>	TELAIO
<b>Codice</b>	28.11
<b>Descrizione</b>	Sospensione posteriore
<b>Revisione</b>	1



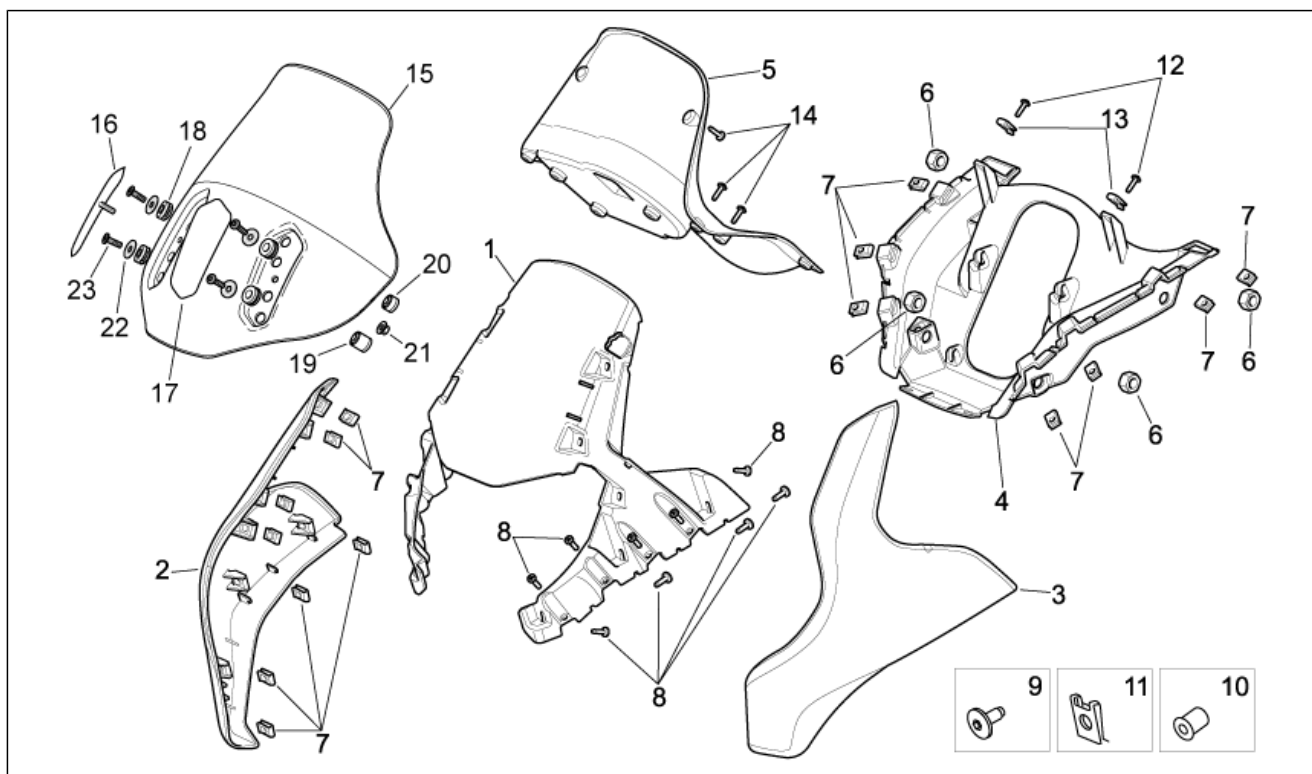
Pos.	Codice	Descrizione	Q.ta	Varianti
1	AP8163471	Ammortizzatore	1	<b>Specifiche Tecniche:</b> Versione Factory[Fac], Polizia Municipale[PM], Versione Strada[SX]
1	AP8163497	Ammortizzatore	1	<b>Specifiche Tecniche:</b> Versione Enduro Trail[RX]
2	AP8146929	Biella doppia cpl.	2	<b>Specifiche Tecniche:</b> Versione Factory[Fac], Polizia Municipale[PM], Versione Strada[SX]
2	AP8146968	Biella doppia cpl.	2	<b>Specifiche Tecniche:</b> Versione Enduro Trail[RX]
3	AP8146930	Biella singola cpl.	1	<b>Specifiche Tecniche:</b> Versione Factory[Fac], Polizia Municipale[PM], Versione Strada[SX]
3	AP8146969	Biella singola cpl.	1	<b>Specifiche Tecniche:</b> Versione Enduro Trail[RX]
4	AP8110065	Astuccio a rullini	6	
5	AP8152301	Dado autobloc.flang.	4	
6	AP8110068	Paraolio D18x24x3	6	
7	AP8152413	Vite TE flangiata M10x61	5	
8	AP8152322	Vite TE flangiata M10x65	1	
9	AP8146518	Spinotto L=36	2	

<b>Gruppo</b>	TELAIO
<b>Codice</b>	28.12
<b>Descrizione</b>	Carrozzeria anteriore I
<b>Revisione</b>	1



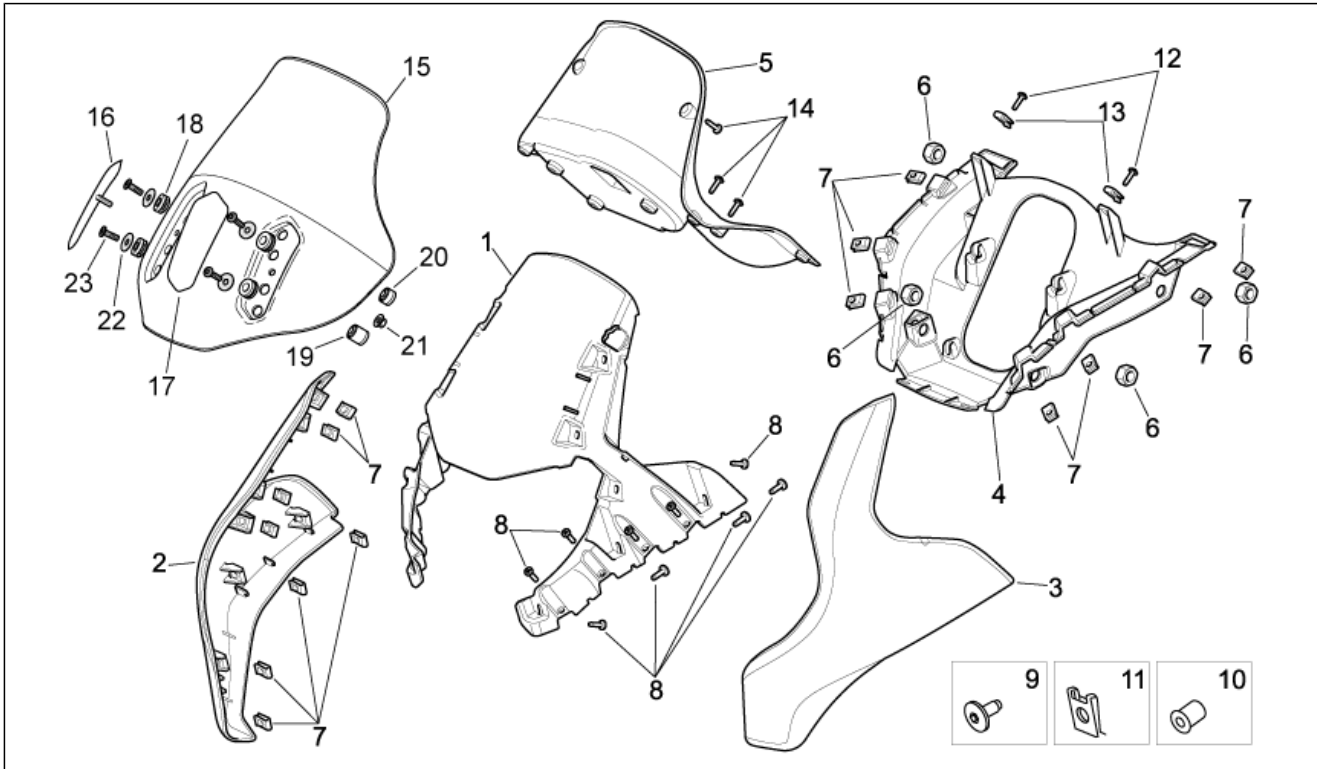
Pos.	Codice	Descrizione	Q.ta	Varianti
1	AP8178787	Cupolino centr.	1	
2	AP8178788	Cupolino dx v.grigio	1	<b>Colore veicolo:</b> Grigio Titan 2006 (s.t. 15063)[grey] <b>Specifiche Tecniche:</b> Versione Enduro Trail[RX]
2	AP8178788	Cupolino dx v.grigio	1	<b>Colore veicolo:</b> Rosso Shine 2007 (s.t.852821)[shine] <b>Specifiche Tecniche:</b> Versione Enduro Trail[RX]
2	AP8178788	Cupolino dx v.grigio	1	<b>Colore veicolo:</b> Nero Aprilia 2005 (s.t. 14833)[black], Sunset Red 2005 (s.t. 14832)[red] <b>Specifiche Tecniche:</b> Versione Strada[SX]
2	AP8178788	Cupolino dx v.grigio	1	<b>Colore veicolo:</b> Bianco Polizia Municipale 2007 (s.t.856088) [white] <b>Specifiche Tecniche:</b> Polizia Municipale[PM]
2	AP8184376	Cupolino dx v.nero	1	<b>Colore veicolo:</b> Nero Aprilia 2008 (s.t. 858323)[a.bl], Rosso Fluo 2008 (s.t.858324)[fluo] <b>Specifiche Tecniche:</b> Versione Enduro Trail[RX]
2	AP8184376	Cupolino dx v.nero	1	<b>Colore veicolo:</b> Nero Aprilia 2007 (s.t.853296)[nero] <b>Specifiche Tecniche:</b> Versione Factory[Fac]
2	AP8184429	Cupolino dx v.grigio	1	<b>Colore veicolo:</b> Grigio Platinum 2007 (s.t. 853409)[plat] <b>Specifiche Tecniche:</b> Versione Strada[SX]
2	AP8184436	Cupolino dx v.giallo	1	<b>Colore veicolo:</b> Giallo Brio 2007 (s.t.854557)[yel] <b>Specifiche Tecniche:</b> Versione Strada[SX]
2	AP8184819	Cupolino dx v.nero	1	<b>Colore veicolo:</b> Nero Grafite 2009 (s.t. 890832)[gra] <b>Specifiche Tecniche:</b> Versione Strada[SX]
2	AP8184831	Cupolino dx v.nero	1	<b>Colore veicolo:</b> Nero Aprilia 2009 (s.t. 893079)[bl09] <b>Specifiche Tecniche:</b> Versione Factory[Fac]
2	AP8184837	Cupolino dx v.bianco	1	<b>Colore veicolo:</b> Bianco Aprilia 2009 (s.t. 893528)[bia] <b>Specifiche Tecniche:</b> Versione Strada[SX]
3	AP8178789	Cupolino sx v.grigio	1	<b>Colore veicolo:</b> Grigio Titan 2006 (s.t. 15063)[grey], Rosso Shine 2007 (s.t.852821)[shine] <b>Specifiche Tecniche:</b> Versione Enduro Trail[RX]
3	AP8178789	Cupolino sx v.grigio	1	<b>Colore veicolo:</b> Bianco Polizia Municipale 2007 (s.t.856088) [white] <b>Specifiche Tecniche:</b> Polizia Municipale[PM]

<b>Gruppo</b>	TELAIO
<b>Codice</b>	28.12
<b>Descrizione</b>	Carrozzeria anteriore I
<b>Revisione</b>	1



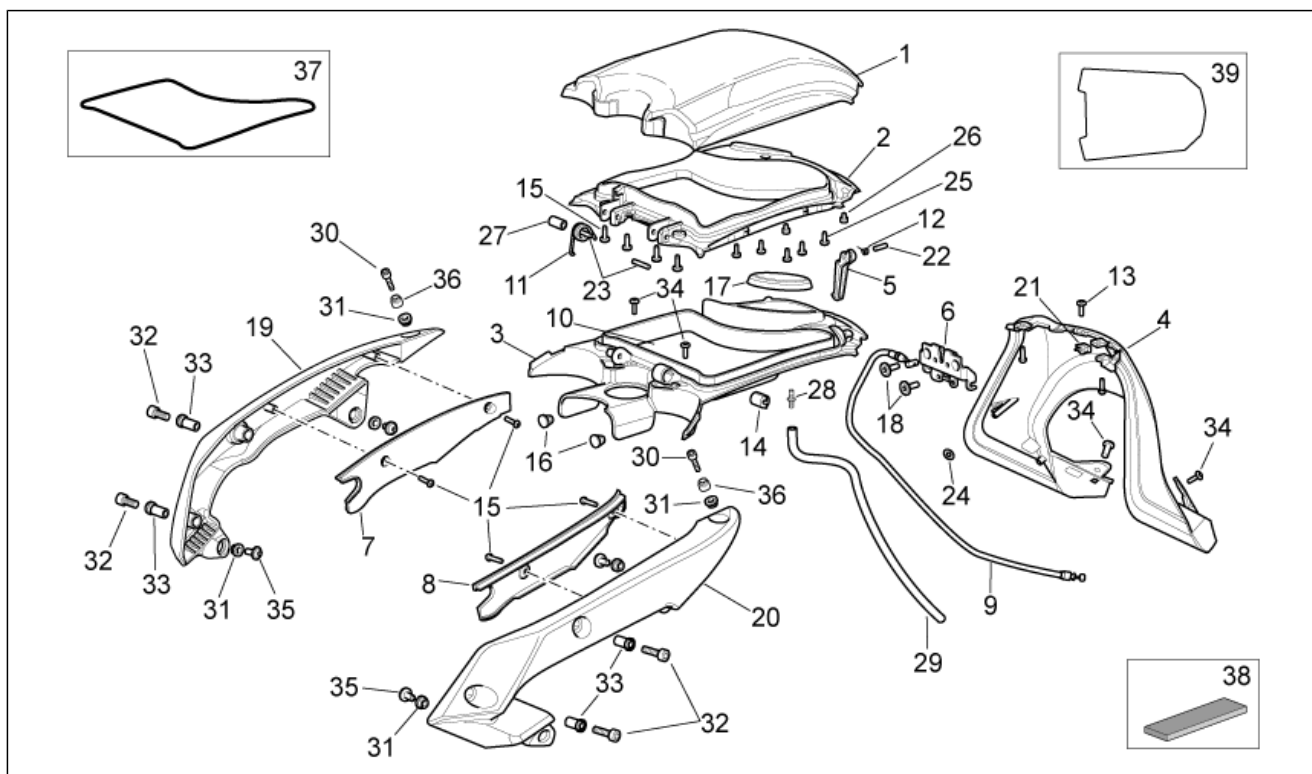
Pos.	Codice	Descrizione	Q.ta	Varianti
3	AP8178789	Cupolino sx v.grigio	1	<b>Colore veicolo:</b> Nero Aprilia 2005 (s.t. 14833)[black], Sunset Red 2005 (s.t. 14832)[red] <b>Specifiche Tecniche:</b> Versione Strada[SX]
3	AP8184377	Cupolino sx v.nero	1	<b>Colore veicolo:</b> Nero Aprilia 2007 (s.t.853296)[nero] <b>Specifiche Tecniche:</b> Versione Factory[Fac]
3	AP8184377	Cupolino sx v.nero	1	<b>Colore veicolo:</b> Nero Aprilia 2008 (s.t. 858323)[a.bl], Rosso Fluo 2008 (s.t.858324)[fluo] <b>Specifiche Tecniche:</b> Versione Enduro Trail[RX]
3	AP8184430	Cupolino sx v.grigio	1	<b>Colore veicolo:</b> Grigio Platinum 2007 (s.t. 853409)[plat] <b>Specifiche Tecniche:</b> Versione Strada[SX]
3	AP8184437	Cupolino sx v.giallo	1	<b>Colore veicolo:</b> Giallo Brio 2007 (s.t.854557)[yel] <b>Specifiche Tecniche:</b> Versione Strada[SX]
3	AP8184820	Cupolino sx v.nero	1	<b>Colore veicolo:</b> Nero Grafite 2009 (s.t. 890832)[gra] <b>Specifiche Tecniche:</b> Versione Strada[SX]
3	AP8184832	Cupolino sx v.nero	1	<b>Colore veicolo:</b> Nero Aprilia 2009 (s.t. 893079)[bl09] <b>Specifiche Tecniche:</b> Versione Factory[Fac]
3	AP8184838	Cupolino sx v.bianco	1	<b>Colore veicolo:</b> Bianco Aprilia 2009 (s.t. 893528)[bia] <b>Specifiche Tecniche:</b> Versione Strada[SX]
4	AP8178790	Base testa nera	1	
5	AP8178792	Plancia cruscotto	1	
6	AP8150519	Dado quadro M6	4	
7	AP8102381	Clip M4	18	
8	AP8150493	Vite TBEI M4x16	18	
9	AP8152298	Vite TBEI flangiata M5x16	4	
10	AP8120531	Gommino con inserto *	2	
11	AP8102375	Clip m5	2	
12	AP8152351	Vite TCB 4,2x16*	2	
13	AP8144599	Clip per vite autofil.	2	
14	AP8150522	Vite TCB 4,2x16	6	
15	AP8178791	Cupolino	1	<b>Specifiche Tecniche:</b> Versione Enduro Trail[RX]
16	AP8154037	Staffa dx	1	<b>Specifiche Tecniche:</b> Versione Enduro Trail[RX]

<b>Gruppo</b>	TELAIO
<b>Codice</b>	28.12
<b>Descrizione</b>	Carrozzeria anteriore I
<b>Revisione</b>	1



Pos.	Codice	Descrizione	Q.ta	Varianti
17	AP8154038	Staffa sx	1	<b>Specifiche Tecniche:</b> Versione Enduro Trail[RX]
18	AP8120405	Gommino	4	<b>Specifiche Tecniche:</b> Versione Enduro Trail[RX]
19	AP8161106	Distanziale L=19,5	2	<b>Specifiche Tecniche:</b> Versione Enduro Trail[RX]
20	AP8161107	Distanziale L=14,5	2	<b>Specifiche Tecniche:</b> Versione Enduro Trail[RX]
21	AP8152306	Dado autobloc.flang. m5	2	<b>Specifiche Tecniche:</b> Versione Enduro Trail[RX]
22	AP8150013	Rosetta 5,5x15x1,6*	4	<b>Specifiche Tecniche:</b> Versione Enduro Trail[RX]
23	AP8225369	Vite TBEI	2	<b>Specifiche Tecniche:</b> Versione Enduro Trail[RX]

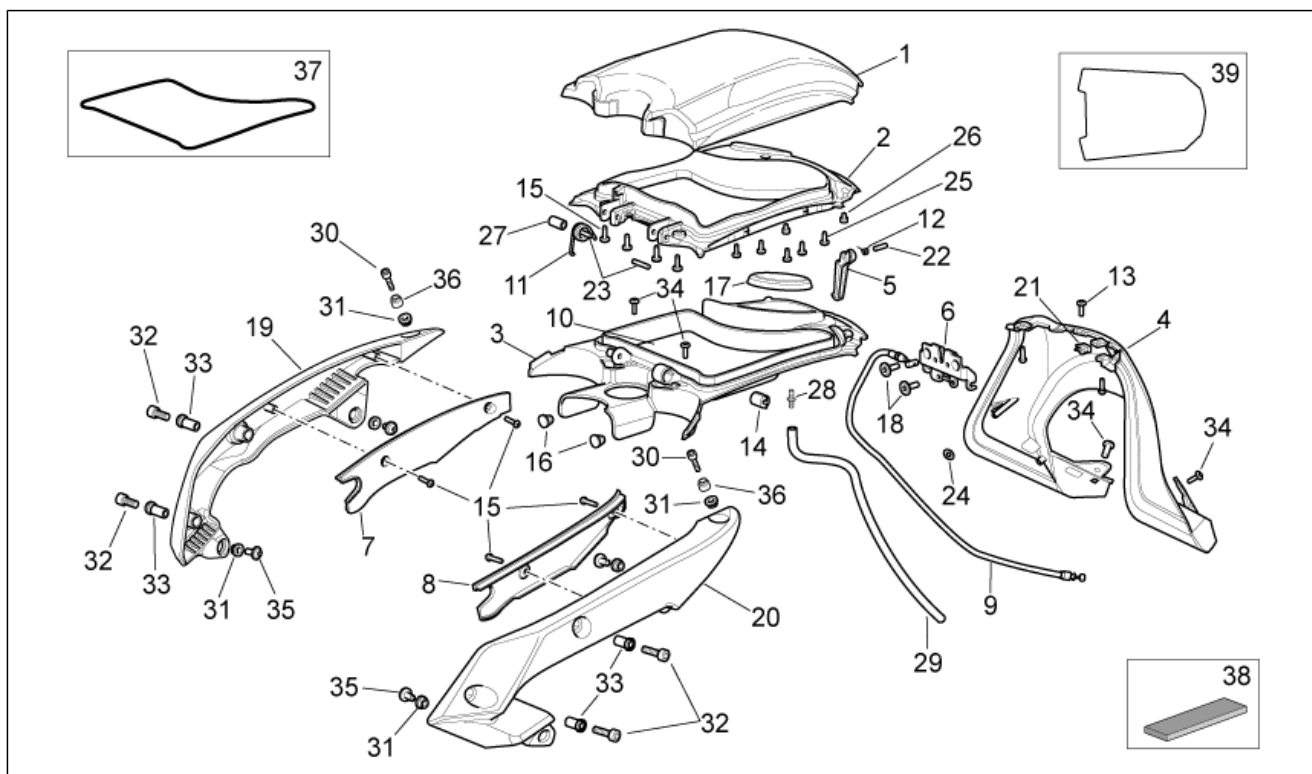
<b>Gruppo</b>	TELAIO
<b>Codice</b>	28.13
<b>Descrizione</b>	Carrozzeria anteriore II
<b>Revisione</b>	1



Pos.	Codice	Descrizione	Q.ta	Varianti
1	AP8178806	Coperchio serbatoio	1	
2	AP8178899	Base coperchio	1	
3	AP8104839	Portadocumenti	1	
4	AP8178900	Copriserbatoio benz.	1	
5	AP8144682	Linguetta	1	
6	AP8102947	Piastra chiusura sella	1	
7	AP8178809	Cornice dx grigio	1	<b>Colore veicolo:</b> Nero Aprilia 2005 (s.t. 14833)[black], Sunset Red 2005 (s.t. 14832)[red] <b>Specifiche Tecniche:</b> Versione Strada[SX]
7	AP8179351	Cornice dx nero	1	<b>Colore veicolo:</b> Bianco Polizia Municipale 2007 (s.t.856088) [white] <b>Specifiche Tecniche:</b> Polizia Municipale[PM]
7	AP8179351	Cornice dx nero	1	<b>Colore veicolo:</b> Grigio Platinum 2007 (s.t. 853409)[plat], Giallo Brio 2007 (s.t.854557)[yel] <b>Specifiche Tecniche:</b> Versione Strada[SX]
7	AP8179351	Cornice dx nero	1	<b>Colore veicolo:</b> Nero Aprilia 2007 (s.t.853296)[nero] <b>Specifiche Tecniche:</b> Versione Factory[Fac]
7	AP8179351	Cornice dx nero	1	<b>Colore veicolo:</b> Grigio Titan 2006 (s.t. 15063)[grey], Rosso Shine 2007 (s.t.852821)[shine] <b>Specifiche Tecniche:</b> Versione Enduro Trail[RX]
7	AP8179351	Cornice dx nero	1	<b>Colore veicolo:</b> Nero Aprilia 2008 (s.t. 858323)[a.bl], Rosso Fluo 2008 (s.t.858324)[fluo] <b>Specifiche Tecniche:</b> Versione Enduro Trail[RX]
7	AP8179351	Cornice dx nero	1	<b>Colore veicolo:</b> Bianco Aprilia 2009 (s.t. 893528)[bia], Nero Aprilia 2009 (s.t. 893079)[bl09], Nero Grafite 2009 (s.t. 890832)[gra] <b>Specifiche Tecniche:</b> Versione Factory[Fac], Versione Strada[SX]
8	AP8178808	Cornice sx grigio	1	<b>Colore veicolo:</b> Nero Aprilia 2005 (s.t. 14833)[black], Sunset Red 2005 (s.t. 14832)[red] <b>Specifiche Tecniche:</b> Versione Strada[SX]
8	AP8179352	Cornice sx nero	1	<b>Colore veicolo:</b> Grigio Platinum 2007 (s.t. 853409)[plat], Giallo Brio 2007 (s.t.854557)[yel]

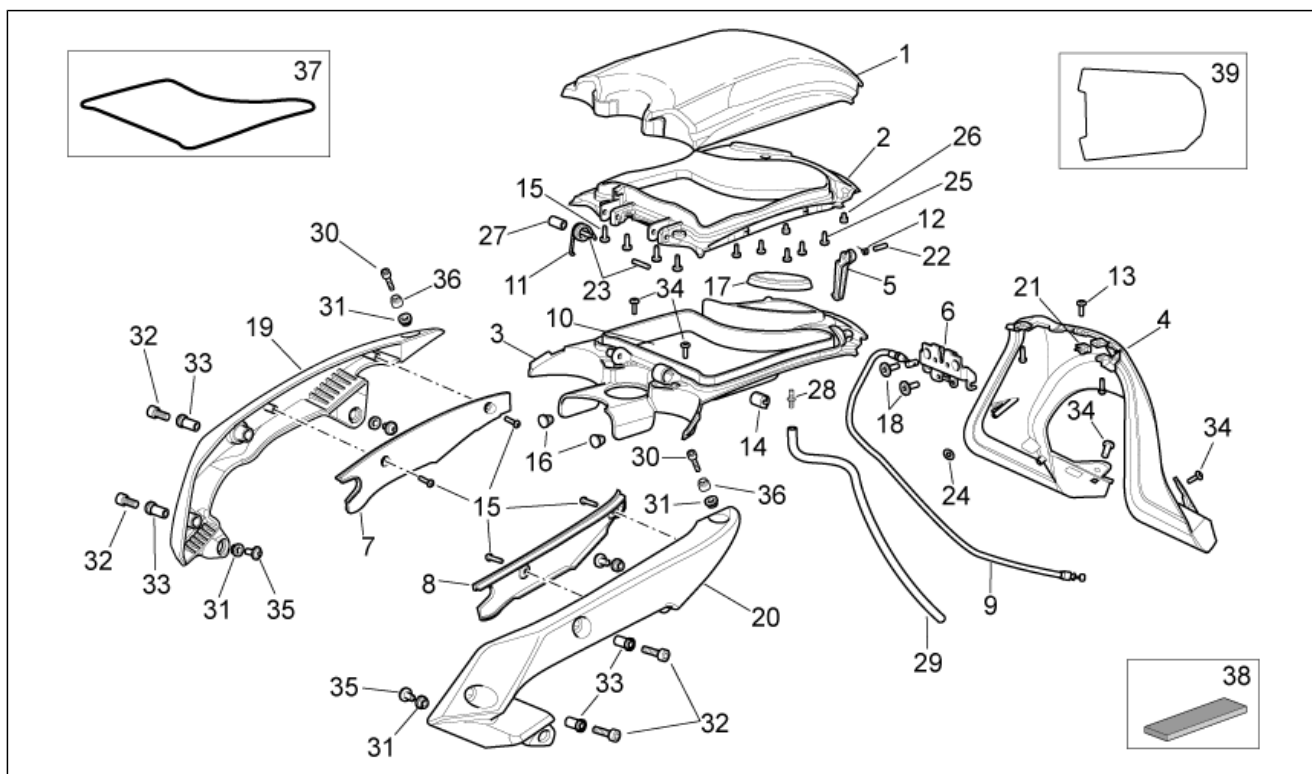


<b>Gruppo</b>	TELAIO
<b>Codice</b>	28.13
<b>Descrizione</b>	Carrozzeria anteriore II
<b>Revisione</b>	1



Pos.	Codice	Descrizione	Q.ta	Varianti
				<b>Specifiche Tecniche:</b> Versione Strada[SX]
8	AP8179352	Cornice sx nero	1	<b>Colore veicolo:</b> Nero Aprilia 2007 (s.t.853296)[nero] <b>Specifiche Tecniche:</b> Versione Factory[Fac]
8	AP8179352	Cornice sx nero	1	<b>Colore veicolo:</b> Bianco Aprilia 2009 (s.t. 893528)[bia], Nero Aprilia 2009 (s.t. 893079)[bl09], Nero Grafite 2009 (s.t. 890832)[gra] <b>Specifiche Tecniche:</b> Versione Factory[Fac], Versione Strada[SX]
8	AP8179352	Cornice sx nero	1	<b>Colore veicolo:</b> Nero Aprilia 2008 (s.t. 858323)[a.bl], Rosso Fluo 2008 (s.t.858324)[fluo] <b>Specifiche Tecniche:</b> Versione Enduro Trail[RX]
8	AP8179352	Cornice sx nero	1	<b>Colore veicolo:</b> Nero Aprilia 2007 (s.t.853296)[nero] <b>Specifiche Tecniche:</b> Polizia Municipale[PM]
8	AP8179352	Cornice sx nero	1	<b>Colore veicolo:</b> Grigio Titan 2006 (s.t. 15063)[grey], Rosso Shine 2007 (s.t.852821)[shine] <b>Specifiche Tecniche:</b> Versione Enduro Trail[RX]
9	AP8114482	Cavo apertura cofano	1	
10	AP8178807	Tappeto in gomma	1	
11	AP8161050	Molla apertura cofano	1	
12	AP8161030	Molla	1	
13	AP8121184	Vite tbce M4x14	1	
14	AP8104890	Damper	1	
15	AP8150413	Vite autof. 3,9x14	12	
16	AP8144087	Gommino	2	
17	AP8144684	Guarnizione bocchettone	1	
18	AP8152226	Vite TBEI	2	
19	AP8178793	Supporto cupolino dx	1	<b>Colore veicolo:</b> Nero Aprilia 2005 (s.t. 14833)[black], Sunset Red 2005 (s.t. 14832)[red] <b>Specifiche Tecniche:</b> Versione Strada[SX]
19	AP8179349	Supporto cupolino dx nero	1	<b>Colore veicolo:</b> Rosso Fluo 2008 (s.t.858324)[fluo], Grigio Titan 2006 (s.t. 15063)[grey], Rosso Shine 2007 (s.t.852821)[shine]

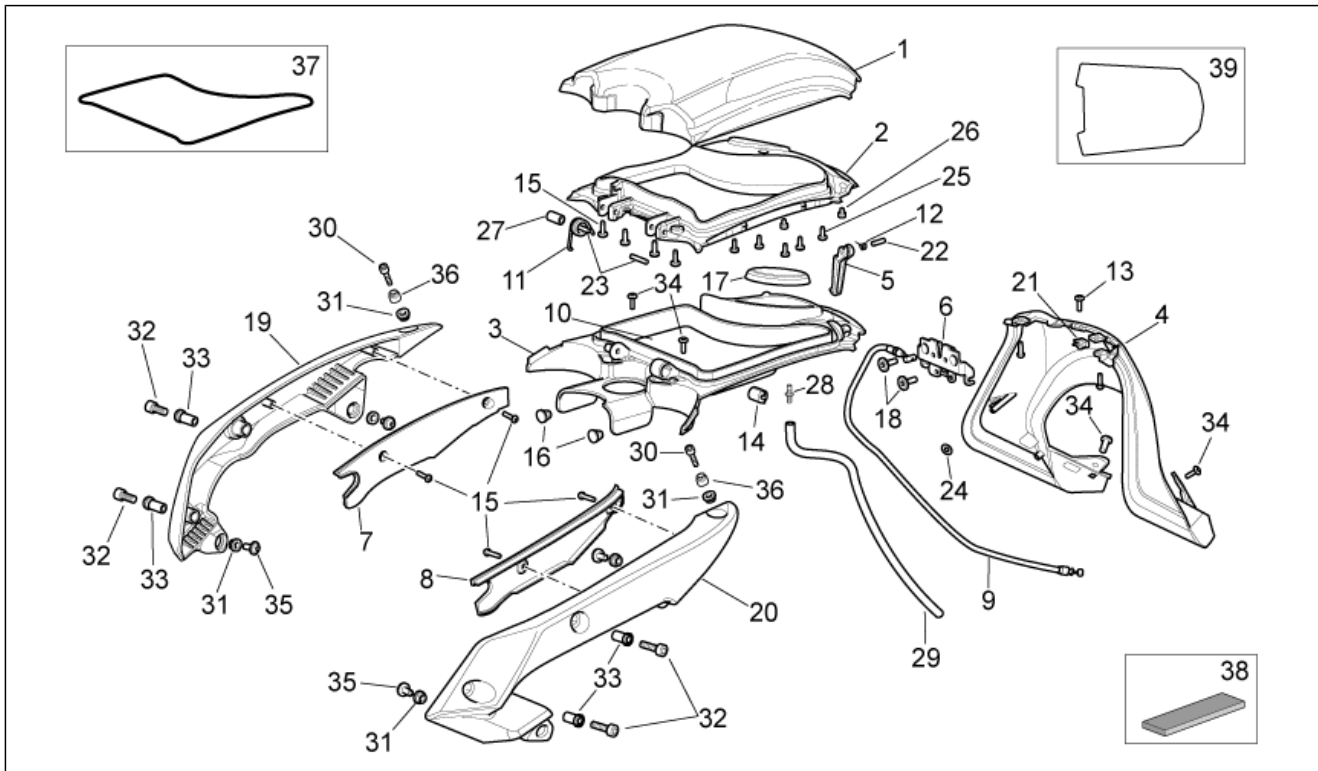
<b>Gruppo</b>	TELAIO
<b>Codice</b>	28.13
<b>Descrizione</b>	Carrozzeria anteriore II
<b>Revisione</b>	1



Pos.	Codice	Descrizione	Q.ta	Varianti
				<b>Specifiche Tecniche:</b> Versione Enduro Trail[RX]
19	AP8184381	Supporto cupolino dx v.grigio	1	<b>Colore veicolo:</b> Nero Aprilia 2008 (s.t. 858323)[a.bl] <b>Specifiche Tecniche:</b> Versione Enduro Trail[RX]
19	AP8184381	Supporto cupolino dx v.grigio	1	<b>Colore veicolo:</b> Grigio Platinum 2007 (s.t. 853409)[plat], Giallo Brio 2007 (s.t.854557)[yel] <b>Specifiche Tecniche:</b> Versione Strada[SX]
19	AP8184381	Supporto cupolino dx v.grigio	1	<b>Colore veicolo:</b> Bianco Aprilia 2009 (s.t. 893528)[bia], Nero Aprilia 2009 (s.t. 893079)[bl09], Nero Grafite 2009 (s.t. 890832)[gra] <b>Specifiche Tecniche:</b> Versione Factory[Fac], Versione Strada[SX]
19	AP8184381	Supporto cupolino dx v.grigio	1	<b>Colore veicolo:</b> Nero Aprilia 2007 (s.t.853296)[nero] <b>Specifiche Tecniche:</b> Versione Factory[Fac]
19	AP8184381	Supporto cupolino dx v.grigio	1	<b>Colore veicolo:</b> Bianco Polizia Municipale 2007 (s.t.856088) [white] <b>Specifiche Tecniche:</b> Polizia Municipale[PM]
20	AP8178794	Supporto cupolino sx	1	<b>Colore veicolo:</b> Nero Aprilia 2005 (s.t. 14833)[black], Sunset Red 2005 (s.t. 14832)[red] <b>Specifiche Tecniche:</b> Versione Strada[SX]
20	AP8179350	Supporto cupolino sx nero	1	<b>Colore veicolo:</b> Rosso Fluo 2008 (s.t.858324)[fluo], Grigio Titan 2006 (s.t. 15063)[grey], Rosso Shine 2007 (s.t.852821) [shine] <b>Specifiche Tecniche:</b> Versione Enduro Trail[RX]
20	AP8184382	Supporto cupolino sx v.grigio	1	<b>Colore veicolo:</b> Nero Aprilia 2007 (s.t.853296)[nero] <b>Specifiche Tecniche:</b> Versione Factory[Fac]
20	AP8184382	Supporto cupolino sx v.grigio	1	<b>Colore veicolo:</b> Bianco Polizia Municipale 2007 (s.t.856088) [white] <b>Specifiche Tecniche:</b> Polizia Municipale[PM]
20	AP8184382	Supporto cupolino sx v.grigio	1	<b>Colore veicolo:</b> Grigio Platinum 2007 (s.t. 853409)[plat], Giallo Brio 2007 (s.t.854557)[yel] <b>Specifiche Tecniche:</b> Versione Strada[SX]
20	AP8184382	Supporto cupolino sx v.grigio	1	<b>Colore veicolo:</b> Bianco Aprilia 2009 (s.t. 893528)[bia], Nero Aprilia 2009 (s.t. 893079)[bl09], Nero Grafite 2009 (s.t. 890832)[gra]

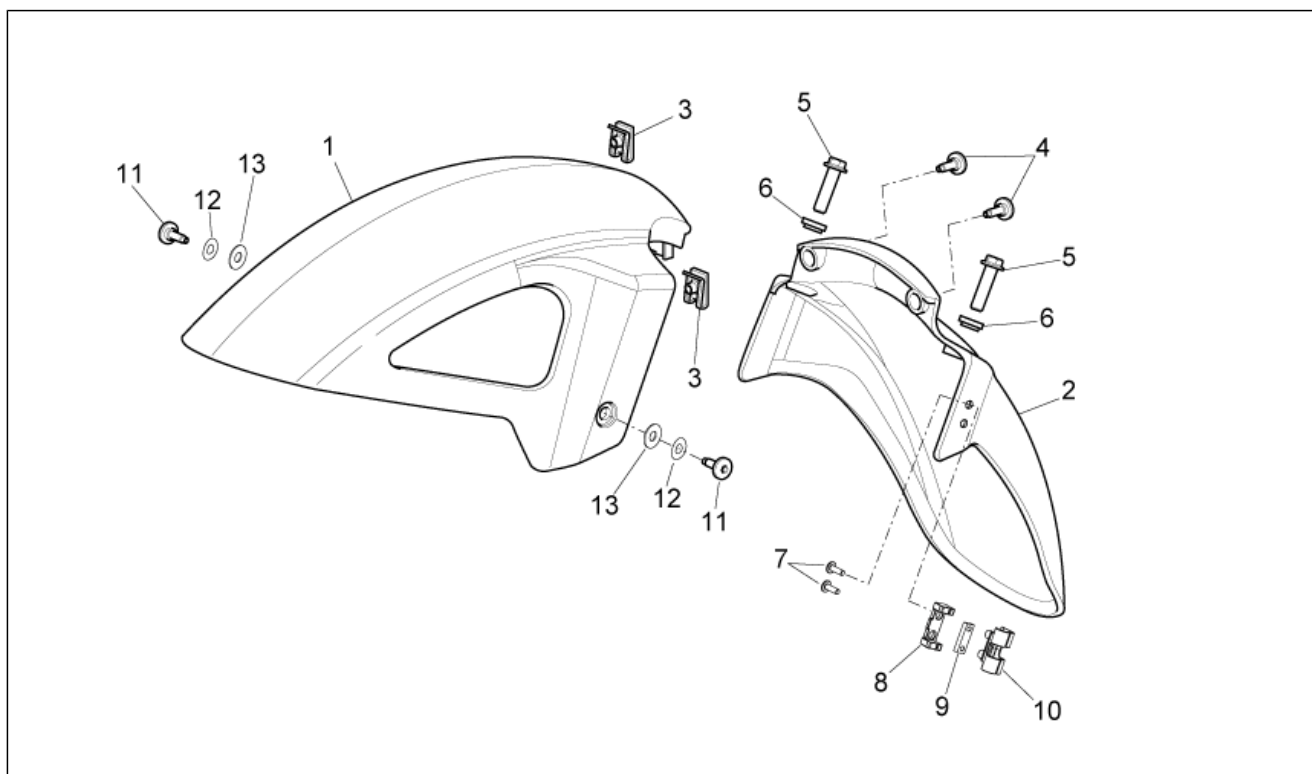


<b>Gruppo</b>	TELAIO
<b>Codice</b>	28.13
<b>Descrizione</b>	Carrozzeria anteriore II
<b>Revisione</b>	1



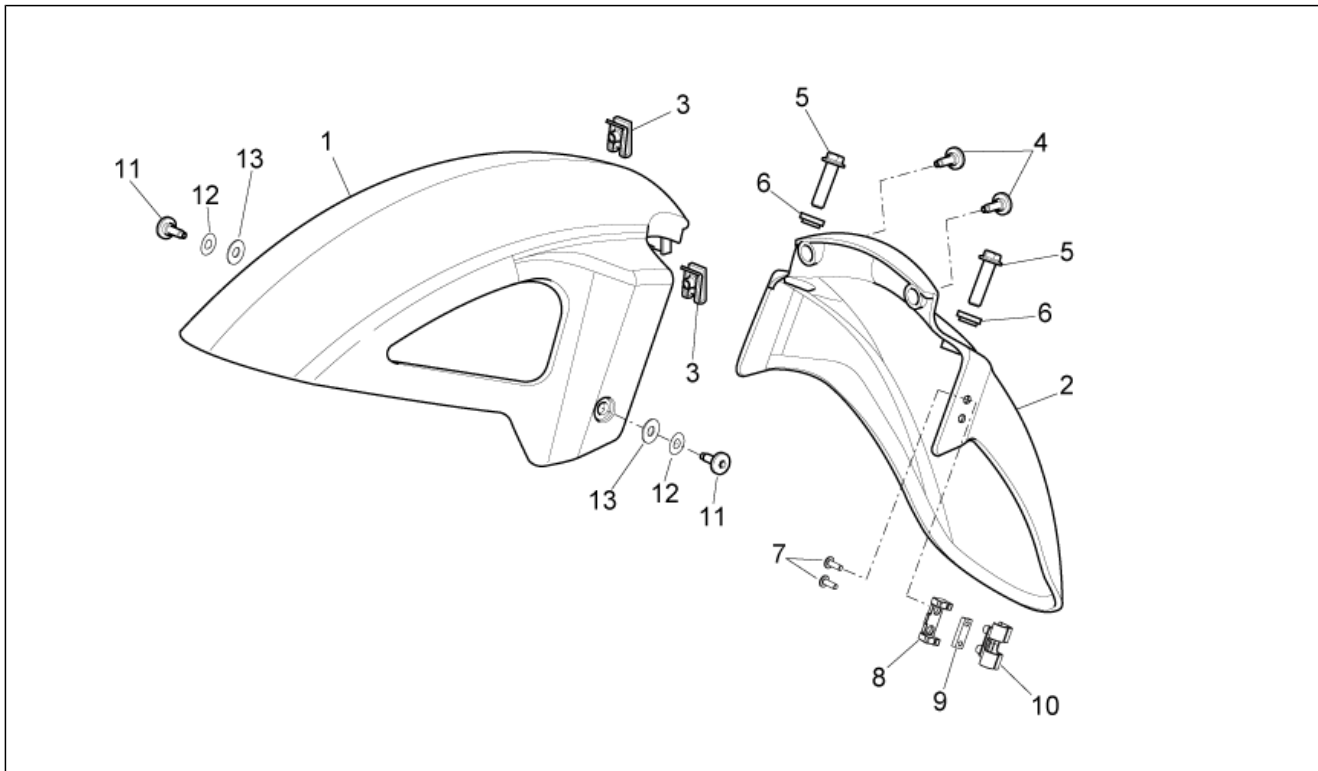
Pos.	Codice	Descrizione	Q.ta	Varianti
				<b>Specifiche Tecniche:</b> Versione Factory[Fac], Versione Strada[SX]
20	AP8184382	Supporto cupolino sx v.grigio	1	<b>Colore veicolo:</b> Nero Aprilia 2008 (s.t. 858323)[a.bl] <b>Specifiche Tecniche:</b> Versione Enduro Trail[RX]
21	AP8102381	Clip M4	1	
22	AP8161056	Perno	1	
23	AP8161055	Perno	2	
24	AP8150450	Rosetta per alberi D5	1	
25	AP8150444	Vite autof.per plast.inox	5	
26	AP8220488	Gommino a funghetto	2	
27	AP8161077	Bussola rotazione molla	1	
28	AP8101944	Raccordo a due vie	1	
29	AP8120952	Tubo benz. 5,5x10	1	
30	AP8150521	Vite TCEI	2	
31	AP8221129	Bussola	6	
32	AP8152479	Vite TCEI M6x30	4	
33	AP8161082	Bussola distanziale	4	
34	AP8152267	Vite TBEI speciale	5	
35	AP8152246	Vite TBEI flangiata	4	
36	AP8152478	Bussola	2	
37	AP8144570	Guarnizione sportello portaog.	1	
38	AP8117004	Spugna adesiva 15x8	2	
39	854616	Pannello fonoassorbente	1	

<b>Gruppo</b>	TELAIO
<b>Codice</b>	28.14
<b>Descrizione</b>	Carrozzeria anteriore III
<b>Revisione</b>	1



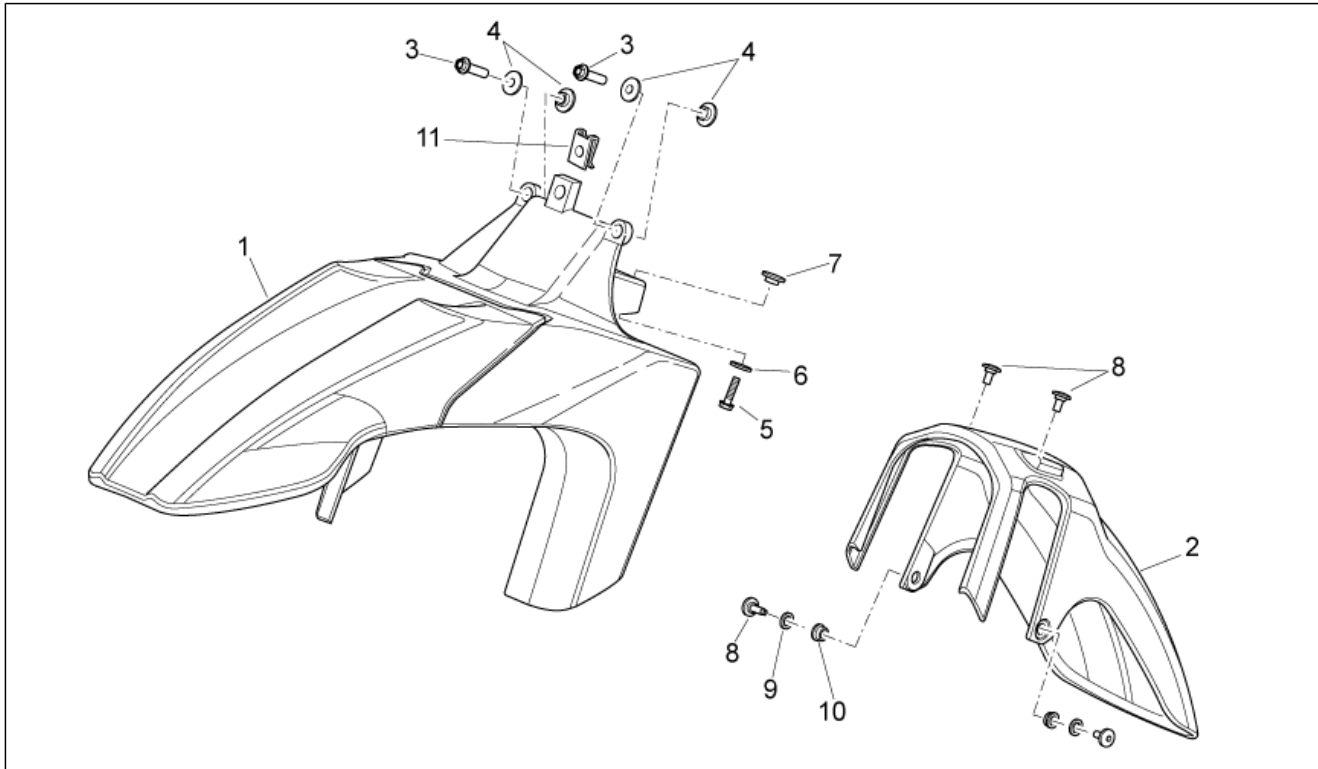
Pos.	Codice	Descrizione	Q.ta	Varianti
1	852473	Parafango ant.sup.carb.	1	<b>Colore veicolo:</b> Nero Aprilia 2009 (s.t. 893079)[bl09], Nero Aprilia 2007 (s.t.853296)[nero] <b>Specifiche Tecniche:</b> Versione Factory[Fac]
1	AP8156166	Parafango ant.super.	1	<b>Colore veicolo:</b> Nero Aprilia 2005 (s.t. 14833)[black], Sunset Red 2005 (s.t. 14832)[red] <b>Specifiche Tecniche:</b> Versione Strada[SX]
1	AP8156332	Parafango ant.sup.v.grigio	1	<b>Colore veicolo:</b> Grigio Platinum 2007 (s.t. 853409)[plat] <b>Specifiche Tecniche:</b> Versione Strada[SX]
1	AP8156333	Parafango ant.sup.v.giallo	1	<b>Colore veicolo:</b> Giallo Brio 2007 (s.t.854557)[yel] <b>Specifiche Tecniche:</b> Versione Strada[SX]
1	AP8156335	Parafango ant.sup.v.bianco	1	<b>Colore veicolo:</b> Bianco Polizia Municipale 2007 (s.t.856088)[white] <b>Specifiche Tecniche:</b> Polizia Municipale[PM]
1	AP8156384	Parafango ant.sup.v.grigio	1	<b>Colore veicolo:</b> Bianco Aprilia 2009 (s.t. 893528)[bia] <b>Specifiche Tecniche:</b> Versione Strada[SX]
1	AP8184823	Parafango ant.sup.v.grigio	1	<b>Colore veicolo:</b> Nero Grafite 2009 (s.t. 890832)[gra] <b>Specifiche Tecniche:</b> Versione Strada[SX]
2	852474	Parafango ant.inf.nero	1	<b>Colore veicolo:</b> Nero Aprilia 2009 (s.t. 893079)[bl09], Nero Aprilia 2007 (s.t.853296)[nero] <b>Specifiche Tecniche:</b> Versione Factory[Fac]
2	AP8156187	Parafango ant.infer.	1	<b>Colore veicolo:</b> Bianco Polizia Municipale 2007 (s.t.856088)[white] <b>Specifiche Tecniche:</b> Polizia Municipale[PM]
2	AP8156187	Parafango ant.infer.	1	<b>Colore veicolo:</b> Nero Aprilia 2005 (s.t. 14833)[black], Grigio Platinum 2007 (s.t. 853409)[plat], Sunset Red 2005 (s.t. 14832)[red] <b>Specifiche Tecniche:</b> Versione Strada[SX]
2	AP8156187	Parafango ant.infer.	1	<b>Colore veicolo:</b> Bianco Aprilia 2009 (s.t. 893528)[bia], Nero Grafite 2009 (s.t. 890832)[gra], Giallo Brio 2007 (s.t.854557)[yel] <b>Specifiche Tecniche:</b> Versione Strada[SX]
3	AP8102375	Clip m5	2	<b>Specifiche Tecniche:</b> Versione Factory[Fac], Polizia Municipale[PM], Versione Strada[SX]

<b>Gruppo</b>	TELAIO
<b>Codice</b>	28.14
<b>Descrizione</b>	Carrozzeria anteriore III
<b>Revisione</b>	1



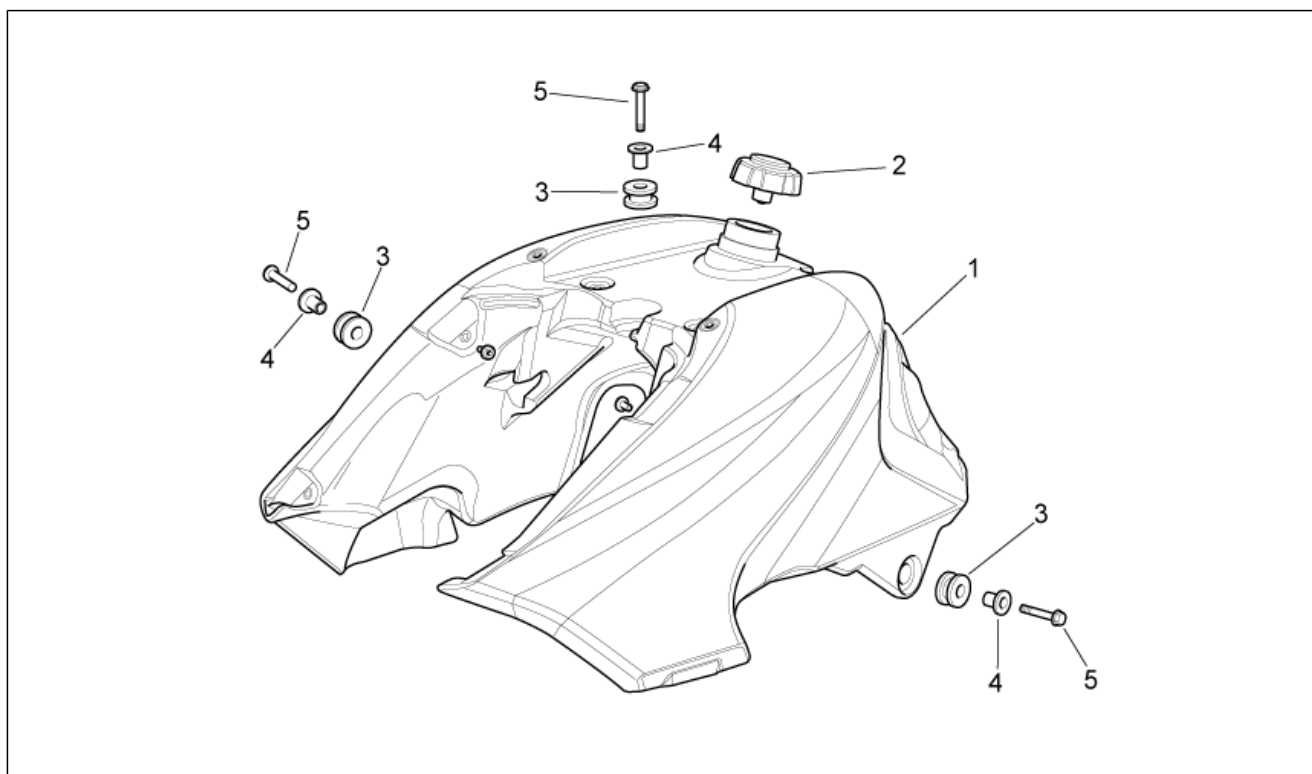
Pos.	Codice	Descrizione	Q.ta	Varianti
4	AP8150500	Vite TBEI M5x9	2	<b>Specifiche Tecniche:</b> Polizia Municipale[PM], Versione Strada[SX]
5	AP8152287	Vite TE flangiata M8x25	2	<b>Specifiche Tecniche:</b> Versione Factory[Fac], Polizia Municipale[PM], Versione Strada[SX]
6	AP8221218	Bussola parafango	2	<b>Specifiche Tecniche:</b> Versione Factory[Fac], Polizia Municipale[PM], Versione Strada[SX]
7	AP8152298	Vite TBEI flangiata M5x16	2	<b>Specifiche Tecniche:</b> Versione Factory[Fac]
8	AP8161212	Supporto interno	1	<b>Specifiche Tecniche:</b> Versione Factory[Fac]
9	AP8154099	Piastrina	1	<b>Specifiche Tecniche:</b> Versione Factory[Fac]
10	AP8161201	Supporto esterno	1	<b>Specifiche Tecniche:</b> Versione Factory[Fac]
11	AP8150500	Vite TBEI M5x9	2	<b>Specifiche Tecniche:</b> Polizia Municipale[PM], Versione Strada[SX]
11	AP8152298	Vite TBEI flangiata M5x16	2	<b>Specifiche Tecniche:</b> Versione Factory[Fac]
12	AP8150272	Rosetta elastica curva 5,3x10x0,5	2	<b>Specifiche Tecniche:</b> Versione Factory[Fac]
13	AP8150382	Rosetta 15x5,5X1,2	2	<b>Specifiche Tecniche:</b> Versione Factory[Fac]

<b>Gruppo</b>	TELAIO
<b>Codice</b>	28.15
<b>Descrizione</b>	Carrozzeria anteriore IIII
<b>Revisione</b>	1



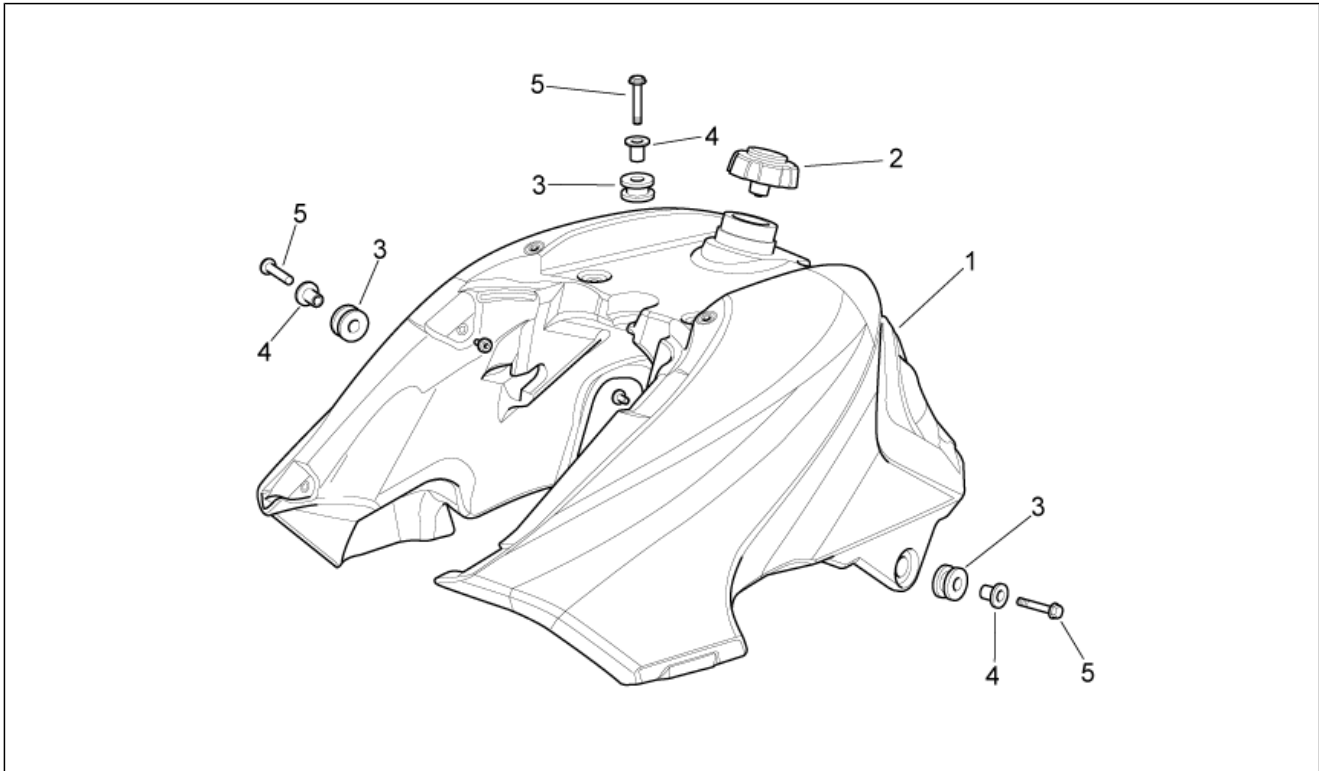
Pos.	Codice	Descrizione	Q.ta	Varianti
1	AP8156220	Parafango ant.super.nero	1	<b>Colore veicolo:</b> Grigio Titan 2006 (s.t. 15063)[grey] <b>Specifiche Tecniche:</b> Versione Enduro Trail[RX]
1	AP8156316	Parafango ant.sup.rosso	1	<b>Colore veicolo:</b> Rosso Shine 2007 (s.t.852821)[shine] <b>Specifiche Tecniche:</b> Versione Enduro Trail[RX]
1	AP8156347	Parafango ant.sup.v.nero	1	<b>Colore veicolo:</b> Nero Aprilia 2008 (s.t. 858323)[a.bl] <b>Specifiche Tecniche:</b> Versione Enduro Trail[RX]
1	AP8156348	Parafango ant.sup.v.rosso	1	<b>Colore veicolo:</b> Rosso Fluo 2008 (s.t.858324)[fluo] <b>Specifiche Tecniche:</b> Versione Enduro Trail[RX]
2	AP8156221	Parafango ant.inf.nero	1	<b>Anno:</b> 2005[5], 2007[7], 2008[8] <b>Specifiche Tecniche:</b> Versione Enduro Trail[RX]
3	AP8152280	Vite te flang. M6x25	2	<b>Specifiche Tecniche:</b> Versione Enduro Trail[RX]
4	AP8221145	Bussola a 'T' *	4	<b>Specifiche Tecniche:</b> Versione Enduro Trail[RX]
5	AP8152278	Vite TE flangiata M6x16	2	<b>Specifiche Tecniche:</b> Versione Enduro Trail[RX]
6	AP8152181	Rosetta ferro piana 6,4x15x1	2	<b>Specifiche Tecniche:</b> Versione Enduro Trail[RX]
7	AP8121075	Bussola a 'T' *	2	<b>Specifiche Tecniche:</b> Versione Enduro Trail[RX]
8	AP8152338	Vite TBEI flangiata	4	<b>Specifiche Tecniche:</b> Versione Enduro Trail[RX]
9	AP8150382	Rosetta 15x5,5X1,2	2	<b>Specifiche Tecniche:</b> Versione Enduro Trail[RX]
10	AP8121811	Bussola a 'T'	2	<b>Specifiche Tecniche:</b> Versione Enduro Trail[RX]
11	AP8102375	Clip m5	1	<b>Specifiche Tecniche:</b> Versione Enduro Trail[RX]

<b>Gruppo</b>	TELAIO
<b>Codice</b>	28.16
<b>Descrizione</b>	Serbatoio carburante
<b>Revisione</b>	1



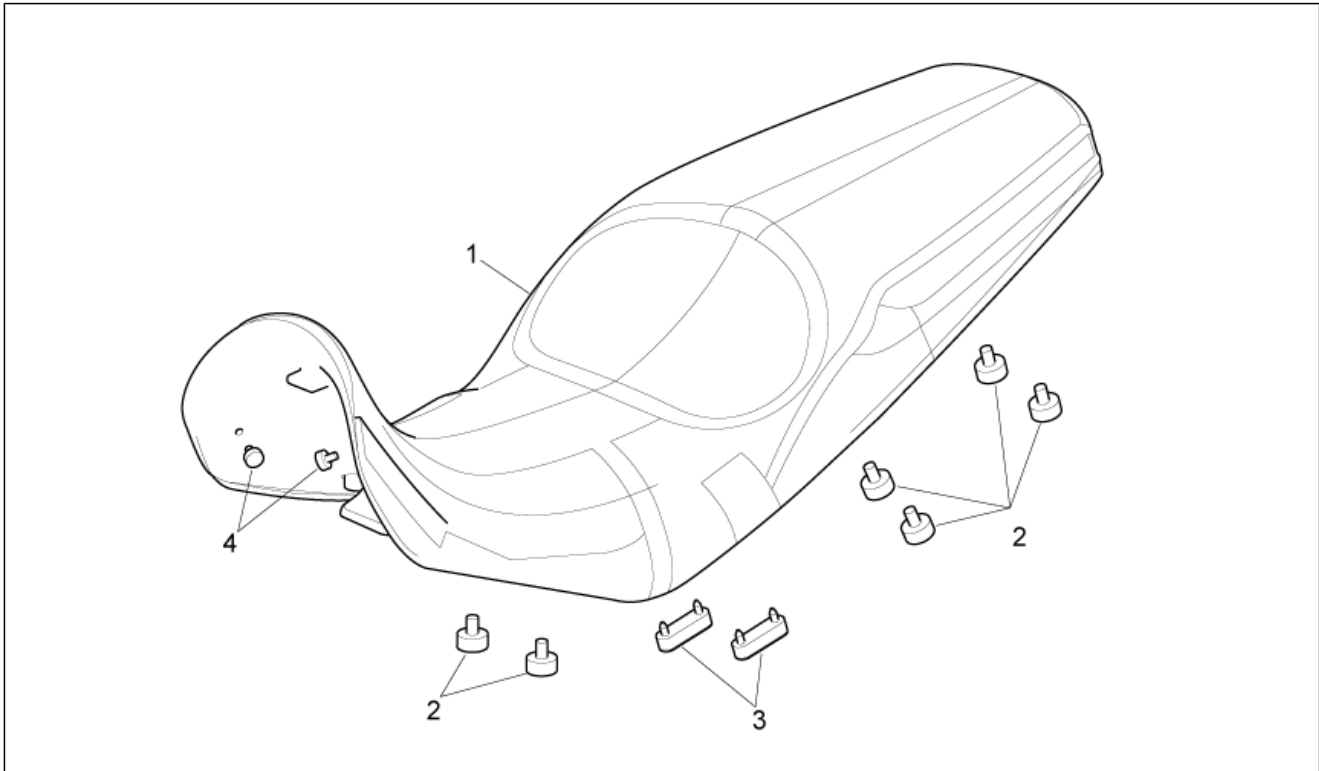
Pos.	Codice	Descrizione	Q.ta	Varianti
1	AP8178812	Serbatoio benz.v.rosso	1	<b>Colore veicolo:</b> Sunset Red 2005 (s.t. 14832)[red] <b>Specifiche Tecniche:</b> Particolare decalcato[D], Versione Strada[SX]
1	AP8179278	Serbatoio benz.v.grigio	1	<b>Colore veicolo:</b> Grigio Titan 2006 (s.t. 15063)[grey] <b>Specifiche Tecniche:</b> Particolare decalcato[D], Versione Enduro Trail[RX]
1	AP8184054	Serbatoio benz.v.bianco	1	<b>Colore veicolo:</b> Bianco Polizia Municipale 2007 (s.t.856088) [white] <b>Specifiche Tecniche:</b> Polizia Municipale[PM]
1	AP8184198	Serbatoio benz.v.rosso	1	<b>Colore veicolo:</b> Rosso Shine 2007 (s.t.852821)[shine] <b>Specifiche Tecniche:</b> Particolare decalcato[D], Versione Enduro Trail[RX]
1	AP8184375	Serbatoio benz.v.nero	1	<b>Colore veicolo:</b> Nero Aprilia 2007 (s.t.853296)[nero] <b>Specifiche Tecniche:</b> Particolare decalcato[D], Versione Factory[Fac]
1	AP8184419	Serbatoio benz.v.grigio	1	<b>Colore veicolo:</b> Grigio Platinum 2007 (s.t. 853409)[plat] <b>Specifiche Tecniche:</b> Particolare decalcato[D], Versione Strada[SX]
1	AP8184435	Serbatoio benz.v.giallo	1	<b>Colore veicolo:</b> Giallo Brio 2007 (s.t.854557)[yel] <b>Specifiche Tecniche:</b> Particolare decalcato[D], Versione Strada[SX]
1	AP8184566	Serbatoio benz.v.nero	1	<b>Colore veicolo:</b> Nero Aprilia 2008 (s.t. 858323)[a.bl] <b>Specifiche Tecniche:</b> Particolare decalcato[D], Versione Enduro Trail[RX]
1	AP8184569	Serbatoio benz.v.rosso	1	<b>Colore veicolo:</b> Rosso Fluo 2008 (s.t.858324)[fluo] <b>Specifiche Tecniche:</b> Particolare decalcato[D], Versione Enduro Trail[RX]
1	AP8184818	Serbatoio benz.v.nero	1	<b>Colore veicolo:</b> Nero Grafite 2009 (s.t. 890832)[gra] <b>Specifiche Tecniche:</b> Particolare decalcato[D], Versione Strada[SX]
1	AP8184830	Serbatoio benz.v.nero	1	<b>Colore veicolo:</b> Nero Aprilia 2009 (s.t. 893079)[bl09] <b>Specifiche Tecniche:</b> Particolare decalcato[D], Versione Factory[Fac]
1	AP8184836	Serbatoio benz.v.bianco	1	<b>Colore veicolo:</b> Bianco Aprilia 2009 (s.t. 893528)[bia]

<b>Gruppo</b>	TELAIO
<b>Codice</b>	28.16
<b>Descrizione</b>	Serbatoio carburante
<b>Revisione</b>	1



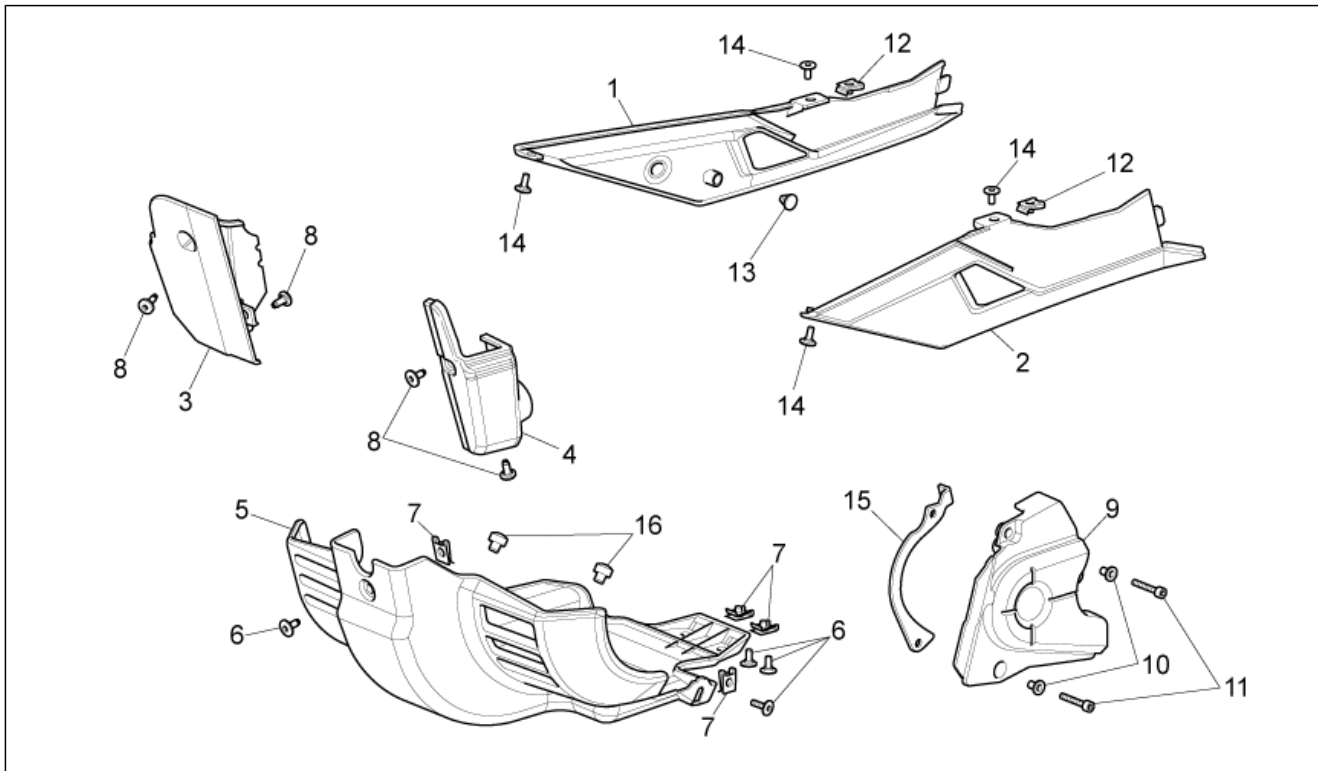
Pos.	Codice	Descrizione	Q.ta	Varianti
				<b>Specifiche Tecniche:</b> Particolare decalcato[D], Versione Strada[SX]
1	AP8268442	Serbatoio benz.v.nero	1	<b>Colore veicolo:</b> Nero Aprilia 2005 (s.t. 14833)[black] <b>Specifiche Tecniche:</b> Particolare decalcato[D], Versione Strada[SX]
2	AP8104885	Tappo serbatoio benzina	1	
3	AP8144713	Gommino	3	
4	AP8161196	Distanziale	3	
5	AP8152283	Vite TE flangiata	3	

<b>Gruppo</b>	TELAIO
<b>Codice</b>	28.17
<b>Descrizione</b>	Sella
<b>Revisione</b>	1



Pos.	Codice	Descrizione	Q.ta	Varianti
1	AP8129443	Sella nera	1	Anno:2005[5], 2007[7] Specifiche Tecniche:Versione Enduro Trail[RX]
1	AP8129443	Sella nera	1	Anno:2005[5] Specifiche Tecniche:Versione Strada[SX]
1	AP8129506	Sella nera	1	Anno:2007[7] Specifiche Tecniche:Versione Factory[Fac]
1	AP8129507	Sella nera	1	Anno:2008[8] Specifiche Tecniche:Versione Enduro Trail[RX]
1	AP8129507	Sella nera	1	Anno:2007[7] Specifiche Tecniche:Polizia Municipale[PM], Versione Strada[SX]
1	AP8129520	Sella nera	1	Anno:2009[9] Specifiche Tecniche:Versione Strada[SX]
2	AP8144089	Gommino sella ant.	6	
3	AP8126701	Gommino sella	2	
4	AP8144087	Gommino	2	

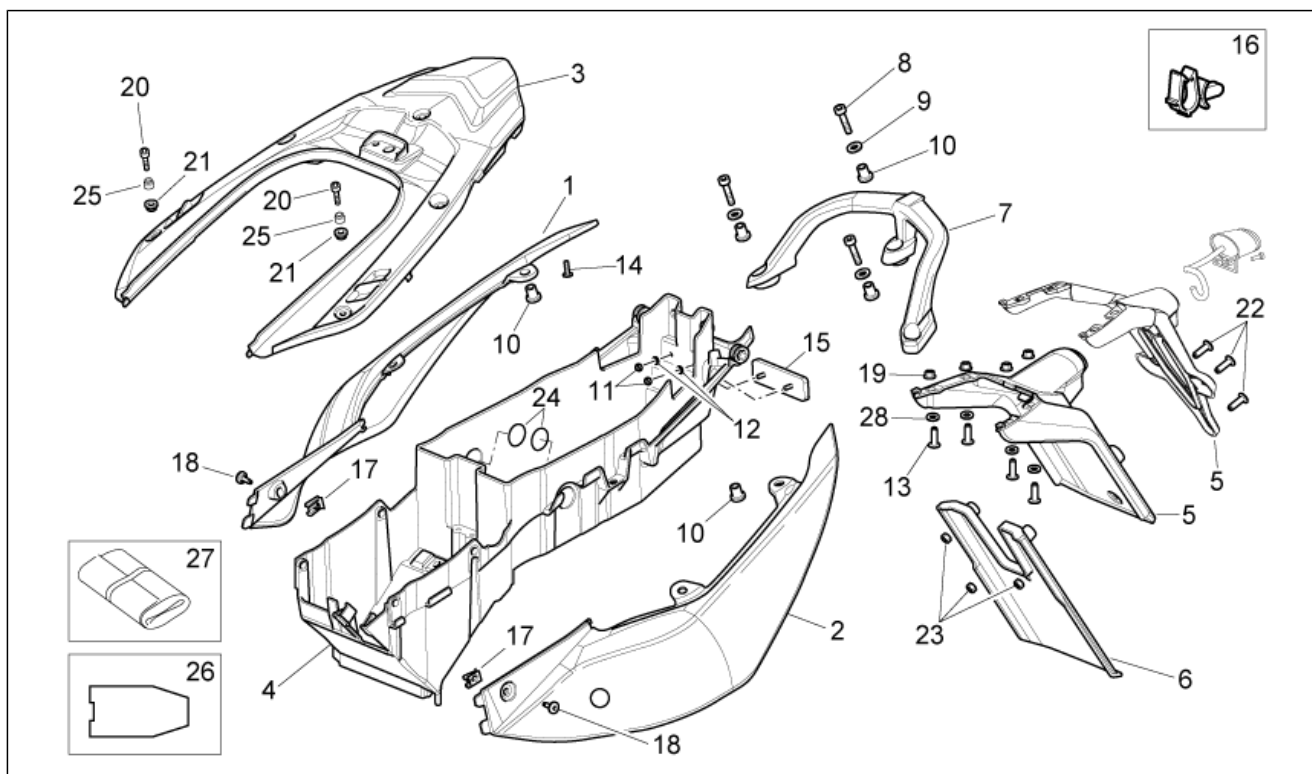
<b>Gruppo</b>	TELAIO
<b>Codice</b>	28.18
<b>Descrizione</b>	Carrozzeria centrale
<b>Revisione</b>	1



Pos.	Codice	Descrizione	Q.ta	Varianti
1	AP8178796	Fiancatina ant.sx nero	1	
2	AP8178795	Fiancatina ant.dx nero	1	
3	AP8178799	Protezione radiatore dx	1	
4	AP8178800	Protezione radiatore sx	1	
5	AP8178797	Paracoppa grigio	1	Anno:2008[8] Specifiche Tecniche:Versione Enduro Trail[RX]
5	AP8178797	Paracoppa grigio	1	Anno:2005[5] Specifiche Tecniche:Versione Strada[SX]
5	AP8178797	Paracoppa grigio	1	Anno:2005[5], 2007[7] Specifiche Tecniche:Versione Enduro Trail[RX]
5	AP8184374	Paracoppa nero	1	Anno:2007[7], 2009[9] Specifiche Tecniche:Polizia Municipale[PM], Versione Strada[SX]
5	AP8184374	Paracoppa nero	1	Anno:2007[7], 2009[9] Specifiche Tecniche:Versione Factory[Fac]
6	AP8152246	Vite TBEI flangiata	4	
7	AP8102376	Clip M6	4	
8	AP8150500	Vite TBEI M5x9	4	
9	AP8178784	Carte copripignone	1	
10	AP8121795	Bussola a 'T' *	2	
11	AP8150053	Vite TCEI M6x25	2	
12	AP8102375	Clip m5	2	
13	AP8144087	Gommino	2	
14	AP8152302	Vite TBEI flangiata M5x12	4	
15	AP8107156	Guidacatena	1	
16	AP8144081	Gommino	2	

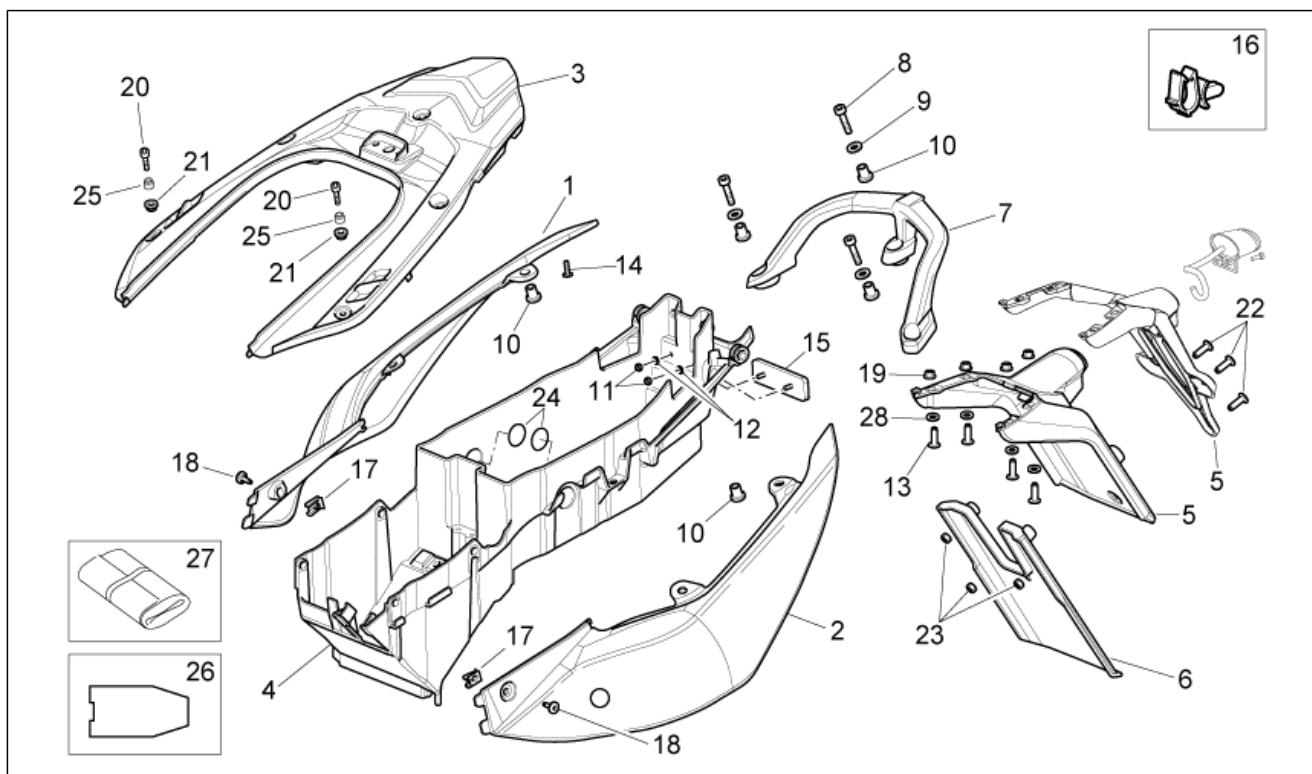


<b>Gruppo</b>	TELAIO
<b>Codice</b>	28.19
<b>Descrizione</b>	Carrozzeria posteriore
<b>Revisione</b>	1



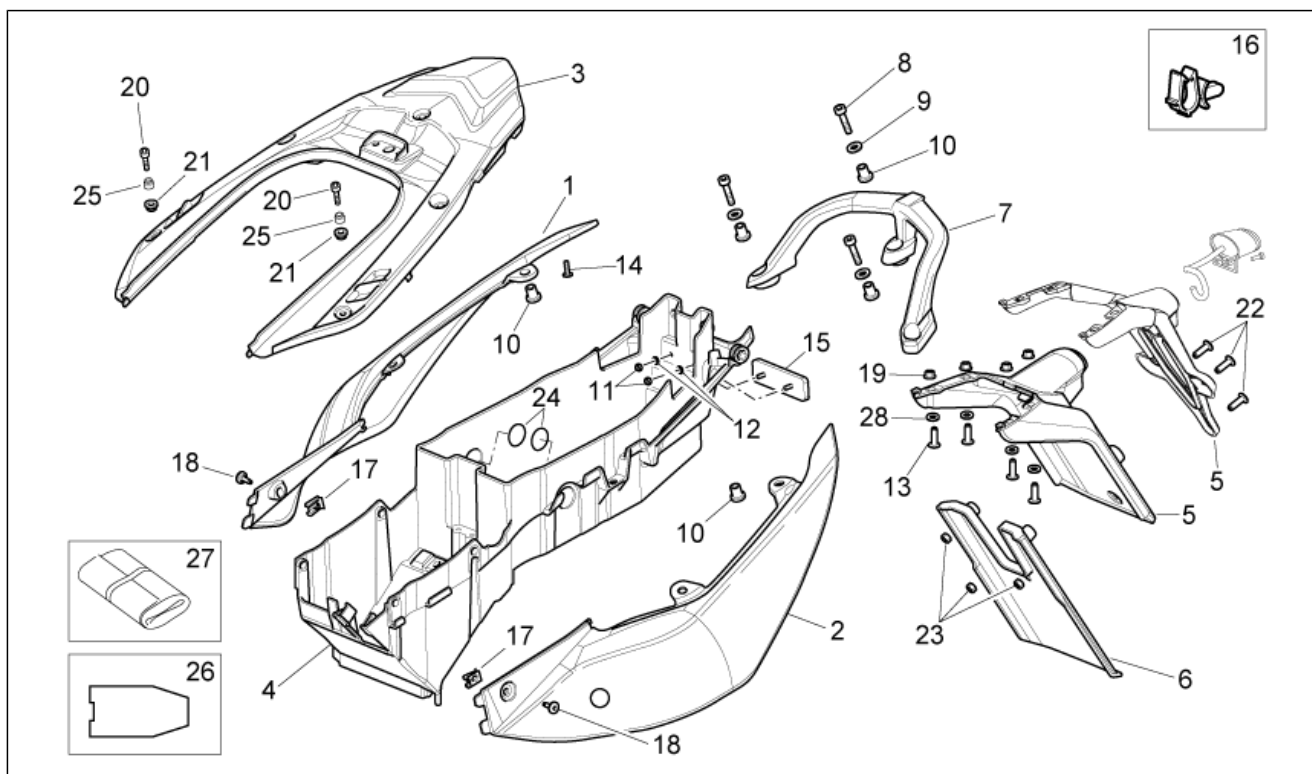
Pos.	Codice	Descrizione	Q.ta	Varianti
1	AP8179310	Fiancatina post.dx v.grigio	1	<b>Colore veicolo:</b> Grigio Titan 2006 (s.t. 15063)[grey] <b>Specifiche Tecniche:</b> Particolare non decalcatto[ND], Versione Enduro Trail[RX]
1	AP8184055	Fiancatina post.dx v.bianco	1	<b>Colore veicolo:</b> Bianco Polizia Municipale 2007 (s.t.856088) [white] <b>Specifiche Tecniche:</b> Particolare non decalcatto[ND], Polizia Municipale[PM]
1	AP8184202	Fiancatina post.dx v.rosso	1	<b>Colore veicolo:</b> Rosso Shine 2007 (s.t.852821)[shine] <b>Specifiche Tecniche:</b> Particolare non decalcatto[ND], Versione Enduro Trail[RX]
1	AP8184417	Fiancatina post.dx v.rosso	1	<b>Colore veicolo:</b> Nero Aprilia 2009 (s.t. 893079)[bl09], Nero Aprilia 2007 (s.t.853296)[nero] <b>Specifiche Tecniche:</b> Versione Factory[Fac], Particolare non decalcatto[ND]
1	AP8184432	Fiancatina post.dx v.grigio	1	<b>Colore veicolo:</b> Grigio Platinum 2007 (s.t. 853409)[plat] <b>Specifiche Tecniche:</b> Particolare non decalcatto[ND], Versione Strada[SX]
1	AP8184441	Fiancatina post.dx v.giallo	1	<b>Colore veicolo:</b> Giallo Brio 2007 (s.t.854557)[ye!] <b>Specifiche Tecniche:</b> Particolare non decalcatto[ND], Versione Strada[SX]
1	AP8184573	Fiancatina post.dx v.silver	1	<b>Colore veicolo:</b> Rosso Fluo 2008 (s.t.858324)[fluo] <b>Specifiche Tecniche:</b> Particolare non decalcatto[ND], Versione Enduro Trail[RX]
1	AP8184827	Fiancatina post.dx v.grigio	1	<b>Colore veicolo:</b> Bianco Aprilia 2009 (s.t. 893528)[bia], Nero Grafite 2009 (s.t. 890832)[gra] <b>Specifiche Tecniche:</b> Particolare non decalcatto[ND], Versione Strada[SX]
1	AP8268446	Fiancatina post.dx v.nero	1	<b>Colore veicolo:</b> Nero Aprilia 2005 (s.t. 14833)[black] <b>Specifiche Tecniche:</b> Particolare non decalcatto[ND], Versione Strada[SX]
1	AP8268446	Fiancatina post.dx v.nero	1	<b>Colore veicolo:</b> Nero Aprilia 2008 (s.t. 858323)[a.bl] <b>Specifiche Tecniche:</b> Particolare non decalcatto[ND], Versione Enduro Trail[RX]
1	AP8268449	Fiancatina post.dx v.rosso	1	<b>Colore veicolo:</b> Sunset Red 2005 (s.t. 14832)[red]

<b>Gruppo</b>	TELAIO
<b>Codice</b>	28.19
<b>Descrizione</b>	Carrozzeria posteriore
<b>Revisione</b>	1



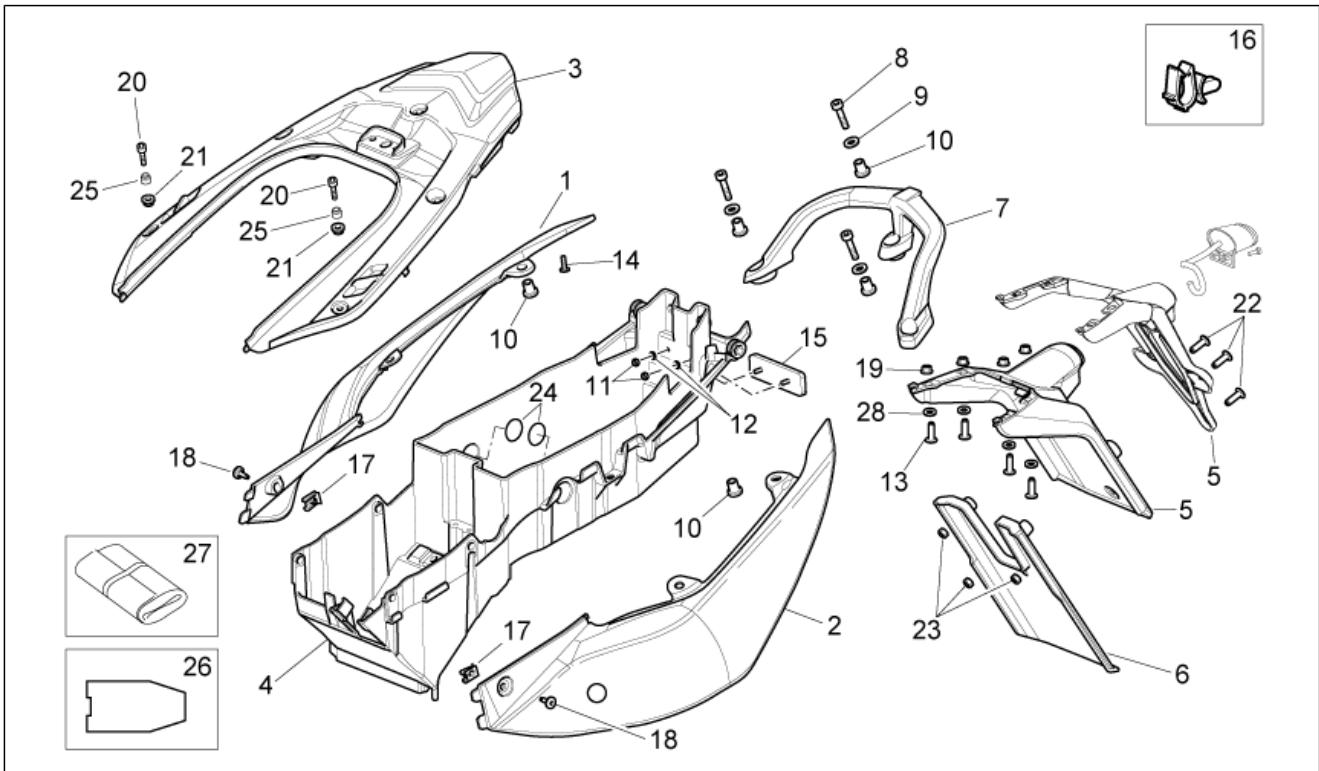
Pos.	Codice	Descrizione	Q.ta	Varianti
				<b>Specifiche Tecniche:</b> Particolare non decalcato[ND], Versione Strada[SX]
2	AP8179311	Fiancatina post.sx v.grigio	1	<b>Colore veicolo:</b> Grigio Titan 2006 (s.t. 15063)[grey] <b>Specifiche Tecniche:</b> Particolare non decalcato[ND], Versione Enduro Trail[RX]
2	AP8184056	Fiancatina post.sx v.bianco	1	<b>Colore veicolo:</b> Bianco Polizia Municipale 2007 (s.t.856088) [white] <b>Specifiche Tecniche:</b> Particolare non decalcato[ND], Polizia Municipale[PM]
2	AP8184203	Fiancatina post.sx v.rosso	1	<b>Colore veicolo:</b> Rosso Shine 2007 (s.t.852821)[shine] <b>Specifiche Tecniche:</b> Particolare non decalcato[ND], Versione Enduro Trail[RX]
2	AP8184418	Fiancatina post.sx v.rosso	1	<b>Colore veicolo:</b> Nero Aprilia 2009 (s.t. 893079)[bl09], Nero Aprilia 2007 (s.t.853296)[nero] <b>Specifiche Tecniche:</b> Versione Factory[Fac], Particolare non decalcato[ND]
2	AP8184433	Fiancatina post.sx v.grigio	1	<b>Colore veicolo:</b> Grigio Platinum 2007 (s.t. 853409)[plat] <b>Specifiche Tecniche:</b> Particolare non decalcato[ND], Versione Strada[SX]
2	AP8184442	Fiancatina post.sx v.giallo	1	<b>Colore veicolo:</b> Giallo Brio 2007 (s.t.854557)[ye!] <b>Specifiche Tecniche:</b> Particolare non decalcato[ND], Versione Strada[SX]
2	AP8184574	Fiancatina post.sx v.silver	1	<b>Colore veicolo:</b> Rosso Fluo 2008 (s.t.858324)[fluo] <b>Specifiche Tecniche:</b> Particolare non decalcato[ND], Versione Enduro Trail[RX]
2	AP8184828	Fiancatina post.sx v.grigio	1	<b>Colore veicolo:</b> Bianco Aprilia 2009 (s.t. 893528)[bia], Nero Grafite 2009 (s.t. 890832)[gra] <b>Specifiche Tecniche:</b> Particolare non decalcato[ND], Versione Strada[SX]
2	AP8268447	Fiancatina post.sx v.nero	1	<b>Colore veicolo:</b> Nero Aprilia 2008 (s.t. 858323)[a.bl] <b>Specifiche Tecniche:</b> Particolare non decalcato[ND], Versione Enduro Trail[RX]
2	AP8268447	Fiancatina post.sx v.nero	1	<b>Colore veicolo:</b> Nero Aprilia 2005 (s.t. 14833)[black]

<b>Gruppo</b>	TELAIO
<b>Codice</b>	28.19
<b>Descrizione</b>	Carrozzeria posteriore
<b>Revisione</b>	1



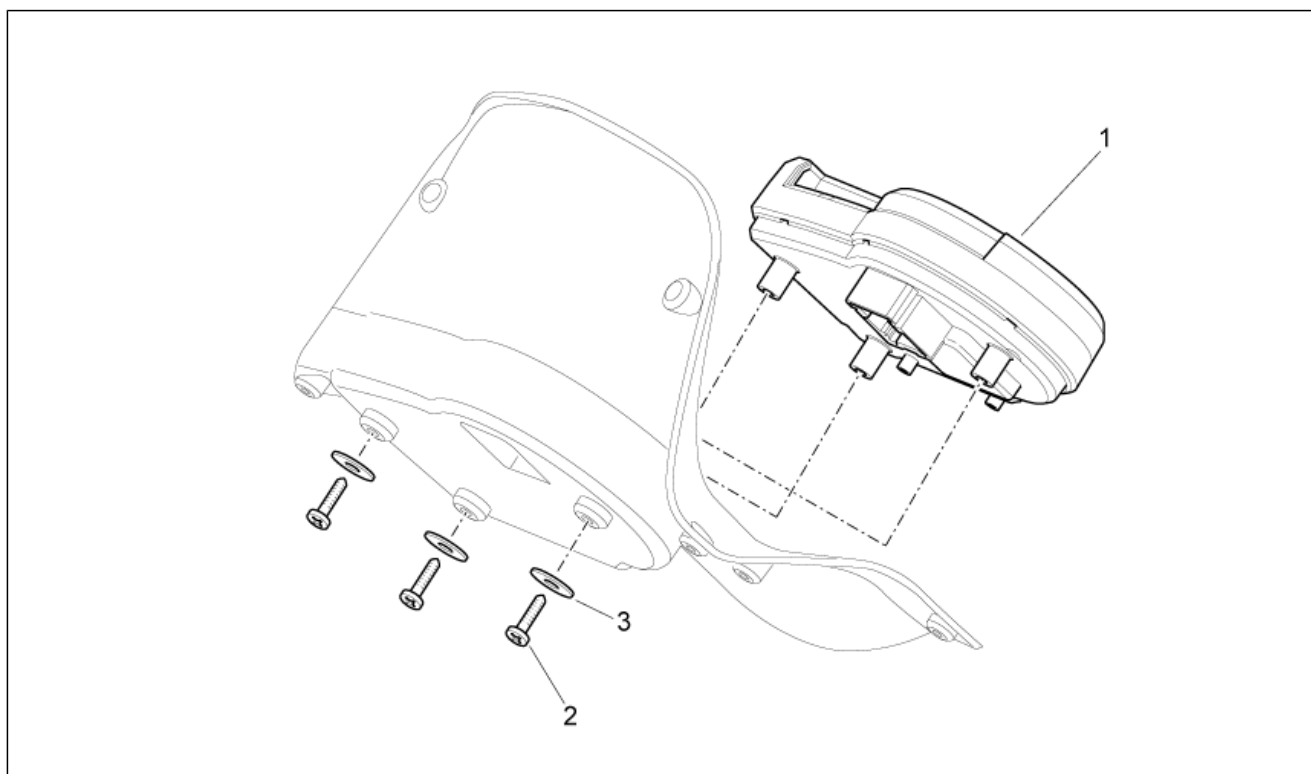
Pos.	Codice	Descrizione	Q.ta	Varianti
2	AP8268450	Fiancatina post.sx v.rosso	1	<b>Specifiche Tecniche:</b> Particolare non decalcato[ND], Versione Strada[SX]
3	AP8178804	Codone grigio	1	
4	AP8178805	Vano sottosella	1	
5	852475	Portatarga	1	<b>Specifiche Tecniche:</b> Versione Factory[Fac]
5	AP8156167	Portatarga	1	<b>Specifiche Tecniche:</b> Versione Enduro Trail[RX], Versione Strada[SX]
5	AP8156167	Portatarga	1	<b>Specifiche Tecniche:</b> Polizia Municipale[PM]
6	AP8156168	Paraspruzzi	1	
7	AP8178801	Maniglione	1	
8	AP8150540	Vite tcc	3	
9	AP8150017	Rosetta 8,4x16x1,6	3	
10	AP8125882	Bussola a 'T'	3	
10	AP8125882	Bussola a 'T'	2	
11	AP8150204	Dado M4	2	
12	AP8150158	Rosetta 4,3x9x0,8*	2	
13	AP8152137	Vite TBEI M6x20	4	
14	AP8150420	Vite autof.per plast.inox *	2	
15	AP8112916	Catadiottro fanale post.	1	
16	AP8221310	Guidacavo	1	
17	AP8102375	Clip m5	2	
18	AP8152298	Vite TBEI flangiata M5x16	2	
19	AP8150026	Dado M6	4	
20	AP8150521	Vite TCEI	2	
21	AP8221349	Bussola a 'T'	2	
22	AP8152246	Vite TBEI flangiata	3	

<b>Gruppo</b>	TELAIO
<b>Codice</b>	28.19
<b>Descrizione</b>	Carrozzeria posteriore
<b>Revisione</b>	1



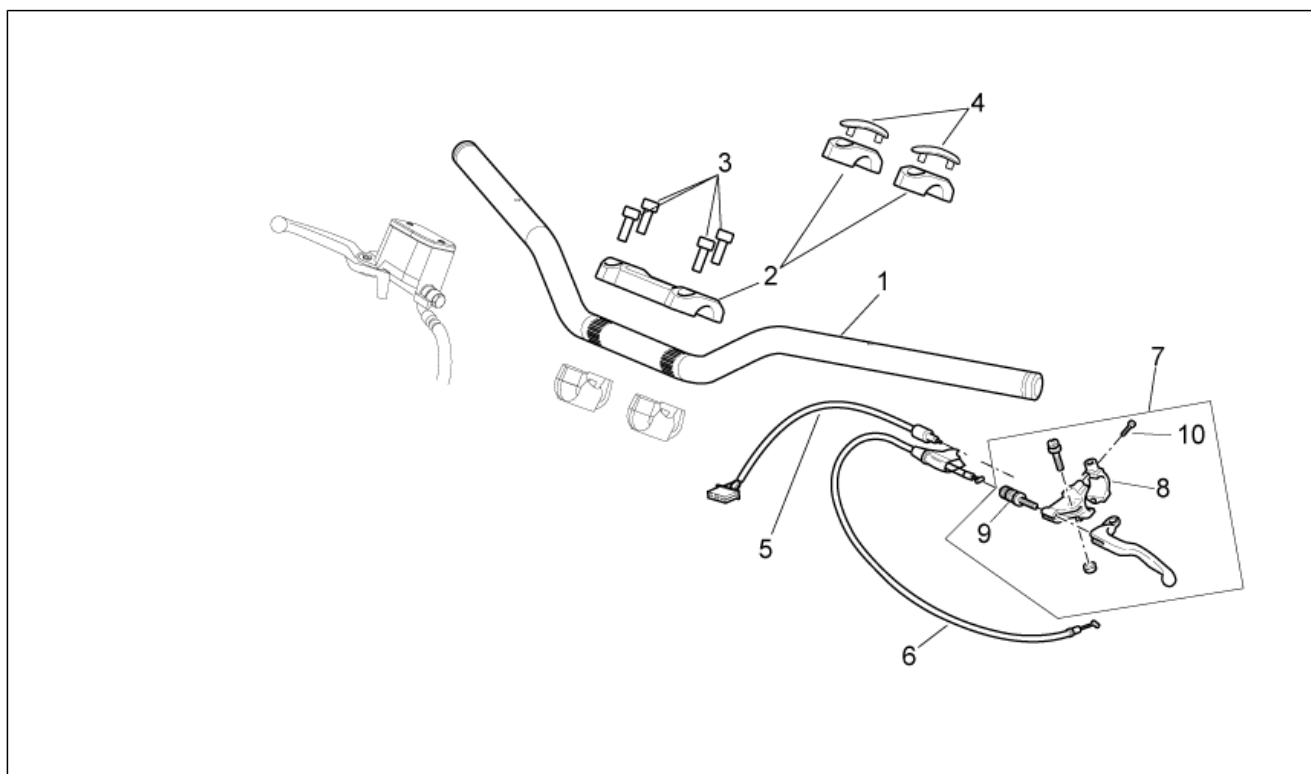
Pos.	Codice	Descrizione	Q.ta	Varianti
23	AP8150430	Dado autobloc.basso	3	
24	AP8144710	Tappo D26	2	
25	AP8152478	Bussola	2	
26	AP8179204	Tappeto sottosella	1	
27	AP8104843	Trousse attrezzi	1	
28	AP8150178	Rosetta 6,4x12,5*	4	

<b>Gruppo</b>	TELAIO
<b>Codice</b>	28.20
<b>Descrizione</b>	Cruscotto
<b>Revisione</b>	1



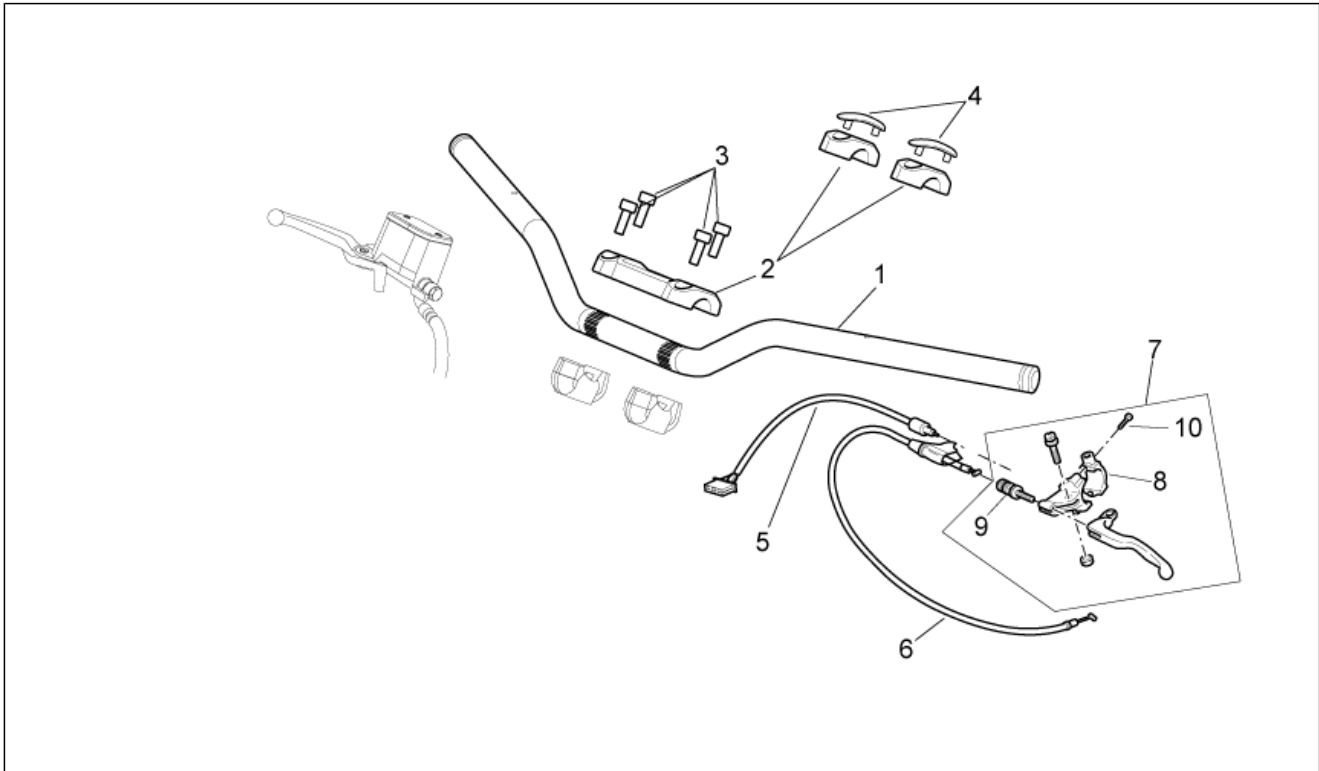
Pos.	Codice	Descrizione	Q.ta	Varianti
1	AP8127663	Cruscotto	1	<b>Specifiche Tecniche:</b> Versione Factory[Fac], Polizia Municipale[PM], Versione Strada[SX]
1	AP8127805	Cruscotto	1	<b>Specifiche Tecniche:</b> Versione Enduro Trail[RX]
2	AP8150509	Vite autof. 5x14	3	
3	AP8150382	Rosetta 15x5,5X1,2	3	

<b>Gruppo</b>	TELAIO
<b>Codice</b>	28.21
<b>Descrizione</b>	Comandi I
<b>Revisione</b>	1



Pos.	Codice	Descrizione	Q.ta	Varianti
1	852472	Manubrio oro	1	Anno:2007[7] Specifiche Tecniche:Versione Factory[Fac]
1	AP8118697	Manubrio v.grigio	1	Anno:2005[5], 2007[7], 2008[8] Specifiche Tecniche:Polizia Municipale[PM], Versione Enduro Trail[RX], Versione Strada[SX]
2	852449	Cavallotto manubrio anodizzato	1	Anno:2007[7], 2009[9] Specifiche Tecniche:Versione Factory[Fac]
2	AP8123604	Cavallotto	2	Anno:2005[5], 2007[7] Specifiche Tecniche:Versione Enduro Trail[RX]
2	AP8163513	Cavallotto manubrio v.grigio	1	Anno:2005[5], 2007[7], 2009[9] Specifiche Tecniche:Versione Strada[SX]
2	AP8163513	Cavallotto manubrio v.grigio	1	Anno:2008[8] Specifiche Tecniche:Versione Enduro Trail[RX]
2	AP8163513	Cavallotto manubrio v.grigio	1	Anno:2007[7] Specifiche Tecniche:Polizia Municipale[PM]
3	AP8150170	Vite TCEI M8x25	4	Anno:2005[5], 2007[7] Specifiche Tecniche:Polizia Municipale[PM], Versione Strada[SX]
3	AP8152486	Vite tcc M8x25 INOX	4	Anno:2007[7] Specifiche Tecniche:Versione Factory[Fac]
3	AP8203570	Vite TCE M8x30	4	Anno:2005[5], 2007[7], 2008[8] Specifiche Tecniche:Versione Enduro Trail[RX]
4	AP8101513	Tappo copricavallotti manubrio	2	Anno:2005[5], 2007[7], 2008[8] Specifiche Tecniche:Versione Enduro Trail[RX]
5	AP8112996	Interruttore frizione	1	
6	852471	Cavo frizione	1	Specifiche Tecniche:Versione Factory[Fac]
6	AP8114481	Cavo frizione	1	Specifiche Tecniche:Versione Enduro Trail[RX], Versione Strada[SX]
6	AP8114481	Cavo frizione	1	Specifiche Tecniche:Polizia Municipale[PM]
7	852328	Leva frizione cpl.	1	
8	AP8118349	Cavallotto	1	
9	852330	Registro leva frizione	1	

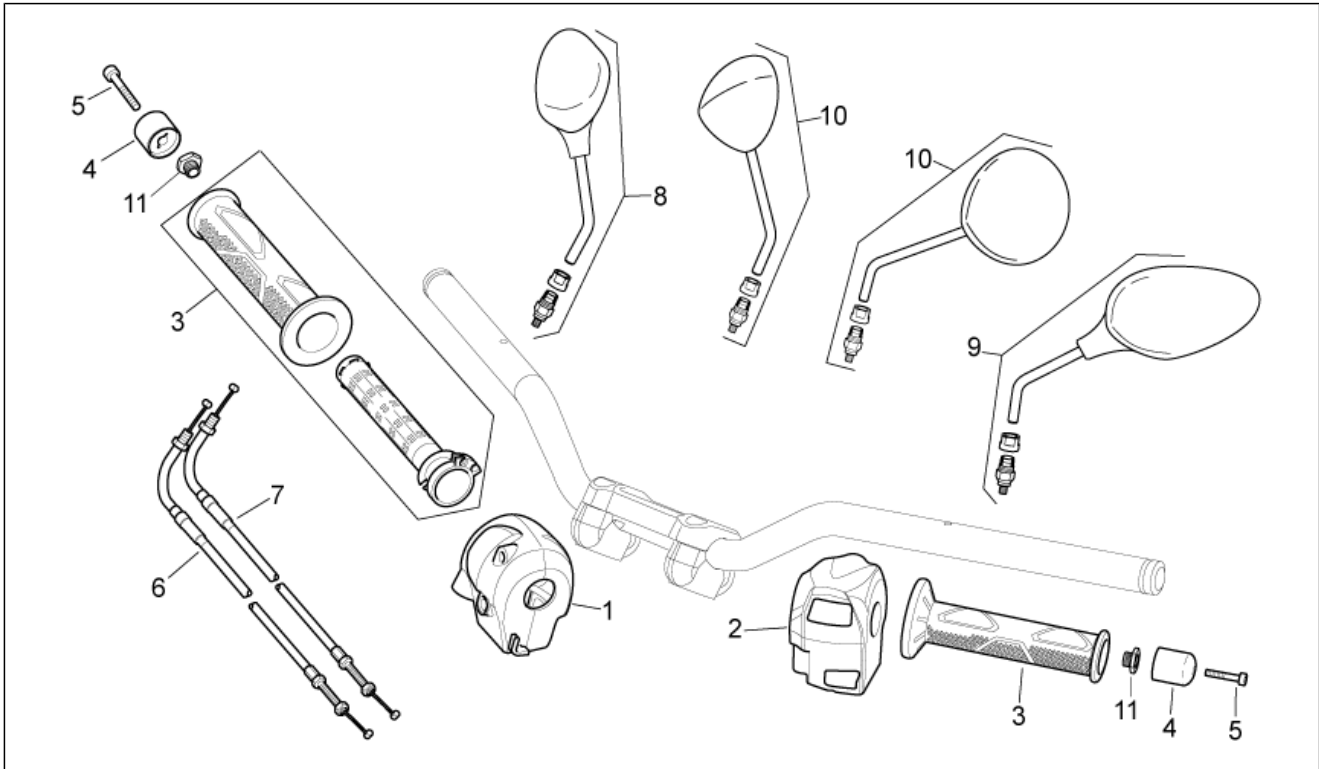
<b>Gruppo</b>	TELAIO
<b>Codice</b>	28.21
<b>Descrizione</b>	Comandi I
<b>Revisione</b>	1



Pos.	Codice	Descrizione	Q.ta	Varianti
10	GU97202325	Vite TE flang.nera M6x25	2	

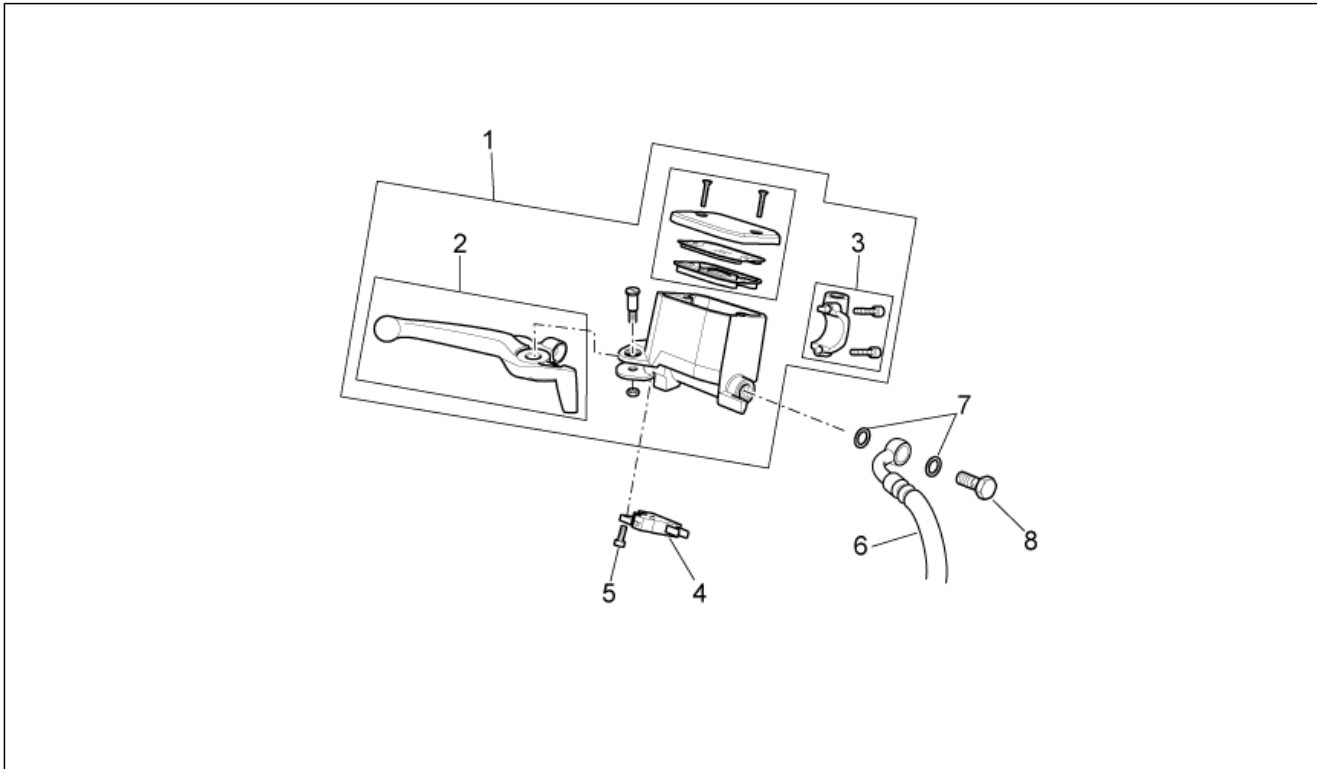


<b>Gruppo</b>	TELAIO
<b>Codice</b>	28.22
<b>Descrizione</b>	Comandi II
<b>Revisione</b>	1



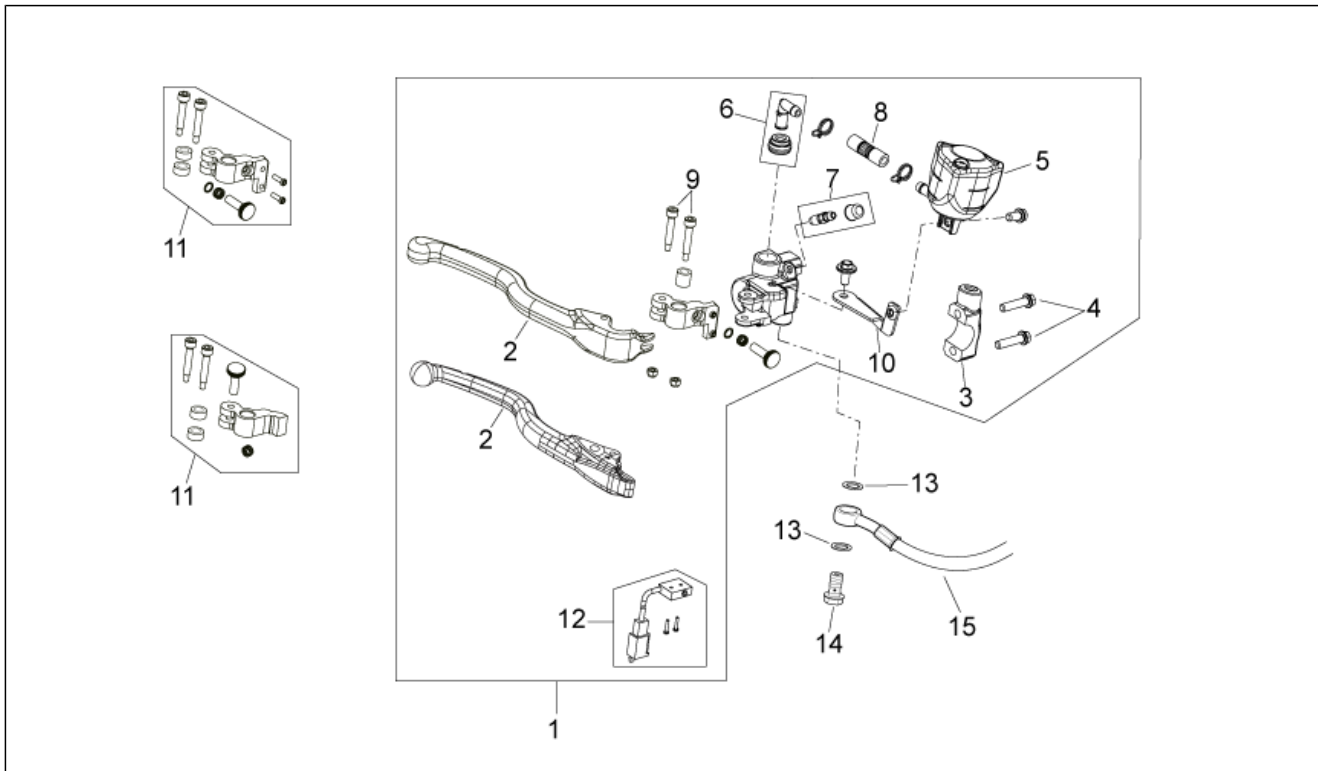
Pos.	Codice	Descrizione	Q.ta	Varianti
1	AP8127648	Devioluci dx	1	
2	859810	Devioluci sx	1	
3	AP8118619	Manopole nere-coppia	1	
4	AP8104509	Peso antivibrante v.nero	2	<b>Specifiche Tecniche:</b> Polizia Municipale[PM]
4	AP8104509	Peso antivibrante v.nero	2	<b>Specifiche Tecniche:</b> Versione Enduro Trail[RX], Versione Strada[SX]
4	AP8181141	Peso antivibrante v.grigio	2	<b>Specifiche Tecniche:</b> Versione Factory[Fac]
5	AP8152003	Vite TCEI M6x40	2	
6	AP8114480	Cavo apertura gas	1	
7	AP8114484	Cavo chiusura gas	1	
8	AP8104921	Specchio retrovisore DX	1	
9	AP8104922	Specchio retrovisore SX	1	
10	AP8104566	Specchio retrovisore	2	
11	AP8121520	Terminale peso antivibrante	1	

<b>Gruppo</b>	TELAIO
<b>Codice</b>	28.23
<b>Descrizione</b>	Pompa freno anteriore I
<b>Revisione</b>	1



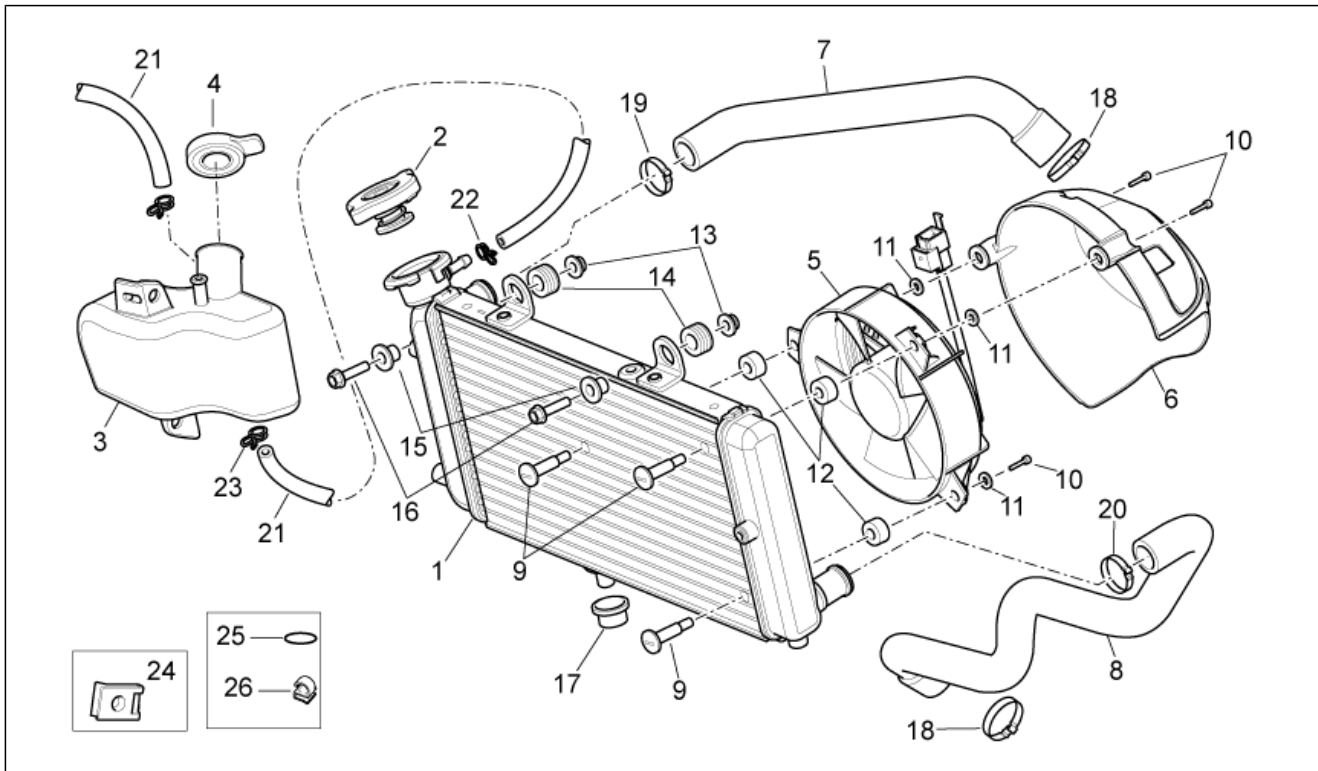
Pos.	Codice	Descrizione	Q.ta	Varianti
1	AP8133782	Pompa freno ant.	1	<b>Specifiche Tecniche:</b> Polizia Municipale[PM], Versione Strada[SX]
1	AP8133883	Pompa freno ant.	1	<b>Specifiche Tecniche:</b> Versione Enduro Trail[RX]
2	AP8218479	Leva freno ant.	1	<b>Specifiche Tecniche:</b> Polizia Municipale[PM], Versione Enduro Trail[RX], Versione Strada[SX]
3	AP8133822	Cavallotto	1	<b>Specifiche Tecniche:</b> Polizia Municipale[PM], Versione Enduro Trail[RX], Versione Strada[SX]
4	AP8224192	Interruttore stop con gommino	1	<b>Specifiche Tecniche:</b> Polizia Municipale[PM], Versione Enduro Trail[RX], Versione Strada[SX]
5	AP8152043	Vite TCEI M4x10	1	<b>Specifiche Tecniche:</b> Polizia Municipale[PM], Versione Enduro Trail[RX], Versione Strada[SX]
6	AP8133629	Tubo freno ant.	1	<b>Specifiche Tecniche:</b> Versione Enduro Trail[RX]
6	AP8133783	Tubo freno ant.	1	<b>Specifiche Tecniche:</b> Polizia Municipale[PM], Versione Strada[SX]
7	AP8113004	Rosetta 10x14x1,6*	4	<b>Specifiche Tecniche:</b> Polizia Municipale[PM], Versione Enduro Trail[RX], Versione Strada[SX]
8	AP8113003	Vite tubo olio *	2	<b>Specifiche Tecniche:</b> Polizia Municipale[PM], Versione Enduro Trail[RX], Versione Strada[SX]

<b>Gruppo</b>	TELAIO
<b>Codice</b>	28.24
<b>Descrizione</b>	Pompa freno anteriore II
<b>Revisione</b>	1



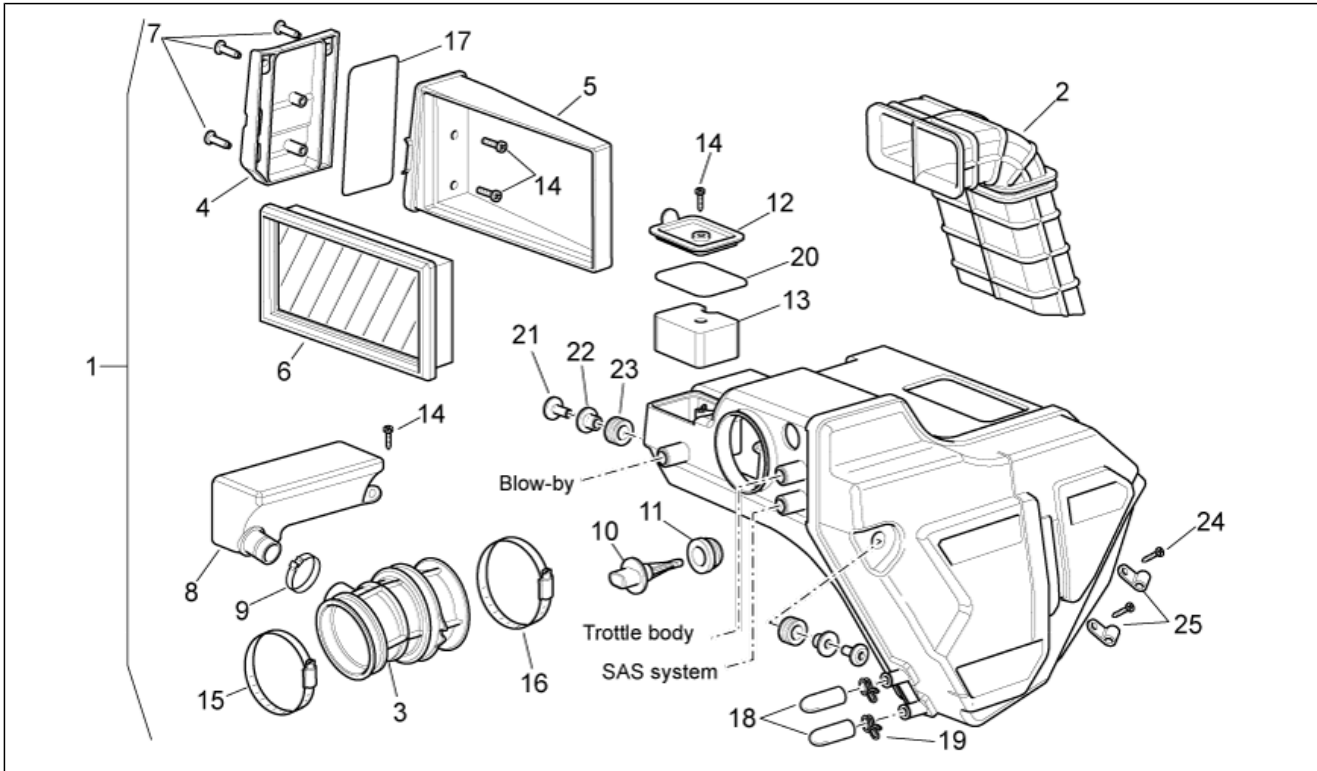
Pos.	Codice	Descrizione	Q.ta	Varianti
1	851348	Pompa freno ant. FTE	1	<b>Specifiche Tecniche:</b> Versione Factory[Fac], Leva con regolazione superiore[T2]
1	AP9100711	Pompa freno ant. FTE	1	<b>Specifiche Tecniche:</b> Versione Factory[Fac], Leva con regolazione anteriore[T1]
2	851366	Leva	1	<b>Specifiche Tecniche:</b> Versione Factory[Fac], Leva con regolazione superiore[T2]
2	AP9100922	Leva	1	<b>Specifiche Tecniche:</b> Versione Factory[Fac], Leva con regolazione anteriore[T1]
3	AP9100910	Cavallo	1	<b>Specifiche Tecniche:</b> Versione Factory[Fac]
4	AP8152280	Vite te flang. M6x25	2	<b>Specifiche Tecniche:</b> Versione Factory[Fac]
5	AP9100917	Serbatoio olio cpl.	1	<b>Specifiche Tecniche:</b> Versione Factory[Fac]
6	AP9100914	Raccordo	1	<b>Specifiche Tecniche:</b> Versione Factory[Fac]
7	AP9100911	Kit spurgo	1	<b>Specifiche Tecniche:</b> Versione Factory[Fac]
8	AP9100915	Tubo olio freno	1	<b>Specifiche Tecniche:</b> Versione Factory[Fac]
9	AP9100921	Vite	1	<b>Specifiche Tecniche:</b> Versione Factory[Fac]
10	851368	Piastrina	1	<b>Specifiche Tecniche:</b> Versione Factory[Fac], Leva con regolazione superiore[T2]
10	AP9100913	Piastrina	1	<b>Specifiche Tecniche:</b> Versione Factory[Fac], Leva con regolazione anteriore[T1]
11	851367	Kit revisione leva	1	<b>Specifiche Tecniche:</b> Versione Factory[Fac], Leva con regolazione superiore[T2]
11	AP9100920	Kit revisione leva	1	<b>Specifiche Tecniche:</b> Versione Factory[Fac], Leva con regolazione anteriore[T1]
12	AP9100918	Interruttore stop	1	<b>Specifiche Tecniche:</b> Versione Factory[Fac]
13	AP8121915	Guarnizione	4	<b>Specifiche Tecniche:</b> Versione Factory[Fac]
14	AP9100763	Vite tubo olio	1	<b>Specifiche Tecniche:</b> Versione Factory[Fac]
15	853299	Tubo freno ant.	1	<b>Specifiche Tecniche:</b> Versione Factory[Fac]

<b>Gruppo</b>	TELAIO
<b>Codice</b>	28.25
<b>Descrizione</b>	Impianto di raffreddamento
<b>Revisione</b>	1



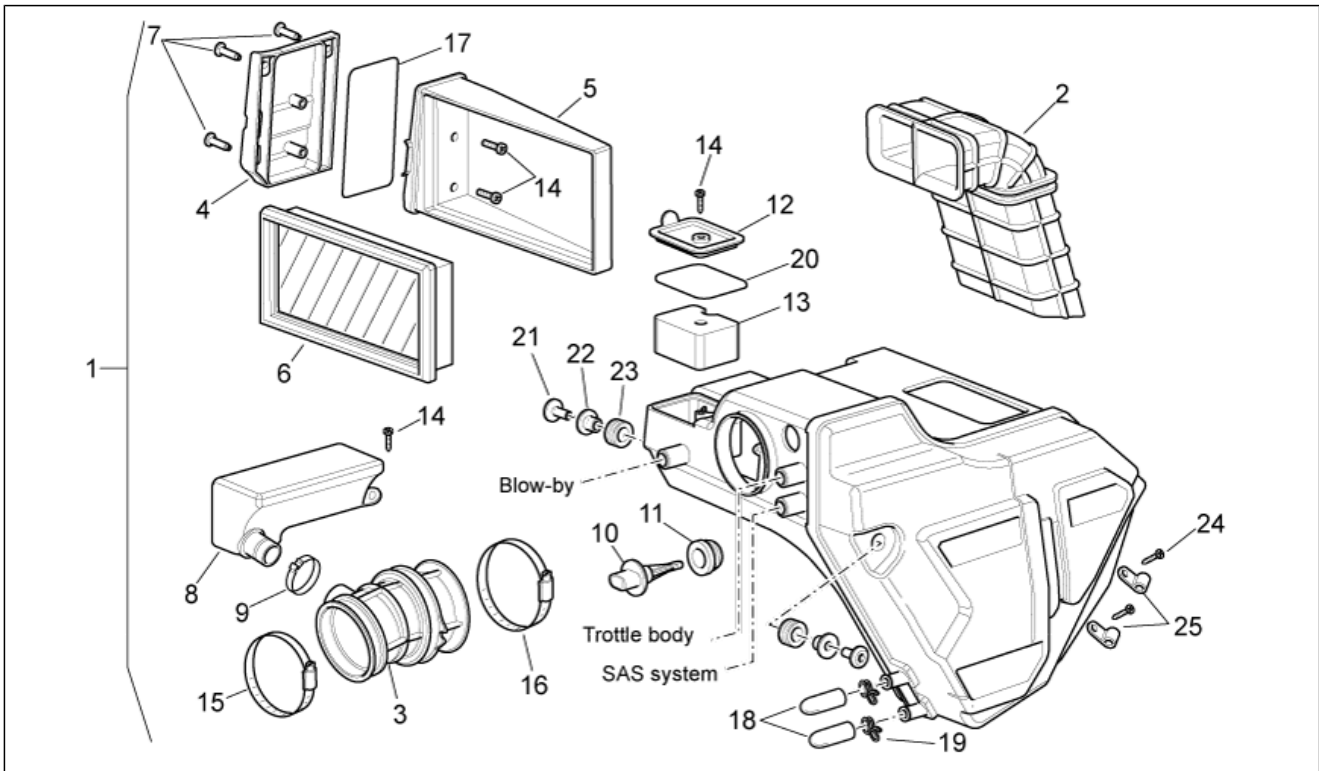
Pos.	Codice	Descrizione	Q.ta	Varianti
1	AP8104837	Radiatore con tappo	1	
2	AP8102771	Tappo radiatore	1	
3	AP8178786	Vaso d'espansione	1	
4	AP8104836	Tappo vaso d'espansione	1	
5	AP8124930	Ventola cpl.	1	
6	AP8179019	Convogliatore ventola	1	
7	AP8144679	Tubo testa-radiatore	1	
8	AP8144680	Tubo radiatore-pompa	1	
9	AP8104882	Piolo fissaggio	3	
10	AP8150120	Vite TCB 4,2x22*	3	
11	AP8150012	Rosetta 5,3x10x1*	3	
12	AP8161083	Distanziale	3	
13	AP8150430	Dado autobloc.basso	2	
14	AP8120030	Gommino	2	
15	AP8221007	Distanziale 6,5X10X11*	2	
16	AP8152280	Vite te flang. M6x25	1	
17	AP8101372	Silent-block	1	
18	AP8120536	Fascetta clic D28x8,6*	2	
19	AP8101722	Fascetta clic D25x8,6	1	
20	AP8101588	Fascetta clic D.24,5x8,6	1	
21	AP8220325	Tubo benz. 5,5x10	2	
22	AP8102738	Fascetta stringitubo	1	
23	AP8120446	Fascetta clic verde D11x6,6x1	1	
24	AP8102375	Clip m5	2	
25	AP8144063	Anello OR 159	1	
26	AP8201727	Guidacavo nero	1	

<b>Gruppo</b>	TELAIO
<b>Codice</b>	28.26
<b>Descrizione</b>	Cassa filtro
<b>Revisione</b>	1



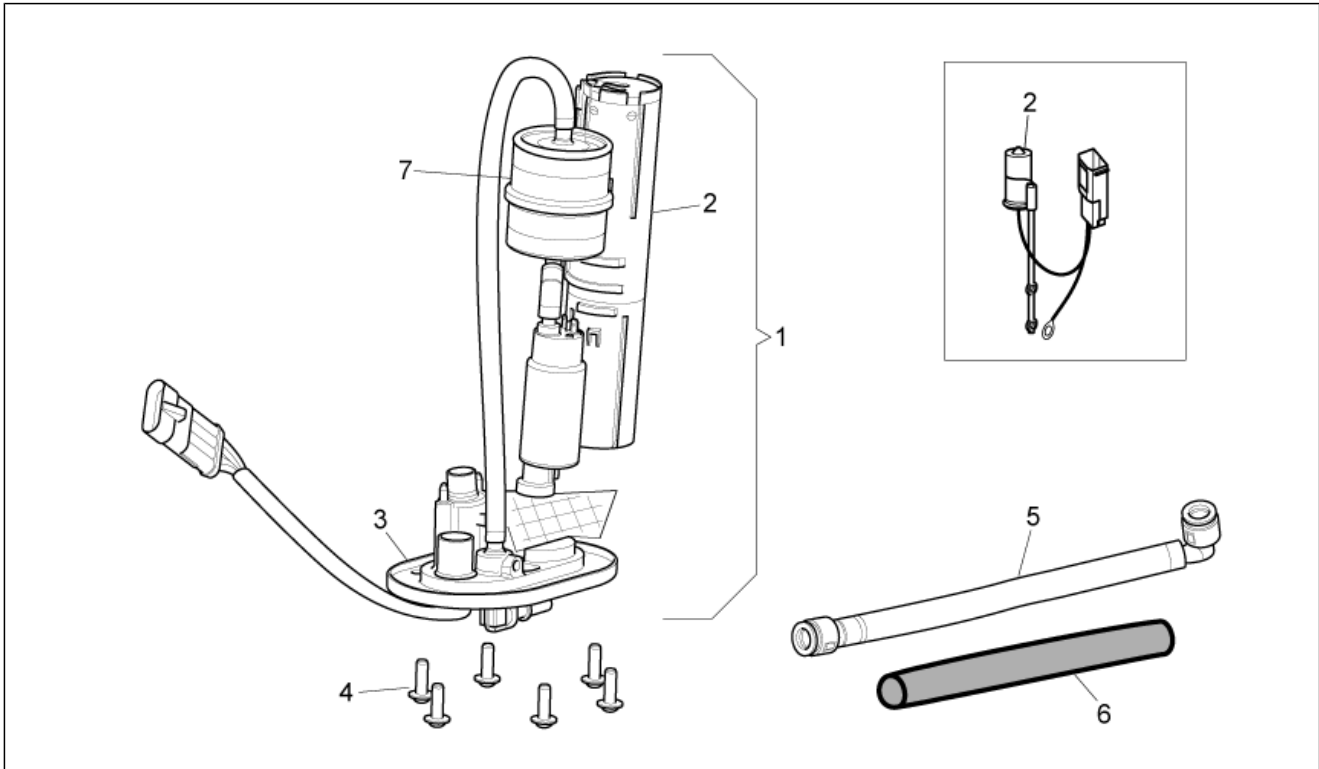
Pos.	Codice	Descrizione	Q.ta	Varianti
1	AP8178814	Cassa filtro cpl.	1	Anno:2005[5], 2007[7] Specifiche Tecniche:Versione Enduro Trail[RX]
1	AP8178814	Cassa filtro cpl.	1	Anno:2005[5] Specifiche Tecniche:Versione Strada[SX]
1	AP8184425	Cassa filtro cpl.	1	Anno:2007[7], 2009[9] Specifiche Tecniche:Versione Factory[Fac]
1	AP8184425	Cassa filtro cpl.	1	Anno:2007[7], 2009[9] Specifiche Tecniche:Polizia Municipale[PM], Versione Strada[SX]
1	AP8184425	Cassa filtro cpl.	1	Anno:2008[8] Specifiche Tecniche:Versione Enduro Trail[RX]
2	AP8144690	Manicotto aspirazione	1	
3	AP8144689	Manicotto corpo farfallato	1	
4	AP8178818	Coperchio filtro	1	
5	AP8178817	Portafiltro	1	
6	AP8104847	Filtro aria	1	
7	AP8150509	Vite autof. 5x14	4	
8	AP8178820	Risuonatore	1	
9	AP8201169	Fascetta clic D22x8,6*	1	
10	AP8520153	Sensore temperatura aria	1	
11	AP8144734	Gommino sensore T aria	1	
12	AP8178819	Coperchio filtro Blow-by	1	
13	AP8104848	Filtro Blow-by	1	
14	AP8150420	Vite autof.per plast.inox *	2	
15	AP8104898	Fascetta	1	
16	AP8161053	Fascetta manicotto	1	
17	AP8120615	Guarnizione D3	1	
18	AP8161054	Cappuccio	2	
19	AP8102520	Fascetta stringitubo	2	

<b>Gruppo</b>	TELAIO
<b>Codice</b>	28.26
<b>Descrizione</b>	Cassa filtro
<b>Revisione</b>	1



Pos.	Codice	Descrizione	Q.ta	Varianti
20	AP8144746	Guarnizione Blow-by	1	
21	AP8152484	Vite 6 X 30	4	
22	AP8221023	Bussola a 'T' *	4	
23	AP8120030	Gommino	4	
24	AP8150413	Vite autof. 3,9x14	2	
25	AP8101890	Fascetta nera D8	2	

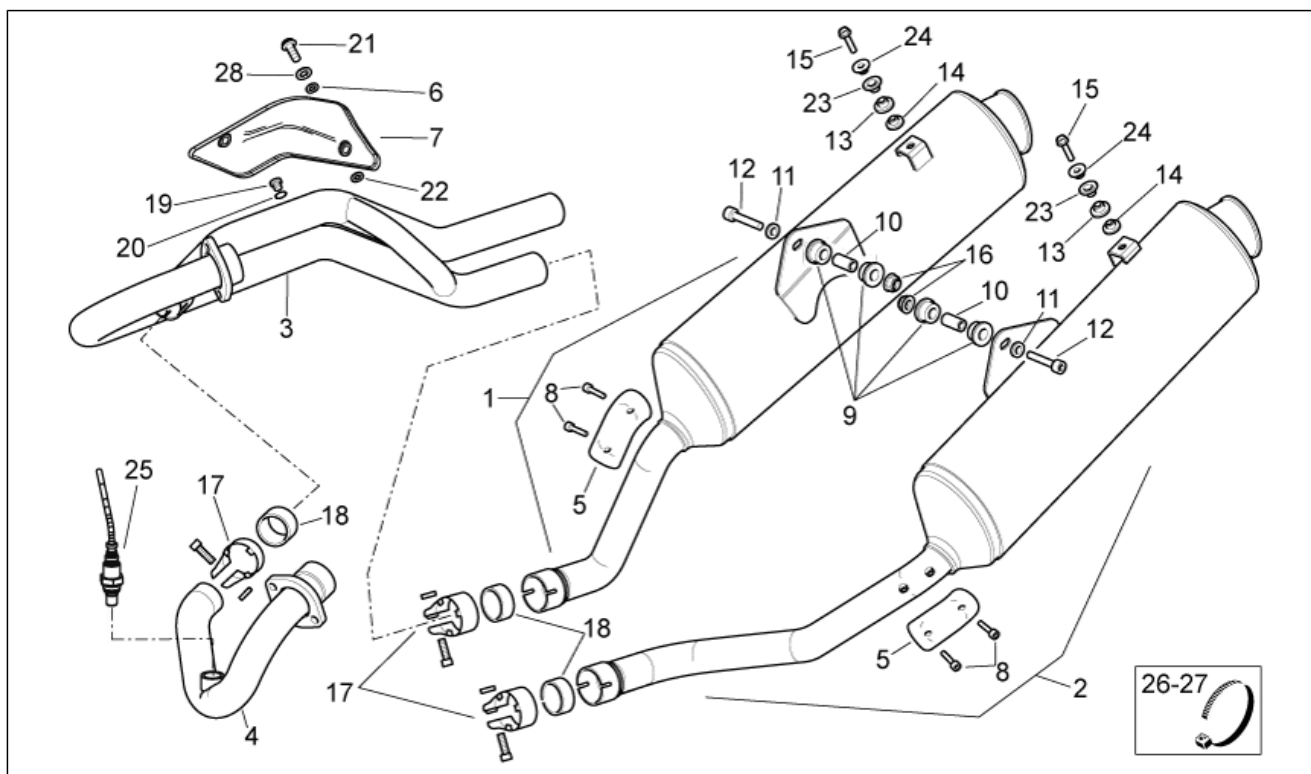
<b>Gruppo</b>	TELAIO
<b>Codice</b>	28.27
<b>Descrizione</b>	Pompa benz.cpl.
<b>Revisione</b>	1



Pos.	Codice	Descrizione	Q.ta	Varianti
1	AP8127816	Pompa benzina cpl.	1	<b>Specifiche Tecniche:</b> Versione Factory[Fac], Polizia Municipale[PM], Versione Strada[SX]
1	AP8176195	Pompa benzina cpl.	1	<b>Specifiche Tecniche:</b> Versione Enduro Trail[RX]
2	AP8127817	Sensore livello benz.	1	<b>Specifiche Tecniche:</b> Versione Factory[Fac], Polizia Municipale[PM], Versione Strada[SX]
2	AP8127840	Termistore	1	<b>Specifiche Tecniche:</b> Versione Enduro Trail[RX]
3	GU05107430	Guarnizione flangia	1	
4	AP8152273	Vite flangiata	6	
5	AP8144683	Tubo mandata benz.	1	
6	AP8220709	Protezione tubo	1	
7	AP8104965	Filtro benzina	1	

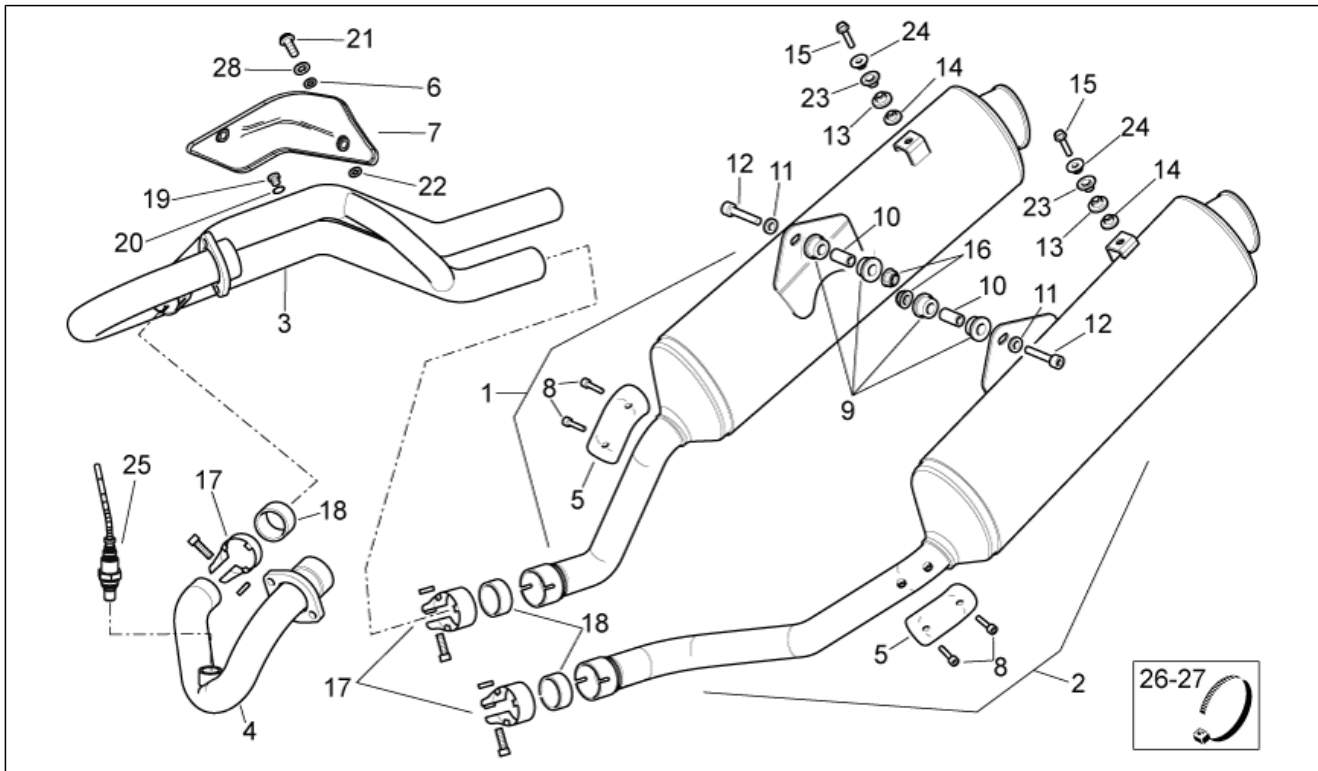


<b>Gruppo</b>	TELAIO
<b>Codice</b>	28.28
<b>Descrizione</b>	Gruppo scarico
<b>Revisione</b>	1



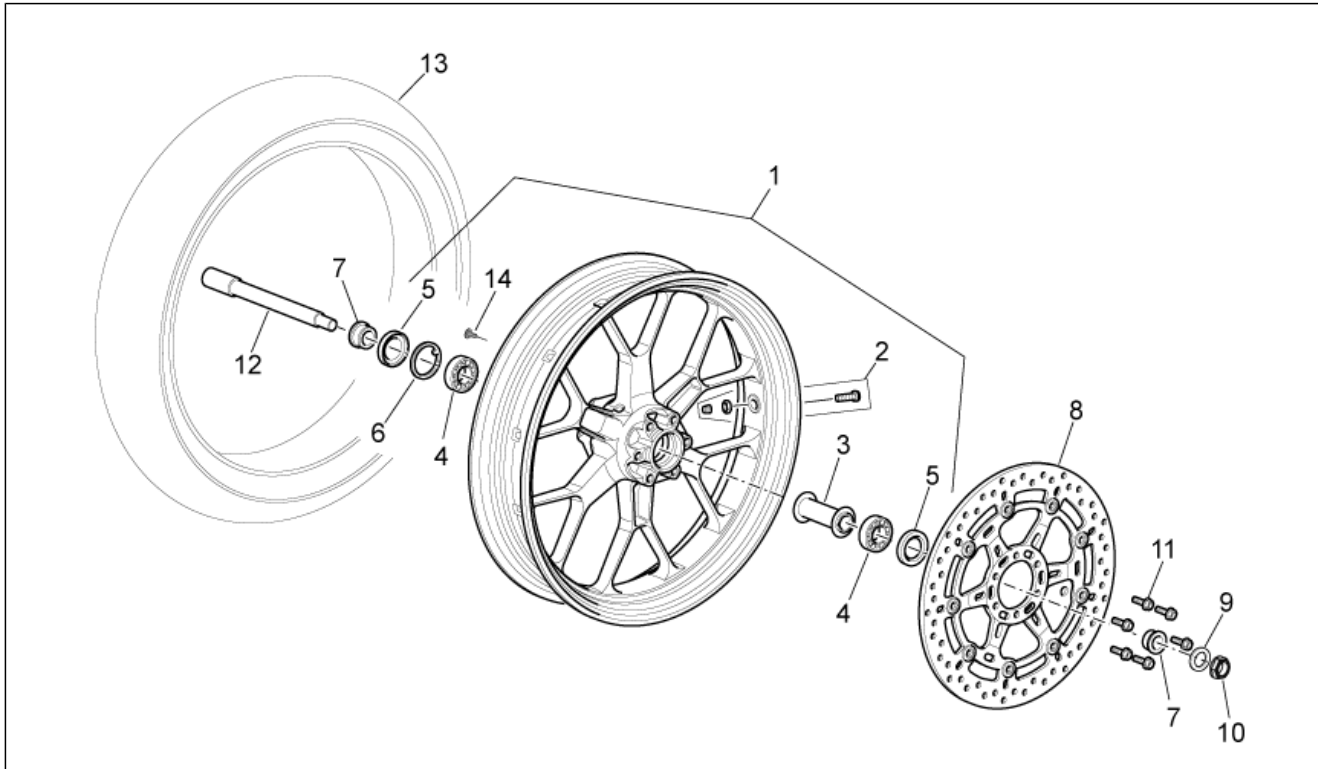
Pos.	Codice	Descrizione	Q.ta	Varianti
1	AP8119842	Silenziatore dx	1	<b>Specifiche Tecniche:</b> Omologazione Euro2 (telaio ZD4VD0)[VD0], Omologazione Euro2 (telaio ZD4VDA)[VDA]
1	AP8119905	Silenziatore dx	1	<b>Specifiche Tecniche:</b> Omologazione Euro3 (telaio ZD4VDB)[VDB], Omologazione Euro3 (telaio ZD4VDD)[VDD], Omologazione Euro3 (telaio ZD4VDE)[VDE]
2	AP8119843	Silenziatore sx	1	<b>Specifiche Tecniche:</b> Omologazione Euro2 (telaio ZD4VD0)[VD0], Omologazione Euro2 (telaio ZD4VDA)[VDA]
2	AP8119907	Silenziatore sx	1	<b>Specifiche Tecniche:</b> Omologazione Euro3 (telaio ZD4VDB)[VDB], Omologazione Euro3 (telaio ZD4VDD)[VDD], Omologazione Euro3 (telaio ZD4VDE)[VDE]
3	AP8119845	Collettore scarico sx	1	
4	AP8119844	Collettore anteriore	1	<b>Specifiche Tecniche:</b> Omologazione Euro2 (telaio ZD4VD0)[VD0], Omologazione Euro2 (telaio ZD4VDA)[VDA]
4	AP8119900	Collettore anteriore	1	<b>Specifiche Tecniche:</b> Omologazione Euro3 (telaio ZD4VDB)[VDB], Omologazione Euro3 (telaio ZD4VDD)[VDD], Omologazione Euro3 (telaio ZD4VDE)[VDE]
5	AP8119847	Protezione silenziatore	2	
6	AP8150378	Rosetta 6,4x18x2	2	
7	AP8179018	Protezione anticalore	1	<b>Specifiche Tecniche:</b> Polizia Municipale[PM], Versione Enduro Trail[RX], Versione Strada[SX]
7	AP8706565	Protezione anticalore carb.	1	<b>Specifiche Tecniche:</b> Versione Factory[Fac]
8	AP8150505	Vite TCEI m4x6 inox	4	
9	AP8144071	Gommino marmitta	4	
10	AP8121773	Distanziale *	2	
11	AP8150018	Rosetta	2	
12	AP8150277	Vite TCEI	2	
13	AP8152488	Gommino *	2	
14	AP8221023	Bussola a 'T' *	2	
15	AP8152280	Vite te flang. M6x25	2	
16	AP8152300	Dado autobloc.flang. M8	2	
17	AP8119734	Fascetta	3	

<b>Gruppo</b>	TELAIO
<b>Codice</b>	28.28
<b>Descrizione</b>	Gruppo scarico
<b>Revisione</b>	1



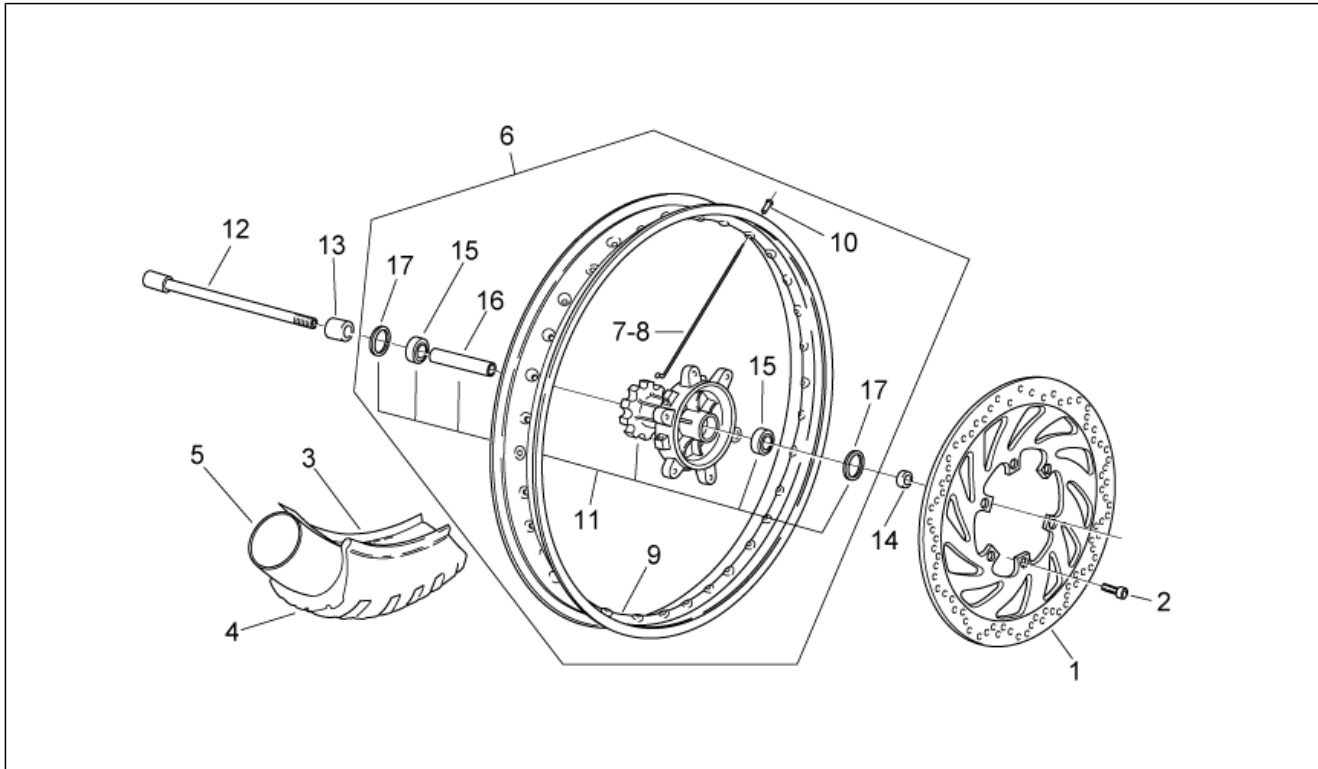
Pos.	Codice	Descrizione	Q.ta	Varianti
18	AP8119872	Guarnizione	3	
19	AP8119664	Tappo	1	
20	AP8150489	Rosetta 10x14x1	1	
21	AP8152246	Vite TBEI flangiata	2	<b>Specifiche Tecniche:</b> Versione Factory[Fac]
21	AP8152342	Vite TE flangiata M6x12	2	<b>Specifiche Tecniche:</b> Polizia Municipale[PM], Versione Enduro Trail[RX], Versione Strada[SX]
22	AP8221297	Rosetta isolante	4	
23	AP8152489	Gommino	2	
24	AP8150015	Rosetta 6,6x18x1,6*	2	
25	853355	Sonda lambda	1	<b>Specifiche Tecniche:</b> Omologazione Euro3 (telaio ZD4VDB) [VDB], Omologazione Euro3 (telaio ZD4VDD)[VDD], Omologazione Euro3 (telaio ZD4VDE)[VDE]
26	AP8120657	Fascetta	1	<b>Specifiche Tecniche:</b> Omologazione Euro3 (telaio ZD4VDB) [VDB], Omologazione Euro3 (telaio ZD4VDD)[VDD], Omologazione Euro3 (telaio ZD4VDE)[VDE]
27	AP8120416	Fascetta nera 178x4*	1	<b>Specifiche Tecniche:</b> Omologazione Euro3 (telaio ZD4VDB) [VDB], Omologazione Euro3 (telaio ZD4VDD)[VDD], Omologazione Euro3 (telaio ZD4VDE)[VDE]
28	AP8152181	Rosetta ferro piana 6,4x15x1	2	<b>Specifiche Tecniche:</b> Versione Factory[Fac]

<b>Gruppo</b>	TELAIO
<b>Codice</b>	28.29
<b>Descrizione</b>	Ruota anteriore I
<b>Revisione</b>	1



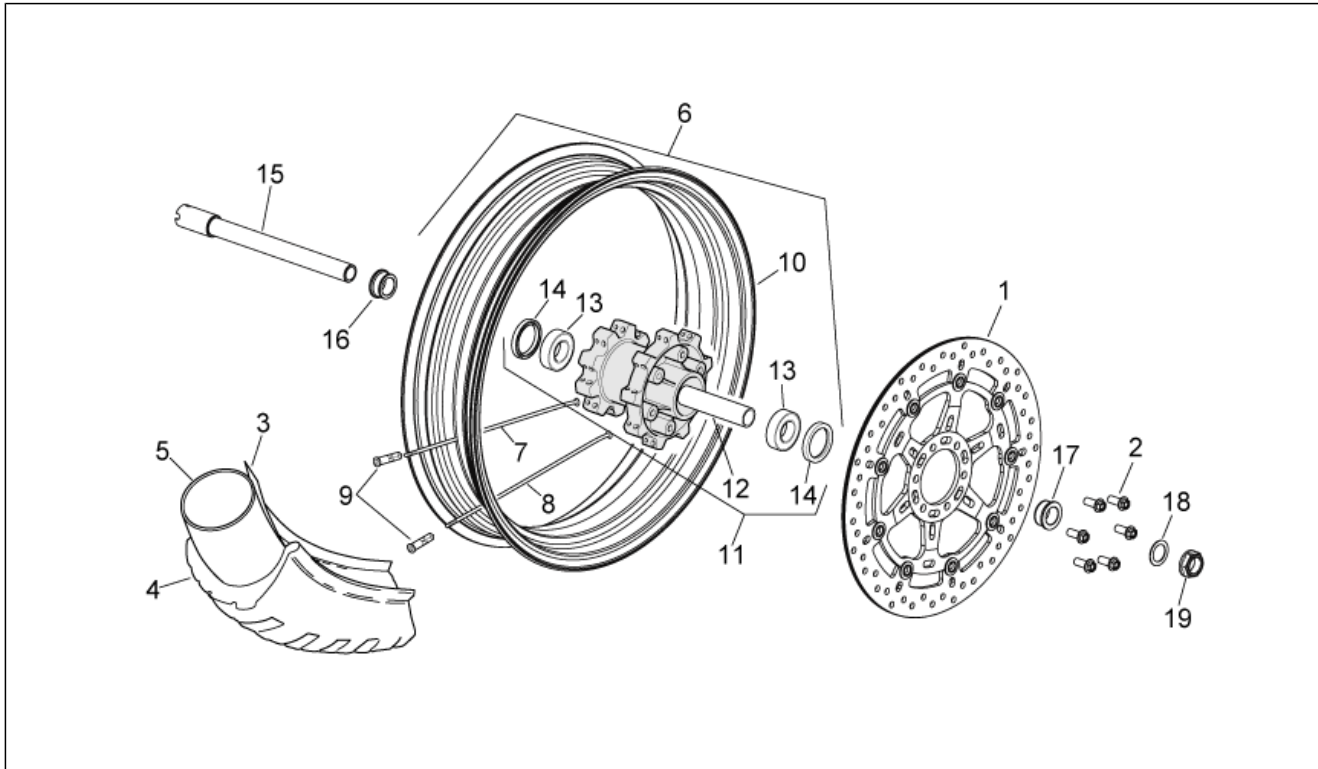
Pos.	Codice	Descrizione	Q.ta	Varianti
1	AP8128110	Ruota ant.nuda blu 3.5"x17"	1	Anno:2005[5], 2006[6], 2007[7], 2008[8] <b>Specifiche Tecniche:</b> Polizia Municipale[PM], Versione Strada[SX], Marchio ZNL[zn]
1	AP8128234	Ruota ant.nuda nera 3.5"x17"	1	Anno:2009[9] <b>Specifiche Tecniche:</b> Versione Strada[SX]
2	AP8101744	Valvola tubeless	1	<b>Specifiche Tecniche:</b> Polizia Municipale[PM], Versione Strada[SX]
3	AP8161080	Distanziale int.	1	<b>Specifiche Tecniche:</b> Polizia Municipale[PM], Versione Strada[SX], Marchio ZNL[zn]
4	AP8110107	Cuscinetto 20X47X14	2	<b>Specifiche Tecniche:</b> Polizia Municipale[PM], Versione Strada[SX]
5	AP8110109	Anello di tenuta 28X47X7	2	<b>Specifiche Tecniche:</b> Polizia Municipale[PM], Versione Strada[SX]
6	AP8125842	Anello elastico d47	1	<b>Specifiche Tecniche:</b> Polizia Municipale[PM], Versione Strada[SX]
7	AP8125926	Distanziale est.	2	<b>Specifiche Tecniche:</b> Polizia Municipale[PM], Versione Strada[SX]
8	AP8133781	Disco freno ant.	1	<b>Specifiche Tecniche:</b> Polizia Municipale[PM], Versione Strada[SX]
9	AP8125687	Rosetta perno ruota post.	1	<b>Specifiche Tecniche:</b> Polizia Municipale[PM], Versione Strada[SX]
10	AP8125763	Dado perno ruota post.	1	<b>Specifiche Tecniche:</b> Polizia Municipale[PM], Versione Strada[SX]
11	AP8152286	Vite te flang. M8x20	6	<b>Specifiche Tecniche:</b> Polizia Municipale[PM], Versione Strada[SX]
12	AP8125924	Perno ruota ant.	1	<b>Specifiche Tecniche:</b> Polizia Municipale[PM], Versione Strada[SX]
13	0000000	Copertura	1	<b>Specifiche Tecniche:</b> Polizia Municipale[PM], Versione Strada[SX]
14	AP8102600	Tappo	6	<b>Specifiche Tecniche:</b> Polizia Municipale[PM], Versione Strada[SX]

<b>Gruppo</b>	TELAIO
<b>Codice</b>	28.30
<b>Descrizione</b>	Ruota anteriore II
<b>Revisione</b>	1



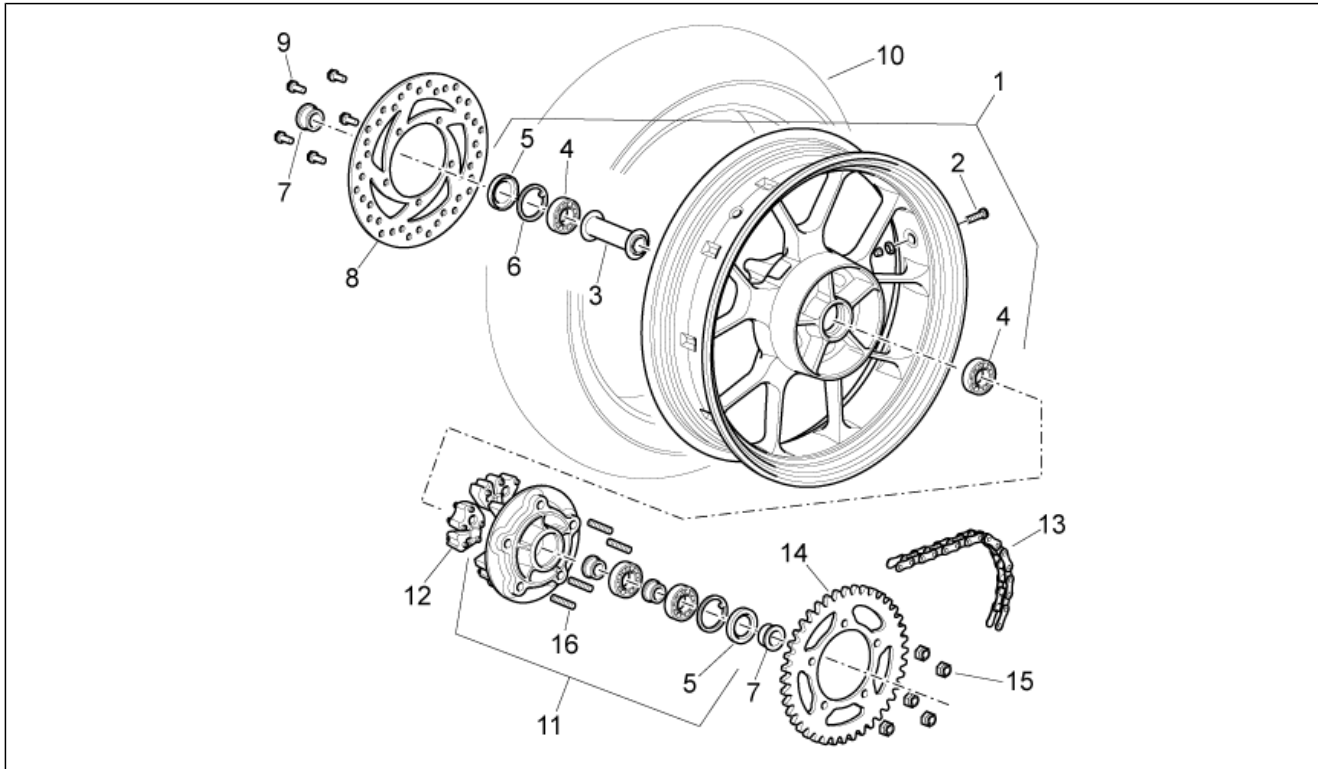
Pos.	Codice	Descrizione	Q.ta	Varianti
1	AP8113485	Disco freno ant.inox D300	1	Specifiche Tecniche:Versione Enduro Trail[RX]
2	AP8152156	Vite TCEI M6x14	6	Specifiche Tecniche:Versione Enduro Trail[RX]
3	AP8109280	Flap ruota ant. 19"	1	Specifiche Tecniche:Versione Enduro Trail[RX]
4	0000000	Copertura	1	Specifiche Tecniche:Versione Enduro Trail[RX]
5	0000000	Copertura	1	Specifiche Tecniche:Versione Enduro Trail[RX]
6	AP8128182	Ruota ant.nuda	1	Specifiche Tecniche:Versione Enduro Trail[RX]
7	AP8108757	Raggio ant.sx	18	Specifiche Tecniche:Versione Enduro Trail[RX]
8	AP8108758	Raggio ant.dx	18	Specifiche Tecniche:Versione Enduro Trail[RX]
9	AP8108469	Cerchio D19"	1	Specifiche Tecniche:Versione Enduro Trail[RX]
10	AP8108672	Nipples D3,5	36	Specifiche Tecniche:Versione Enduro Trail[RX]
11	AP8125940	Mozzo ant.nudo	1	Specifiche Tecniche:Versione Enduro Trail[RX]
12	AP8125755	Perno ruota ant.	1	Specifiche Tecniche:Versione Enduro Trail[RX]
13	AP8161128	Distanziale ruota ant.	1	Specifiche Tecniche:Versione Enduro Trail[RX]
14	AP8128168	Distanziale ruota ant.	1	Specifiche Tecniche:Versione Enduro Trail[RX]
15	AP8110045	Cuscinetto mozzo D17x40x12	2	Specifiche Tecniche:Versione Enduro Trail[RX]
16	AP8128180	Distanziale mozzo ant.	1	Specifiche Tecniche:Versione Enduro Trail[RX]
17	AP8125462	Paraolio 30x40x7	2	Specifiche Tecniche:Versione Enduro Trail[RX]

<b>Gruppo</b>	TELAIO
<b>Codice</b>	28.31
<b>Descrizione</b>	Ruota anteriore III
<b>Revisione</b>	1



Pos.	Codice	Descrizione	Q.ta	Varianti
1	AP8113926	Disco freno ant. 320	1	Specifiche Tecniche:Versione Factory[Fac]
2	AP8152286	Vite te flang. M8x20	6	Specifiche Tecniche:Versione Factory[Fac]
3	AP8109309	Flap 17"	1	Specifiche Tecniche:Versione Factory[Fac]
4	AP8109310	Pneumatico ant. 110/70 R17	1	Specifiche Tecniche:Versione Factory[Fac]
5	AP8109306	Camera d'aria 17"	1	Specifiche Tecniche:Versione Factory[Fac]
6	853484	Ruota ant.nuda	1	Specifiche Tecniche:Versione Factory[Fac]
7	AP8128078	Raggio ant.sx D.3,5	18	Specifiche Tecniche:Versione Factory[Fac]
8	AP8128054	Raggio ant.dx D.3,5	18	Specifiche Tecniche:Versione Factory[Fac]
9	AP8108672	Nipples D3,5	36	Specifiche Tecniche:Versione Factory[Fac]
10	852452	Cerchio ant.oro 3.5"x17"	1	Specifiche Tecniche:Versione Factory[Fac]
11	852461	Mozzo ant.	1	Specifiche Tecniche:Versione Factory[Fac]
12	AP8125590	Distanziale cuscinetti	1	Specifiche Tecniche:Versione Factory[Fac]
13	AP8128186	Cuscinetto 6004-2RS D20x42x12	2	Specifiche Tecniche:Versione Factory[Fac]
14	AP8128188	Anello di tenuta 30x42x7	2	Specifiche Tecniche:Versione Factory[Fac]
15	AP8125924	Perno ruota ant.	1	Specifiche Tecniche:Versione Factory[Fac]
16	852930	Distanziale est.	1	Specifiche Tecniche:Versione Factory[Fac]
17	852457	Distanziale est.	1	Specifiche Tecniche:Versione Factory[Fac]
18	AP8125687	Rosetta perno ruota post.	1	Specifiche Tecniche:Versione Factory[Fac]
19	AP8125763	Dado perno ruota post.	1	Specifiche Tecniche:Versione Factory[Fac]

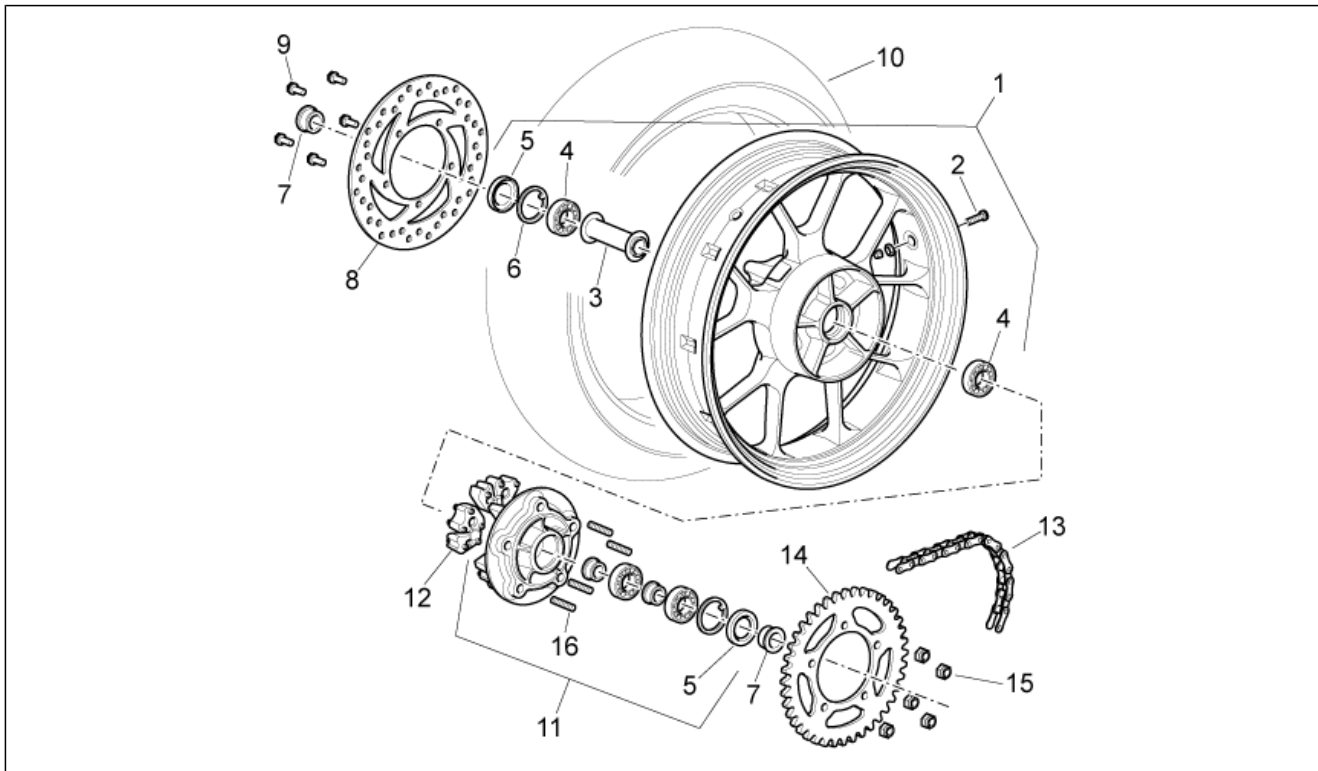
<b>Gruppo</b>	TELAIO
<b>Codice</b>	28.32
<b>Descrizione</b>	Ruota posteriore I
<b>Revisione</b>	1



Pos.	Codice	Descrizione	Q.ta	Varianti
1	AP8128112	Ruota post.nuda blu 4.5"x17	1	Anno:2005[5], 2006[6], 2007[7], 2008[8] <b>Specifiche Tecniche:</b> Polizia Municipale[PM], Versione Strada[SX], Marchio ZNL[zn]
1	AP8128236	Ruota post.nuda nera 4.5"x17	1	Anno:2009[9] <b>Specifiche Tecniche:</b> Versione Strada[SX]
2	AP8101744	Valvola tubeless	1	<b>Specifiche Tecniche:</b> Polizia Municipale[PM], Versione Strada[SX]
3	AP8161081	Distanziale int.	1	<b>Specifiche Tecniche:</b> Polizia Municipale[PM], Versione Strada[SX], Marchio ZNL[zn]
4	AP8110107	Cuscinetto 20X47X14	2	<b>Specifiche Tecniche:</b> Polizia Municipale[PM], Versione Strada[SX]
5	AP8125841	Anello di tenuta 30x47x7	2	<b>Specifiche Tecniche:</b> Polizia Municipale[PM], Versione Strada[SX]
6	AP8125842	Anello elastico d47	1	<b>Specifiche Tecniche:</b> Polizia Municipale[PM], Versione Strada[SX]
7	AP8125928	Distanziale est.	2	<b>Specifiche Tecniche:</b> Polizia Municipale[PM], Versione Strada[SX]
8	AP8133789	Disco freno post. D.240	1	<b>Specifiche Tecniche:</b> Polizia Municipale[PM], Versione Strada[SX]
9	AP8152286	Vite te flang. M8x20	5	<b>Specifiche Tecniche:</b> Polizia Municipale[PM], Versione Strada[SX]
10	0000000	Copertura	1	<b>Specifiche Tecniche:</b> Polizia Municipale[PM], Versione Strada[SX]
11	AP8107158	Portacorona cpl.	1	<b>Specifiche Tecniche:</b> Polizia Municipale[PM], Versione Strada[SX], Omologazione Euro2 (telaio ZD4VD0)[VD0], Marchio ZNL[zn]
11	AP8107172	Portacorona cpl.	1	<b>Specifiche Tecniche:</b> Polizia Municipale[PM], Versione Strada[SX], Omologazione Euro3 (telaio ZD4VDB)[VDB], Marchio ZNL[zn]
11	AP8128237	Portacorona cpl.	1	Anno:2009[9]
12	AP8144686	Gomma parastrappi	5	<b>Specifiche Tecniche:</b> Polizia Municipale[PM], Versione Strada[SX]



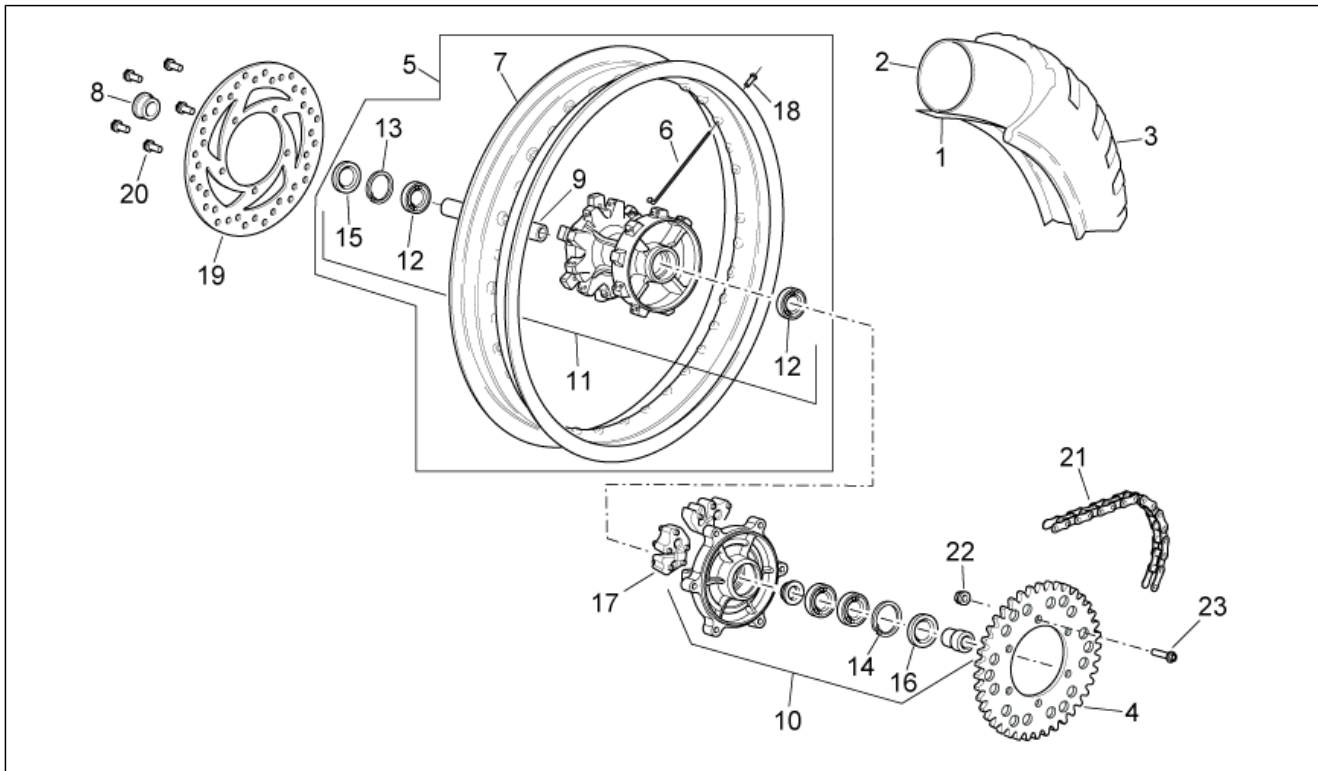
<b>Gruppo</b>	TELAIO
<b>Codice</b>	28.32
<b>Descrizione</b>	Ruota posteriore I
<b>Revisione</b>	1



Pos.	Codice	Descrizione	Q.ta	Varianti
13	AP8107168	Catena	1	<b>Specifiche Tecniche:</b> Polizia Municipale[PM], Versione Strada[SX]
14	AP8107157	Corona Z=44	1	<b>Specifiche Tecniche:</b> Polizia Municipale[PM], Versione Strada[SX]
15	AP8152301	Dado autobloc.flang.	5	<b>Specifiche Tecniche:</b> Polizia Municipale[PM], Versione Strada[SX]
16	AP8161147	Prigioniero	5	<b>Specifiche Tecniche:</b> Polizia Municipale[PM], Versione Strada[SX]

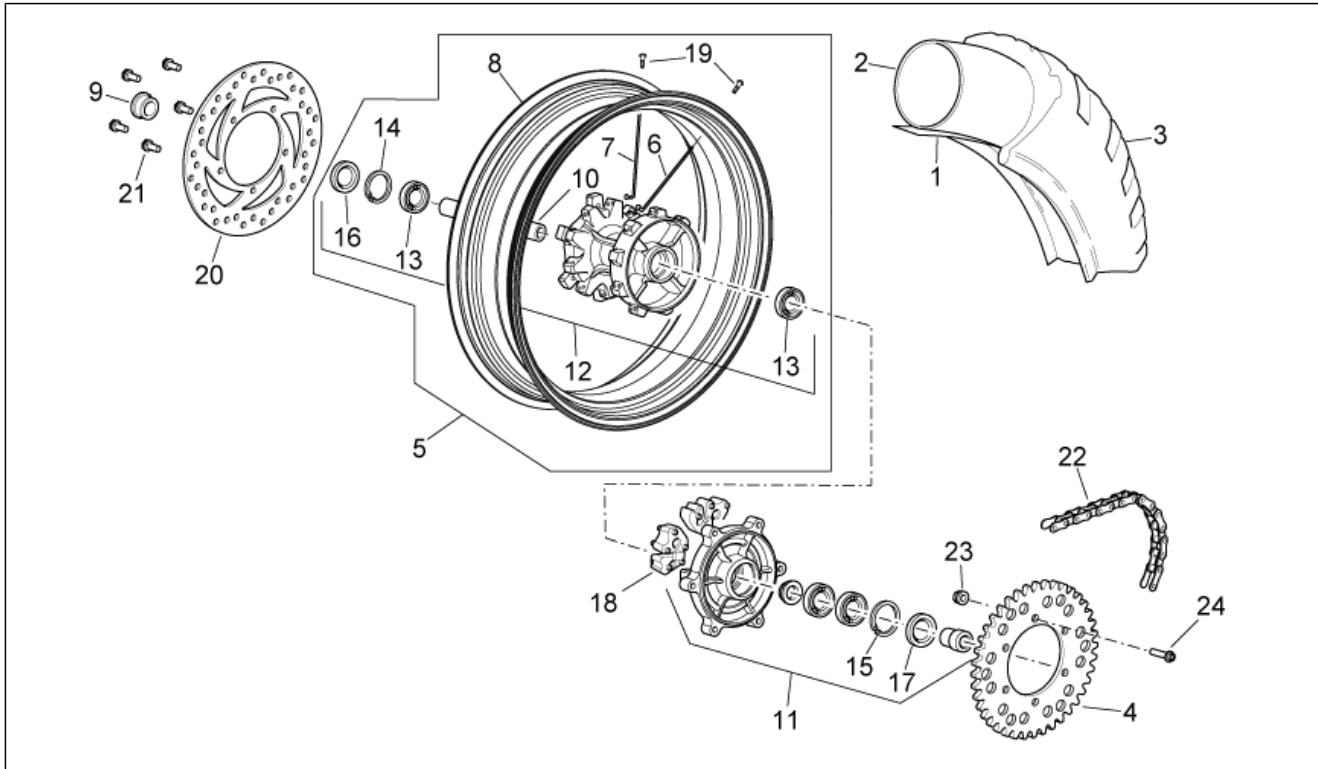


<b>Gruppo</b>	TELAIO
<b>Codice</b>	28.33
<b>Descrizione</b>	Ruota posteriore II
<b>Revisione</b>	1



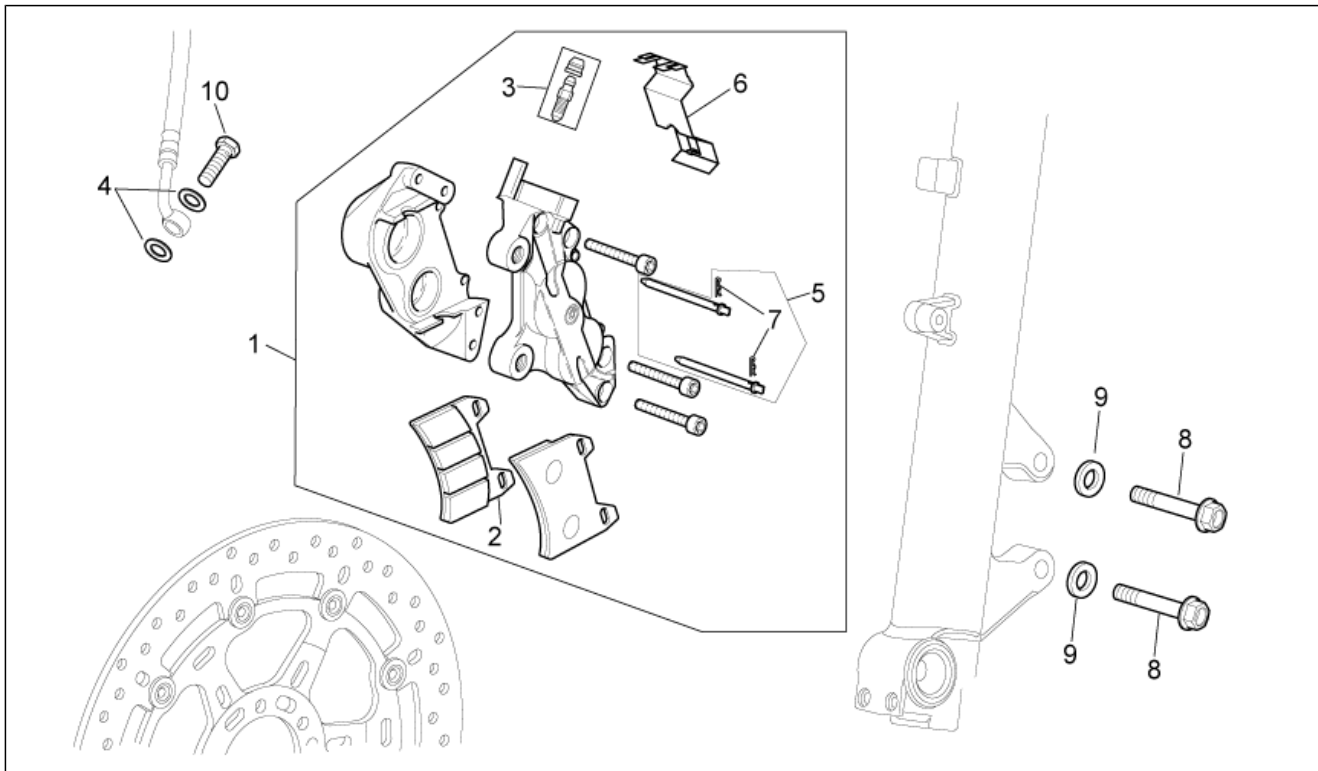
Pos.	Codice	Descrizione	Q.ta	Varianti
1	AP8109281	Flap ruota post. 18"	1	Specifiche Tecniche:Versione Enduro Trail[RX]
2	0000000	Copertura	1	Specifiche Tecniche:Versione Enduro Trail[RX]
3	0000000	Copertura	1	Specifiche Tecniche:Versione Enduro Trail[RX]
4	AP8107167	Corona Z=44	1	Specifiche Tecniche:Versione Enduro Trail[RX]
5	AP8128183	Ruota post.nuda	1	Specifiche Tecniche:Versione Enduro Trail[RX]
6	AP8108759	Raggio 3,5	36	Specifiche Tecniche:Versione Enduro Trail[RX]
7	AP8108471	Cerchio D17"	1	Specifiche Tecniche:Versione Enduro Trail[RX]
8	AP8125949	Distanziale est.	1	Specifiche Tecniche:Versione Enduro Trail[RX]
9	AP8128185	Distanziale int.	1	Specifiche Tecniche:Versione Enduro Trail[RX]
10	AP8107160	Portacorona cpl.	1	Specifiche Tecniche:Versione Enduro Trail[RX]
11	AP8125941	Mozzo post.nudo	1	Specifiche Tecniche:Versione Enduro Trail[RX]
12	AP8128186	Cuscinetto 6004-2RS D20x42x12	2	Specifiche Tecniche:Versione Enduro Trail[RX]
13	AP8128187	Anello Seeger d42	1	Specifiche Tecniche:Versione Enduro Trail[RX]
14	AP8125805	Anello Seeger d47	1	Specifiche Tecniche:Versione Enduro Trail[RX]
15	AP8128188	Anello di tenuta 30x42x7	1	Specifiche Tecniche:Versione Enduro Trail[RX]
16	AP8125841	Anello di tenuta 30x47x7	1	Specifiche Tecniche:Versione Enduro Trail[RX]
17	AP8144758	Gomma parastrappi	5	Specifiche Tecniche:Versione Enduro Trail[RX]
18	AP8108672	Nipples D3,5	36	Specifiche Tecniche:Versione Enduro Trail[RX]
19	AP8113486	Disco freno post.	1	Specifiche Tecniche:Versione Enduro Trail[RX]
20	AP8152156	Vite TCEI M6x14	6	Specifiche Tecniche:Versione Enduro Trail[RX]
21	AP8107168	Catena	1	Specifiche Tecniche:Versione Enduro Trail[RX]
22	AP8152300	Dado autobloc.flang. M8	6	Specifiche Tecniche:Versione Enduro Trail[RX]
23	AP8152289	Vite TE flangiata	6	Specifiche Tecniche:Versione Enduro Trail[RX]

<b>Gruppo</b>	TELAIO
<b>Codice</b>	28.34
<b>Descrizione</b>	Ruota posteriore III
<b>Revisione</b>	1



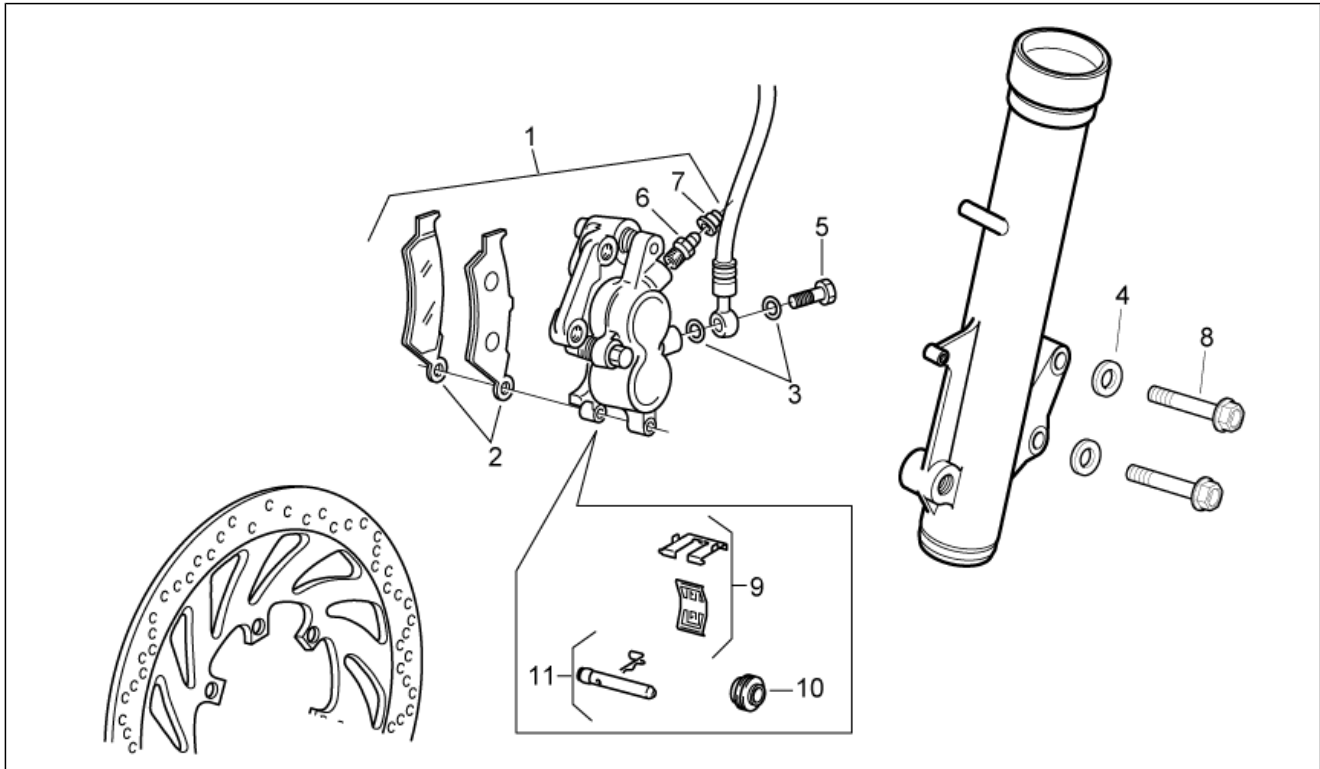
Pos.	Codice	Descrizione	Q.ta	Varianti
1	AP9100527	Flap 17"	1	Specifiche Tecniche:Versione Factory[Fac]
2	AP9100526	Camera d'aria 17"	1	Specifiche Tecniche:Versione Factory[Fac]
3	AP8109311	Pneumatico post. 160/60-17" Pirelli	1	Specifiche Tecniche:Versione Factory[Fac]
4	AP8107167	Corona Z=44	1	Specifiche Tecniche:Versione Factory[Fac]
5	853485	Ruota post.nuda	1	Specifiche Tecniche:Versione Factory[Fac]
6	AP8128055	Raggio D.3,5	18	Specifiche Tecniche:Versione Factory[Fac]
7	AP8128054	Raggio ant.dx D.3,5	18	Specifiche Tecniche:Versione Factory[Fac]
8	852460	Cerchio post.oro 17"	1	Specifiche Tecniche:Versione Factory[Fac]
9	AP8125949	Distanziale est.	1	Specifiche Tecniche:Versione Factory[Fac]
10	AP8128185	Distanziale int.	1	Specifiche Tecniche:Versione Factory[Fac]
11	AP8107160	Portacorona cpl.	1	Specifiche Tecniche:Versione Factory[Fac]
12	854807	Mozzo post.nudo	1	Specifiche Tecniche:Versione Factory[Fac]
13	AP8128186	Cuscinetto 6004-2RS D20x42x12	2	Specifiche Tecniche:Versione Factory[Fac]
14	AP8128187	Anello Seeger d42	1	Specifiche Tecniche:Versione Factory[Fac]
15	AP8125805	Anello Seeger d47	1	Specifiche Tecniche:Versione Factory[Fac]
16	AP8128188	Anello di tenuta 30x42x7	1	Specifiche Tecniche:Versione Factory[Fac]
17	AP8125841	Anello di tenuta 30x47x7	1	Specifiche Tecniche:Versione Factory[Fac]
18	AP8144758	Gomma parastrappi	5	Specifiche Tecniche:Versione Factory[Fac]
19	AP8108672	Nipples D3,5	36	Specifiche Tecniche:Versione Factory[Fac]
20	AP8113486	Disco freno post.	1	Specifiche Tecniche:Versione Factory[Fac]
21	AP8152156	Vite TCEI M6x14	6	Specifiche Tecniche:Versione Factory[Fac]
22	AP8107168	Catena	1	Specifiche Tecniche:Versione Factory[Fac]
23	AP8152300	Dado autobloc.flang. M8	6	Specifiche Tecniche:Versione Factory[Fac]
24	AP8152289	Vite TE flangiata	6	Specifiche Tecniche:Versione Factory[Fac]

<b>Gruppo</b>	TELAIO
<b>Codice</b>	28.35
<b>Descrizione</b>	Pinza freno anteriore I
<b>Revisione</b>	1



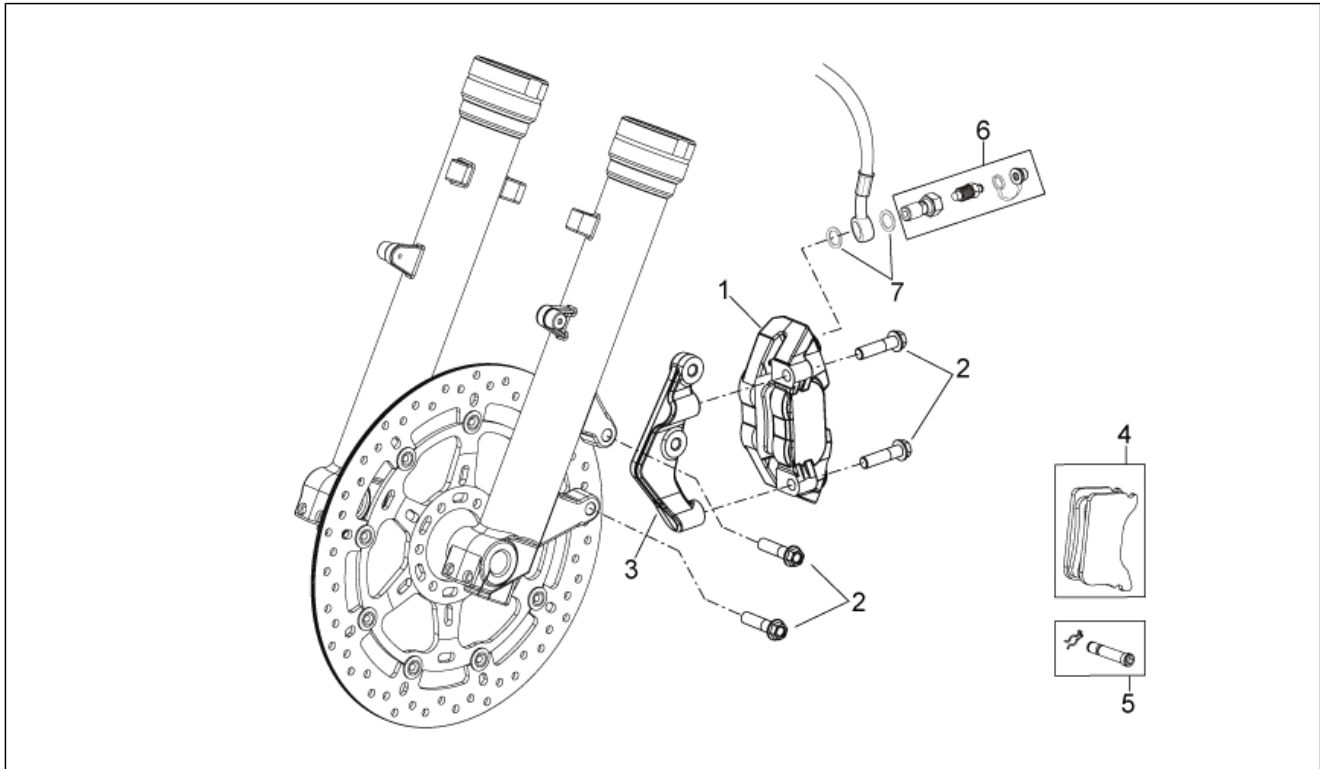
Pos.	Codice	Descrizione	Q.ta	Varianti
1	AP8133819	Pinza freno ant.oro	1	<b>Specifiche Tecniche:</b> Polizia Municipale[PM], Versione Strada[SX]
2	AP8133614	Pastiglie-coppia	1	<b>Specifiche Tecniche:</b> Polizia Municipale[PM], Versione Strada[SX]
3	AP8133824	Spurgo aria	1	<b>Specifiche Tecniche:</b> Polizia Municipale[PM], Versione Strada[SX]
4	AP8113004	Rosetta 10x14x1,6*	2	<b>Specifiche Tecniche:</b> Polizia Municipale[PM], Versione Strada[SX]
5	AP8113721	Perno+Copiglia pinza	1	<b>Specifiche Tecniche:</b> Polizia Municipale[PM], Versione Strada[SX]
6	AP8113722	Molla	1	<b>Specifiche Tecniche:</b> Polizia Municipale[PM], Versione Strada[SX]
7	AP8113723	Copiglia	1	<b>Specifiche Tecniche:</b> Polizia Municipale[PM], Versione Strada[SX]
8	AP8152483	Vite te flang. M10 X 1,25 X 40	2	<b>Specifiche Tecniche:</b> Polizia Municipale[PM], Versione Strada[SX]
9	AP8150292	Rosetta elastica curva *	2	<b>Specifiche Tecniche:</b> Polizia Municipale[PM], Versione Strada[SX]
10	AP8113003	Vite tubo olio *	1	<b>Specifiche Tecniche:</b> Polizia Municipale[PM], Versione Strada[SX]

<b>Gruppo</b>	TELAIO
<b>Codice</b>	28.36
<b>Descrizione</b>	Pinza freno anteriore II
<b>Revisione</b>	1



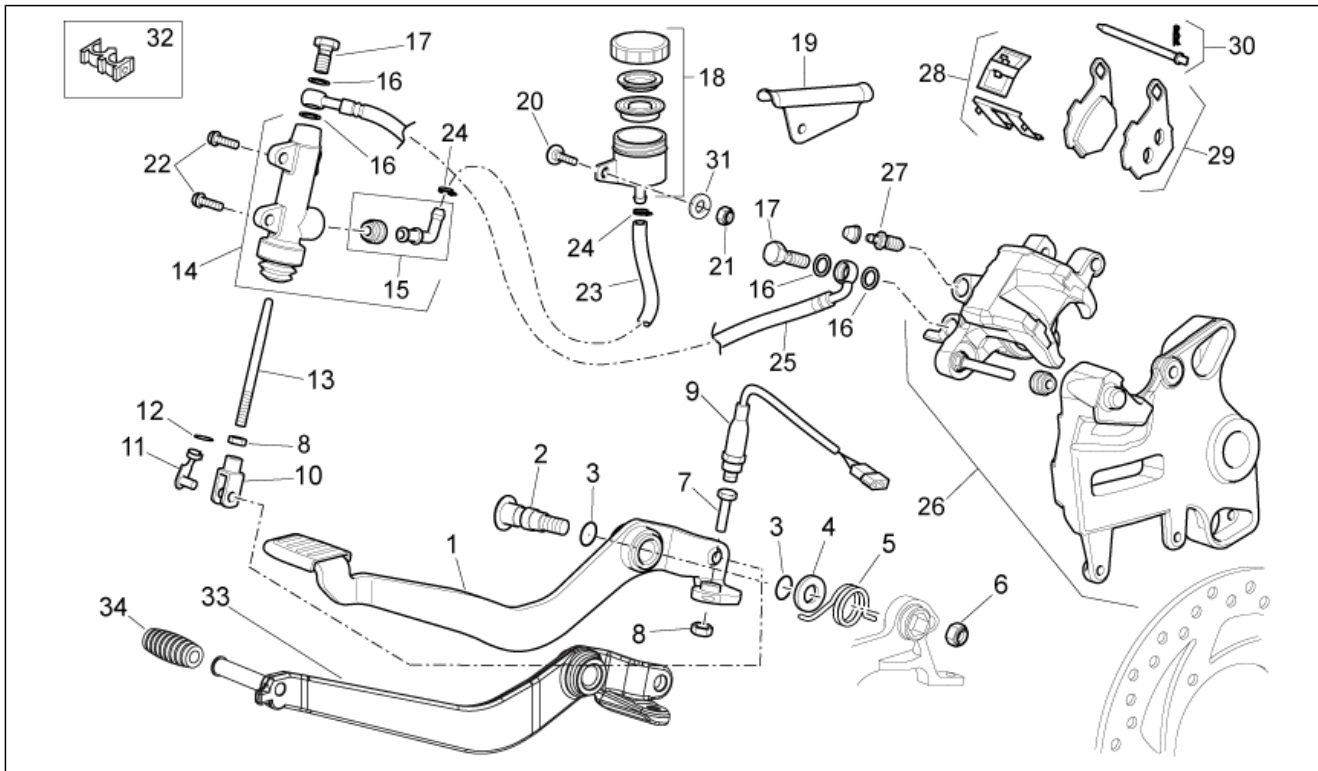
Pos.	Codice	Descrizione	Q.ta	Varianti
1	AP8133877	Pinza freno ant.	1	<b>Specifiche Tecniche:</b> Versione Enduro Trail[RX]
2	AP8133906	Pastiglie-coppia	1	<b>Specifiche Tecniche:</b> Versione Enduro Trail[RX]
3	AP8113004	Rosetta 10x14x1,6*	2	<b>Specifiche Tecniche:</b> Versione Enduro Trail[RX]
4	AP8150292	Rosetta elastica curva *	2	<b>Specifiche Tecniche:</b> Versione Enduro Trail[RX]
5	AP8113003	Vite tubo olio *	1	<b>Specifiche Tecniche:</b> Versione Enduro Trail[RX]
6	AP8133502	Spurgo aria	1	<b>Specifiche Tecniche:</b> Versione Enduro Trail[RX]
7	AP8113070	Cappuccio spurgo aria	1	<b>Specifiche Tecniche:</b> Versione Enduro Trail[RX]
8	AP8152318	Vite TE flangiata M10x35	2	<b>Specifiche Tecniche:</b> Versione Enduro Trail[RX]
9	AP8133908	Molla pinza	1	<b>Specifiche Tecniche:</b> Versione Enduro Trail[RX]
10	AP8113548	Cuffia	1	<b>Specifiche Tecniche:</b> Versione Enduro Trail[RX]
10	AP8133907	Perno+Copiglia pinza	1	<b>Specifiche Tecniche:</b> Versione Enduro Trail[RX]

<b>Gruppo</b>	TELAIO
<b>Codice</b>	28.37
<b>Descrizione</b>	Pinza freno anteriore III
<b>Revisione</b>	1



Pos.	Codice	Descrizione	Q.ta	Varianti
1	854971	Pinza freno ant.	1	Specifiche Tecniche:Versione Factory[Fac]
2	AP8152483	Vite te flang. M10 X 1,25 X 40	4	Specifiche Tecniche:Versione Factory[Fac]
3	852467	Piastra attacco pinza freno	1	Specifiche Tecniche:Versione Factory[Fac]
4	854972	Pastiglie-coppia	1	Specifiche Tecniche:Versione Factory[Fac]
5	AP9100907	Perno con copiglia	1	Specifiche Tecniche:Versione Factory[Fac]
6	AP9100905	Kit revisione spurgo	1	Specifiche Tecniche:Versione Factory[Fac]
7	AP8121915	Guarnizione	2	Specifiche Tecniche:Versione Factory[Fac]

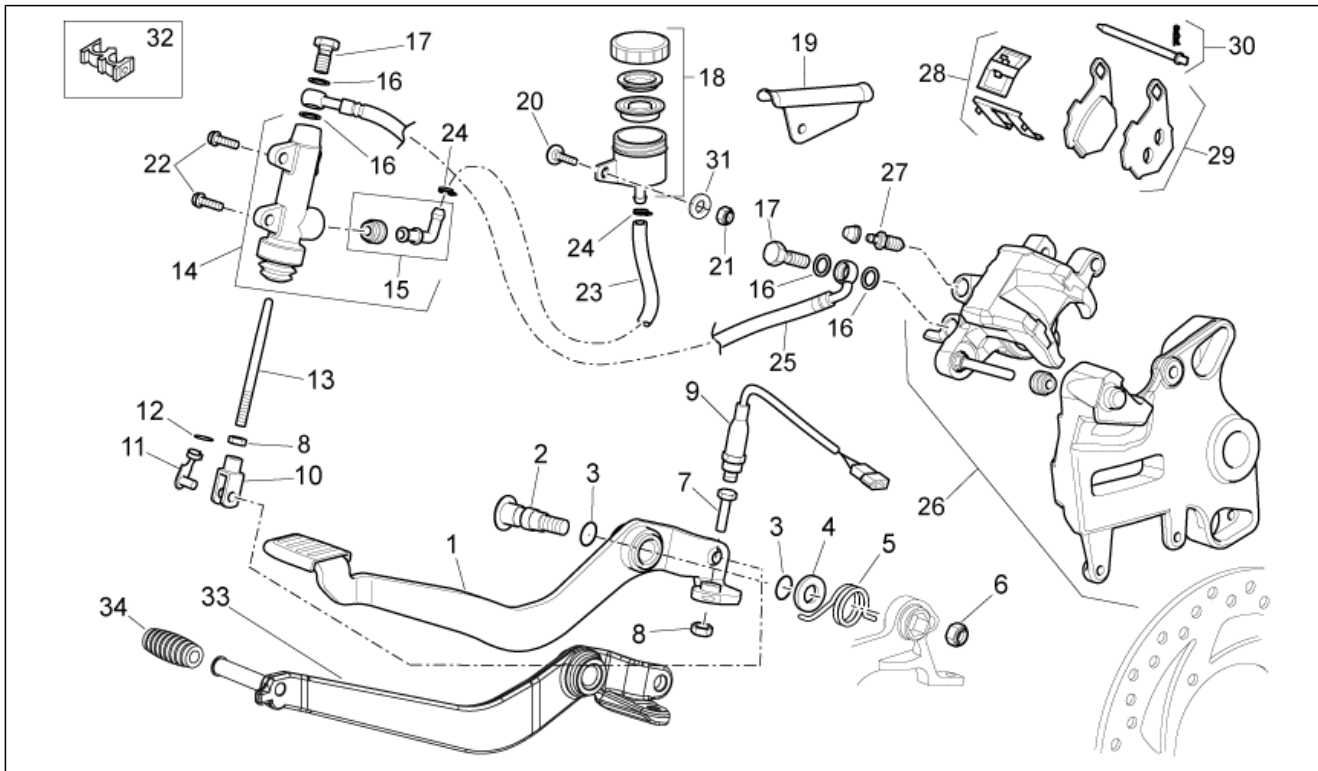
<b>Gruppo</b>	TELAIO
<b>Codice</b>	28.38
<b>Descrizione</b>	Impianto freno post.
<b>Revisione</b>	1



Pos.	Codice	Descrizione	Q.ta	Varianti
1	AP8146934	Leva freno post.cat.	1	<b>Specifiche Tecniche:</b> Polizia Municipale[PM], Versione Enduro Trail[RX], Versione Strada[SX]
2	AP8121223	Perno leva freno post.	1	
3	AP8144007	Anello OR 11,11x1,78	2	
4	AP8150020	Rosetta 10,5x21x2*	1	
5	AP8125849	Molla ritorno leva freno	1	
6	AP8150431	Dado basso M8	1	
7	AP8150071	Vite	1	
8	AP8150026	Dado M6	2	
9	AP8112996	Interruttore frizione	1	
10	852470	Forchetta	1	<b>Specifiche Tecniche:</b> Versione Factory[Fac]
10	AP8101968	Forchetta	1	<b>Specifiche Tecniche:</b> Polizia Municipale[PM], Versione Enduro Trail[RX], Versione Strada[SX]
11	AP8201301	Clips per forchetta cambio	1	
12	AP8120178	Anello OR OR112	1	
13	852469	Asta pompa	1	<b>Specifiche Tecniche:</b> Versione Factory[Fac]
13	AP8113276	Asta pompa	1	<b>Specifiche Tecniche:</b> Polizia Municipale[PM], Versione Enduro Trail[RX], Versione Strada[SX]
14	AP8133643	Pompa freno post.	1	
15	AP8213057	Raccordo pompa post.	1	
16	AP8113004	Rosetta 10x14x1,6*	4	
17	AP8113003	Vite tubo olio *	2	
18	AP8133873	Serbatoio olio freni cpl.	1	
19	AP8179203	Protezione tubo freno post.	1	
20	AP8152267	Vite TBEI speciale	1	
21	AP8150311	Dado autobloc.basso	1	
22	AP8152278	Vite TE flangiata M6x16	2	
23	AP8144151	Tubo in gomma	1	
24	AP8101595	Fascetta D10,1*	2	



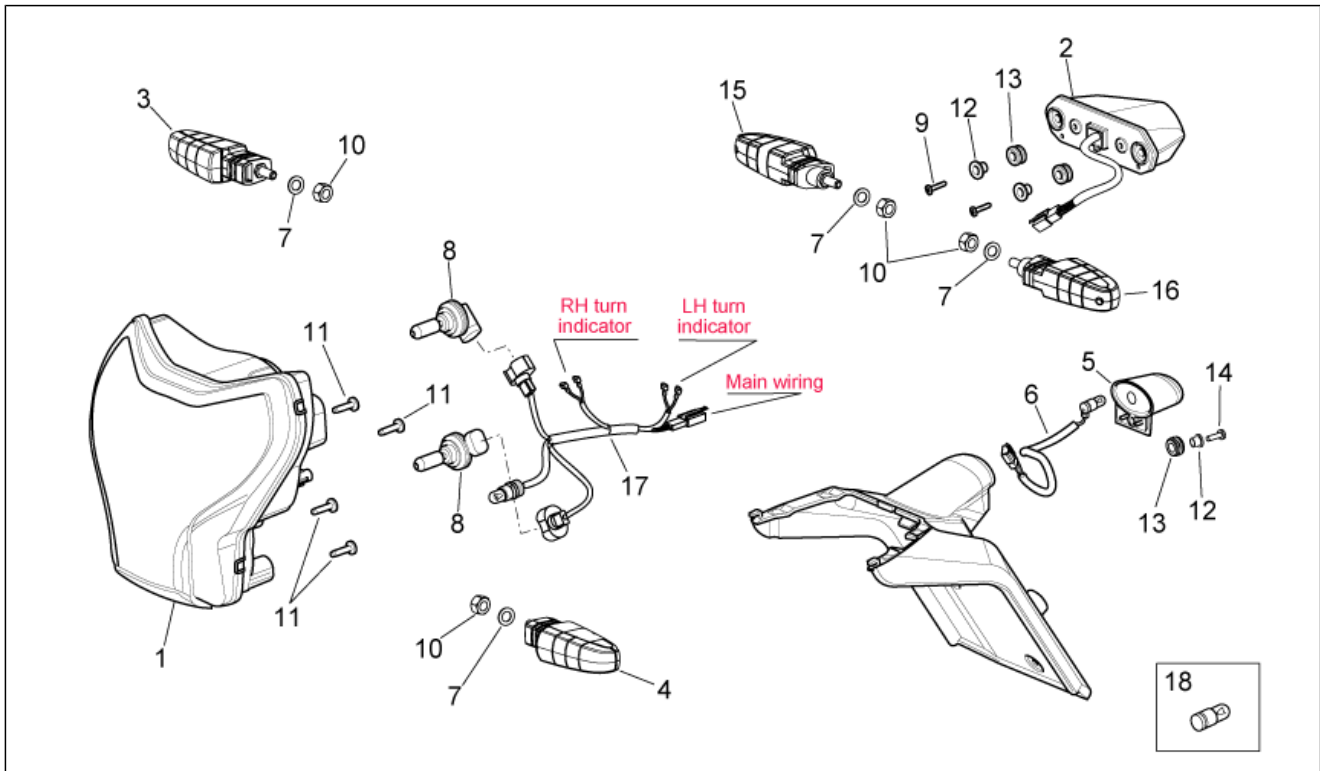
<b>Gruppo</b>	TELAIO
<b>Codice</b>	28.38
<b>Descrizione</b>	Impianto freno post.
<b>Revisione</b>	1



Pos.	Codice	Descrizione	Q.ta	Varianti
25	AP8133757	Tubo freno post.	1	
26	AP8133820	Pinza freno post.oro	1	<b>Specifiche Tecniche:</b> Versione Factory[Fac], Polizia Municipale[PM], Versione Strada[SX]
26	AP8133879	Pinza freno post.	1	<b>Specifiche Tecniche:</b> Versione Enduro Trail[RX]
27	AP8113549	Spurgo aria	1	
28	AP8133827	Molla+lamierino	1	
29	AP8133825	Pastiglie-coppia	1	<b>Specifiche Tecniche:</b> Versione Factory[Fac], Polizia Municipale[PM], Versione Strada[SX]
29	AP8133911	Pastiglie-coppia	1	<b>Specifiche Tecniche:</b> Versione Enduro Trail[RX]
30	AP8133826	Perno+Copiglia pinza	1	
31	AP8150284	Rosetta dentellata est.	1	
32	AP8144219	Guidacavo	1	
33	852468	Leva freno post.cat.	1	<b>Specifiche Tecniche:</b> Versione Factory[Fac]
34	AP8220189	Gommino	1	<b>Specifiche Tecniche:</b> Versione Factory[Fac]

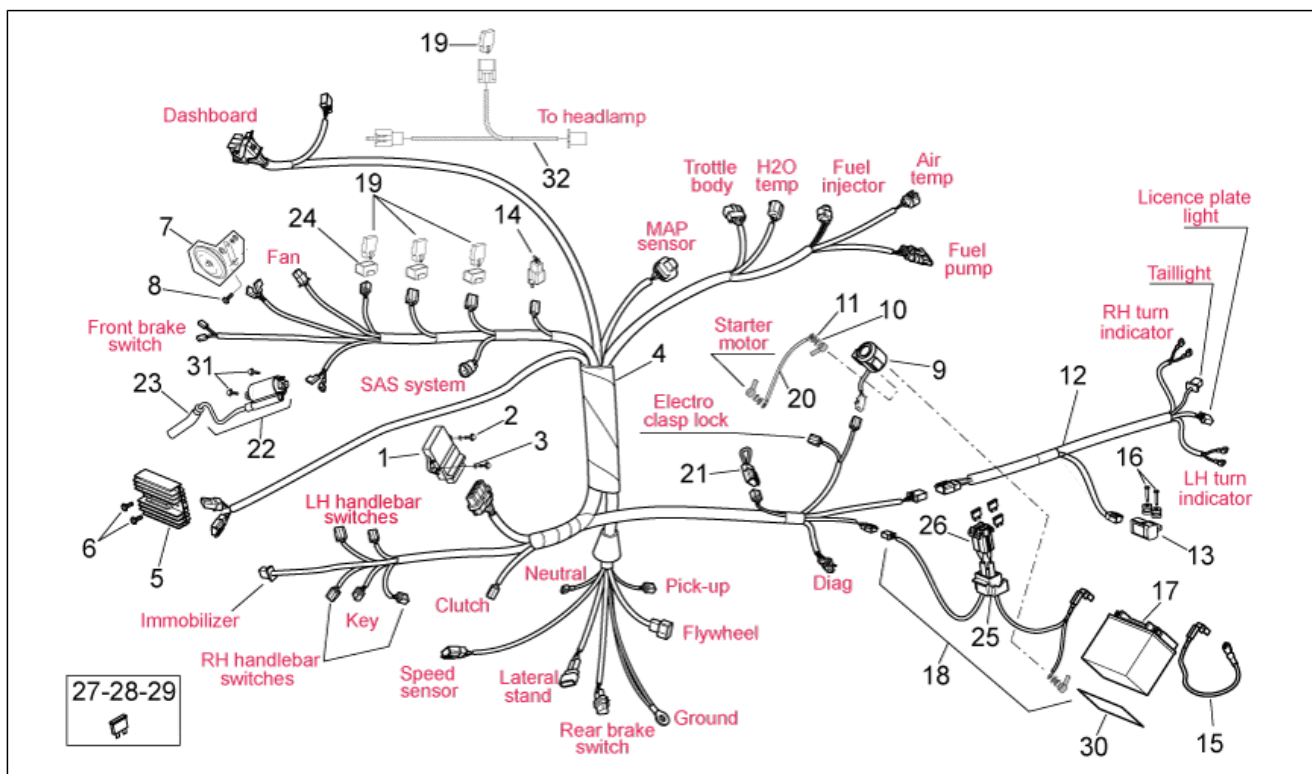


<b>Gruppo</b>	TELAIO
<b>Codice</b>	28.39
<b>Descrizione</b>	Fanaleria
<b>Revisione</b>	1



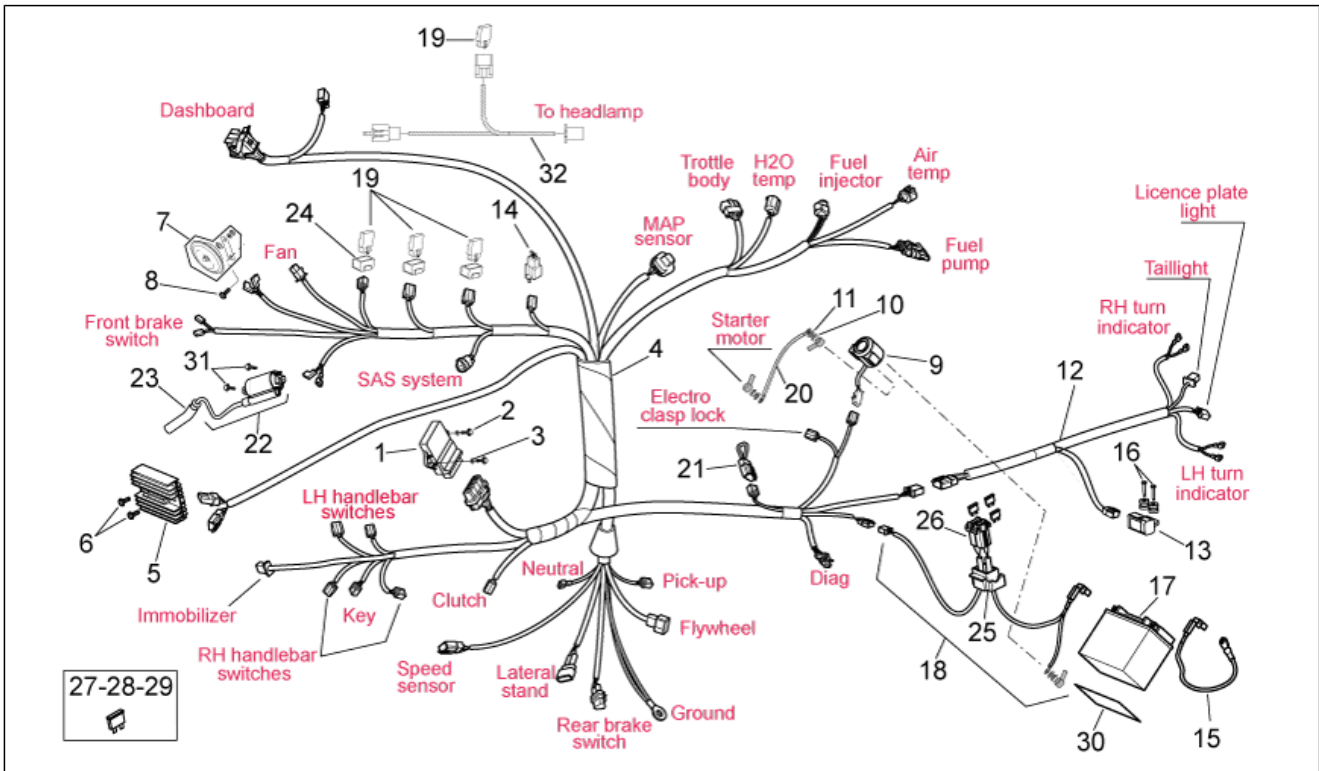
Pos.	Codice	Descrizione	Q.ta	Varianti
1	AP8127654	Fanale ant.	1	
2	AP8127652	Fanale post.	1	
3	AP8127656	Indicatore dire.ant.dx	1	
4	AP8127657	Indicatore dire.ant.sx	1	
5	AP8127098	Fanale targa	1	
6	AP8127660	Cablaggio luce targa	1	
7	AP8150017	Rosetta 8,4x16x1,6	4	
8	852200	Lampada H11 12V-55W	2	
9	AP8150270	Vite TCB 4,2x20*	2	
10	AP8152262	Dado basso	4	
11	AP8152329	Vite SWP t.croce flang. M5x20	4	
12	AP8121795	Bussola a 'T' *	3	
13	AP8112600	Gommino *	3	
14	AP8150350	Vite TCEI	1	
15	AP8127742	Indicatore dire.post.dx	1	
16	AP8127743	Indicatore dire.post.sx	1	
17	AP8127655	Cablaggio fanale ant.	1	
18	AP9100976	Lampada ambra WY2,3W	16	

<b>Gruppo</b>	TELAIO
<b>Codice</b>	28.40
<b>Descrizione</b>	Impianto elettrico
<b>Revisione</b>	1



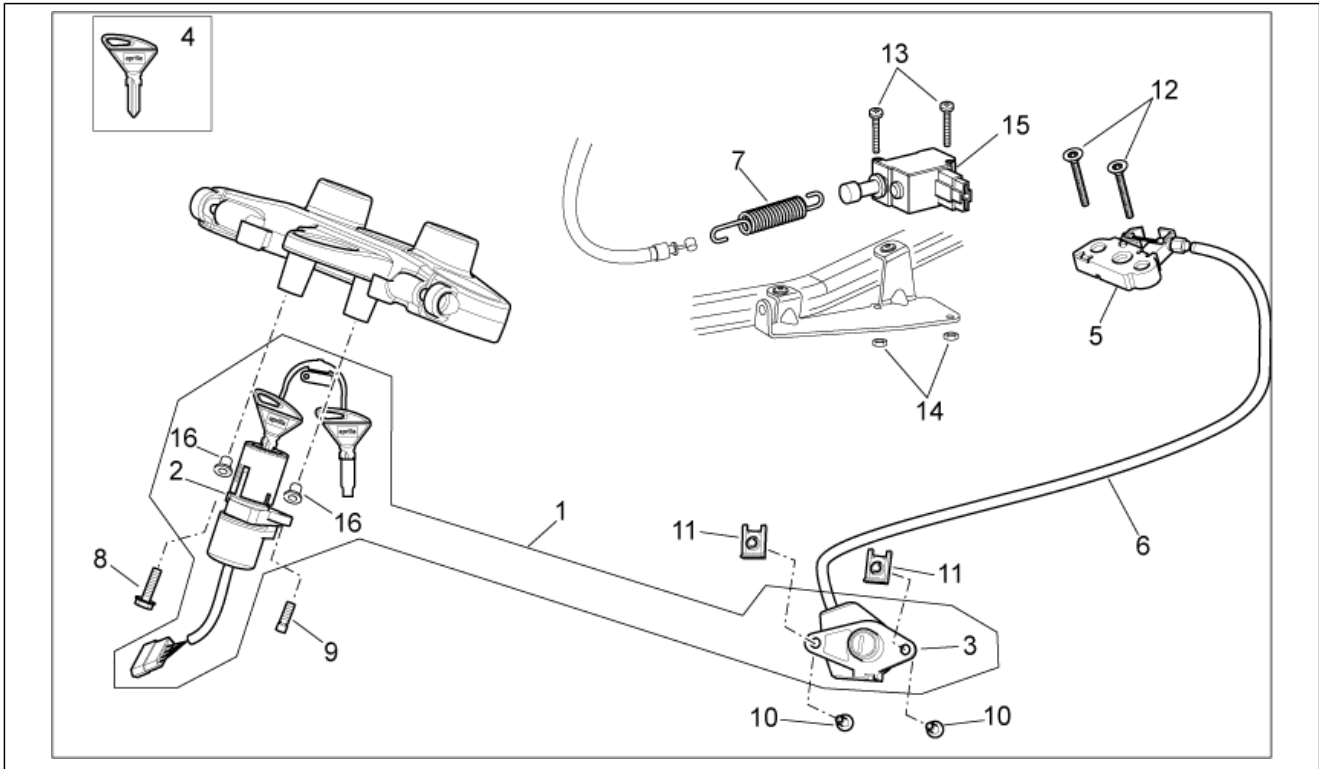
Pos.	Codice	Descrizione	Q.ta	Varianti
1	853325	Centralina	1	<b>Specifiche Tecniche:</b> Omologazione Euro3 (telaio ZD4VDB) [VDB], Omologazione Euro3 (telaio ZD4VDD)[VDD], Omologazione Euro3 (telaio ZD4VDE)[VDE]
1	AP8520028	Centralina	1	<b>Specifiche Tecniche:</b> Omologazione Euro2 (telaio ZD4VD0) [VD0], Omologazione Euro2 (telaio ZD4VDA)[VDA]
2	AP8152043	Vite TCEI M4x10	2	
3	AP8150011	Rosetta 4,3x12x1*	2	
4	852011	Cablaggio principale	1	<b>Specifiche Tecniche:</b> Omologazione Euro3 (telaio ZD4VDB) [VDB], Omologazione Euro3 (telaio ZD4VDD)[VDD]
4	853394	Cablaggio principale	1	<b>Specifiche Tecniche:</b> Omologazione Euro3 (telaio ZD4VDE) [VDE]
4	AP8127651	Cablaggio principale	1	<b>Specifiche Tecniche:</b> Omologazione Euro2 (telaio ZD4VD0) [VD0], Omologazione Euro2 (telaio ZD4VDA)[VDA]
5	AP8127693	Regolatore di tensione	1	
6	AP8152278	Vite TE flangiata M6x16	2	
7	AP8127337	Claxon	1	
8	AP8152277	Vite TE flangiata M6x12	1	
9	AP8112927	Rele' 12V-150A	1	
10	AP8150026	Dado M6	4	
11	AP8150429	Rosetta elastica 6,4x11x0,5*	4	
12	AP8127653	Cablaggio fanale post.	1	
13	AP8520155	Sensore inclinazione	1	
14	AP8127658	Diodi	1	
15	AP8127659	Cavo massa	1	
16	AP8150423	Vite TCB 4,2x25*	2	
17	AP8124748	Batteria YTX12-BS	1	
18	AP8127662	Cablaggio fusibili principali	1	
19	AP8224462	Rele' 12V/30A	3	
20	AP8127670	Cablaggio rele'-motorino avv.	1	

<b>Gruppo</b>	TELAIO
<b>Codice</b>	28.40
<b>Descrizione</b>	Impianto elettrico
<b>Revisione</b>	1



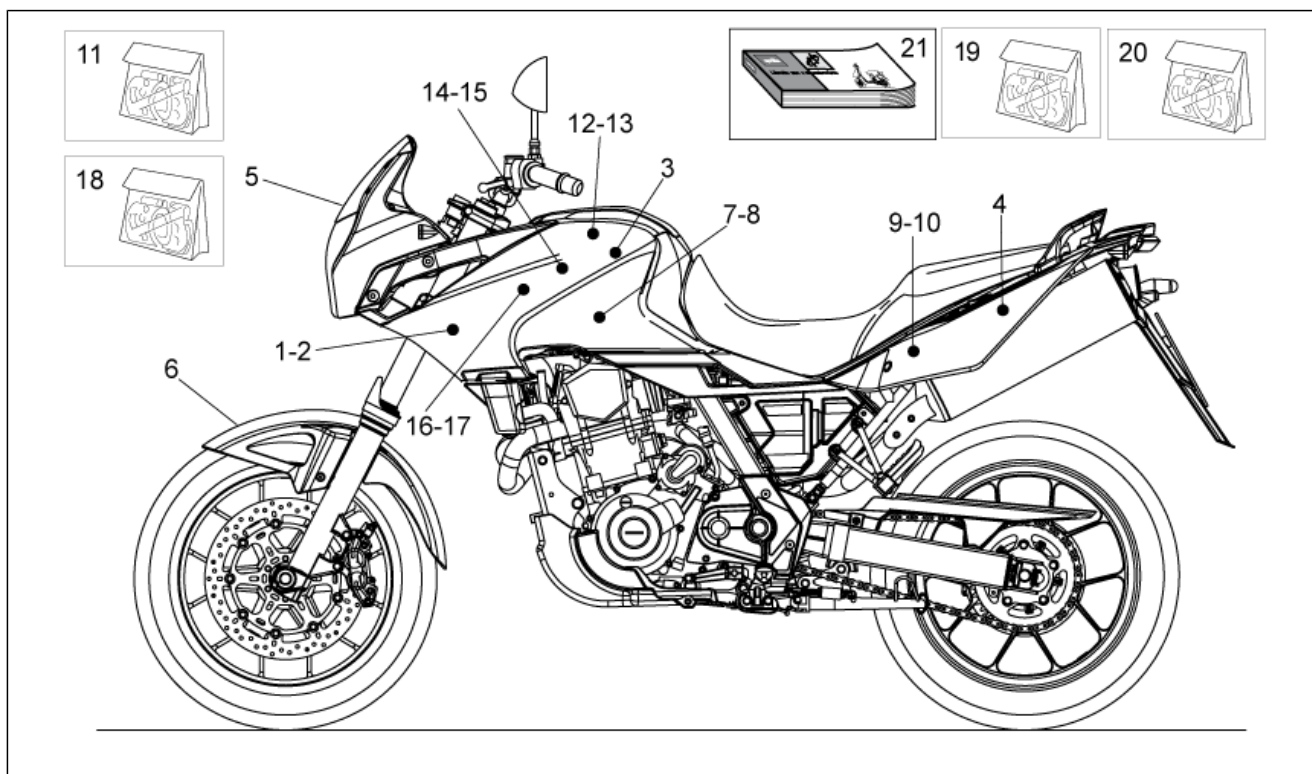
Pos.	Codice	Descrizione	Q.ta	Varianti
21	AP8212382	Diodo	1	
22	AP8520027	Bobina	1	
23	AP8520008	Pipetta candela	1	
24	AP8220283	Gommino *	3	
25	AP8144091	Gommino portafusibili	1	
26	AP8120754	Gommino portafusibili	3	
27	AP8112244	Fusibile 7,5A	2	
28	AP8112176	Fusibile 15A	2	
29	AP8112506	Fusibile 20A	2	
30	AP8144553	Gomma	1	
31	AP8152273	Vite flangiata	2	
32	854803	Cablaggio relè-abbagianti	0	

<b>Gruppo</b>	TELAIO
<b>Codice</b>	28.41
<b>Descrizione</b>	Kit serrature
<b>Revisione</b>	1



Pos.	Codice	Descrizione	Q.ta	Varianti
1	AP8104840	Kit serrature	1	
2	AP8127775	Blocchetto avviamento-blocc.	1	
3	AP8104919	Serratura sella	1	
4	AP8104920	Chiave "Aprilia" con transpo.	1	
5	AP8102913	Piastra attacco sella pass.	1	
6	AP8114487	Cavo apertura sella	1	
7	AP8161049	Molla per serratura	1	
8	AP8150211	Vite TCEI M8x16	1	
9	AP8150349	Vite speciale M8x15	1	
10	AP8152298	Vite TBEI flangiata M5x16	2	
11	AP8102375	Clip m5	2	
12	AP8702101	Vite TSPEI M6x25	2	
13	AP8150415	Vite TCB	2	
14	AP8150204	Dado M4	2	
15	AP8127650	Serratura portaoggetti ant.	1	
16	AP8121716	Bussola a 'T'	2	

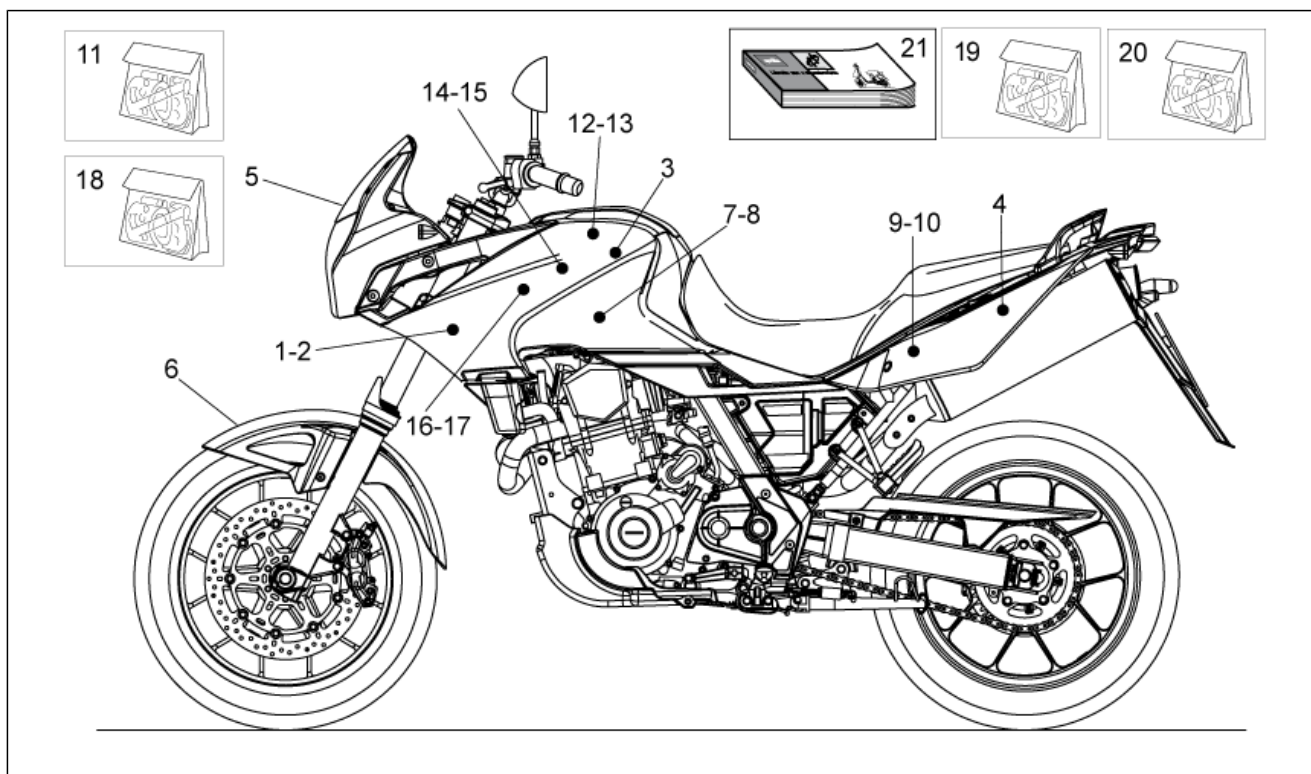
<b>Gruppo</b>	TELAIO
<b>Codice</b>	28.42
<b>Descrizione</b>	Decalco
<b>Revisione</b>	1



Pos.	Codice	Descrizione	Q.ta	Varianti
1	853312	Decalco serbatoio dx Lion	1	Anno:2007[7] Colore veicolo:Grigio Platinum 2007 (s.t. 853409)[plat] Specifiche Tecniche:Versione Strada[SX]
1	858363	Decalco serbatoio dx Lion	1	Anno:2008[8] Colore veicolo:Rosso Fluo 2008 (s.t.858324)[fluo] Specifiche Tecniche:Versione Enduro Trail[RX]
1	AP8166640	Decalco serbatoio dx Lion	1	Anno:2005[5] Colore veicolo:Nero Aprilia 2005 (s.t. 14833)[black], Sunset Red 2005 (s.t. 14832)[red] Specifiche Tecniche:Versione Strada[SX]
1	AP8166779	Decalco serbatoio dx Lion	1	Anno:2006[6], 2007[7] Colore veicolo:Grigio Titan 2006 (s.t. 15063)[grey], Rosso Shine 2007 (s.t.852821)[shine] Specifiche Tecniche:Versione Enduro Trail[RX]
2	853313	Decalco serbatoio sx Lion	1	Anno:2007[7] Colore veicolo:Grigio Platinum 2007 (s.t. 853409)[plat] Specifiche Tecniche:Versione Strada[SX]
2	858364	Decalco serbatoio sx Lion	1	Anno:2008[8] Colore veicolo:Rosso Fluo 2008 (s.t.858324)[fluo] Specifiche Tecniche:Versione Enduro Trail[RX]
2	AP8166641	Decalco serbatoio sx Lion	1	Anno:2005[5] Colore veicolo:Nero Aprilia 2005 (s.t. 14833)[black], Sunset Red 2005 (s.t. 14832)[red] Specifiche Tecniche:Versione Strada[SX]
2	AP8166780	Decalco serbatoio sx Lion	1	Anno:2006[6], 2007[7] Colore veicolo:Grigio Titan 2006 (s.t. 15063)[grey], Rosso Shine 2007 (s.t.852821)[shine] Specifiche Tecniche:Versione Enduro Trail[RX]
3	AP8166643	Dec.bianca dx-sx "aprilia"	2	Anno:2005[5] Colore veicolo:Sunset Red 2005 (s.t. 14832)[red] Specifiche Tecniche:Versione Strada[SX]
3	AP8166646	Dec.rossa dx-sx "aprilia"	2	Anno:2005[5] Colore veicolo:Nero Aprilia 2005 (s.t. 14833)[black] Specifiche Tecniche:Versione Strada[SX]

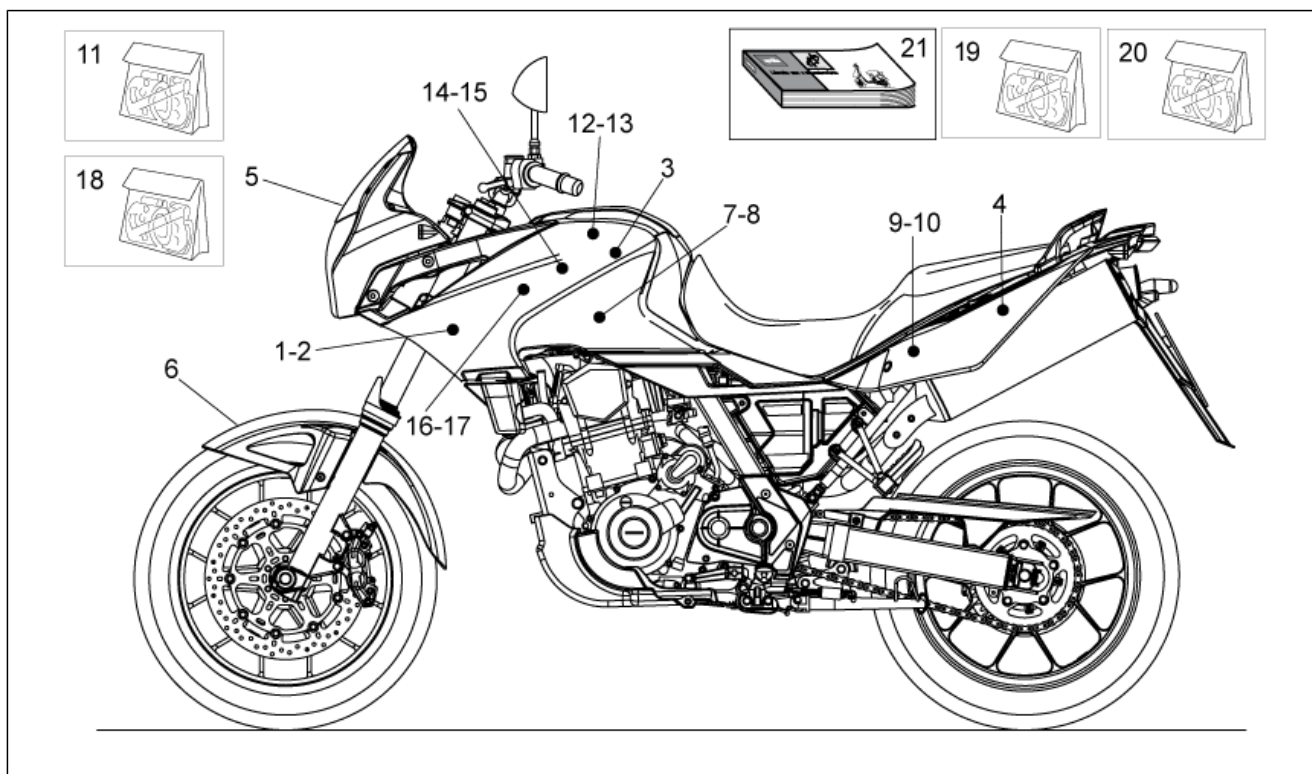


<b>Gruppo</b>	TELAIO
<b>Codice</b>	28.42
<b>Descrizione</b>	Decalco
<b>Revisione</b>	1



Pos.	Codice	Descrizione	Q.ta	Varianti
4	AP8166642	Decalco rossa strada 660	2	Anno:2005[5] Colore veicolo:Sunset Red 2005 (s.t. 14832)[red] Specifiche Tecniche:Versione Strada[SX]
4	AP8166645	Decalco nera strada 660	2	Anno:2005[5] Colore veicolo:Nero Aprilia 2005 (s.t. 14833)[black] Specifiche Tecniche:Versione Strada[SX]
4	AP8166784	Decalco nera trail 660	2	Anno:2006[6], 2007[7] Colore veicolo:Grigio Titan 2006 (s.t. 15063)[grey], Rosso Shine 2007 (s.t.852821)[shine] Specifiche Tecniche:Versione Enduro Trail[RX]
5	853318	Decalco cupolino	1	Anno:2008[8] Colore veicolo:Rosso Fluo 2008 (s.t.858324)[fluo] Specifiche Tecniche:Versione Enduro Trail[RX]
5	853318	Decalco cupolino	1	Anno:2007[7] Colore veicolo:Nero Aprilia 2007 (s.t.853296)[nero] Specifiche Tecniche:Versione Factory[Fac]
5	854519	Decalco cupolino	1	Anno:2008[8] Colore veicolo:Nero Aprilia 2008 (s.t. 858323)[a.bl] Specifiche Tecniche:Versione Enduro Trail[RX]
5	854519	Decalco cupolino	1	Anno:2007[7] Colore veicolo:Grigio Platinum 2007 (s.t. 853409)[plat], Giallo Brio 2007 (s.t.854557)[yel] Specifiche Tecniche:Versione Strada[SX]
5	AP8166644	Decalco cupolino "aprilia"	1	Anno:2005[5] Colore veicolo:Nero Aprilia 2005 (s.t. 14833)[black], Sunset Red 2005 (s.t. 14832)[red] Specifiche Tecniche:Versione Strada[SX]
5	AP8166785	Decalco cupolino "aprilia"	1	Anno:2006[6], 2007[7] Colore veicolo:Grigio Titan 2006 (s.t. 15063)[grey], Rosso Shine 2007 (s.t.852821)[shine] Specifiche Tecniche:Versione Enduro Trail[RX]
6	853413	Decalco parafango ant. Racing	1	Anno:2007[7] Colore veicolo:Nero Aprilia 2007 (s.t.853296)[nero] Specifiche Tecniche:Versione Factory[Fac]

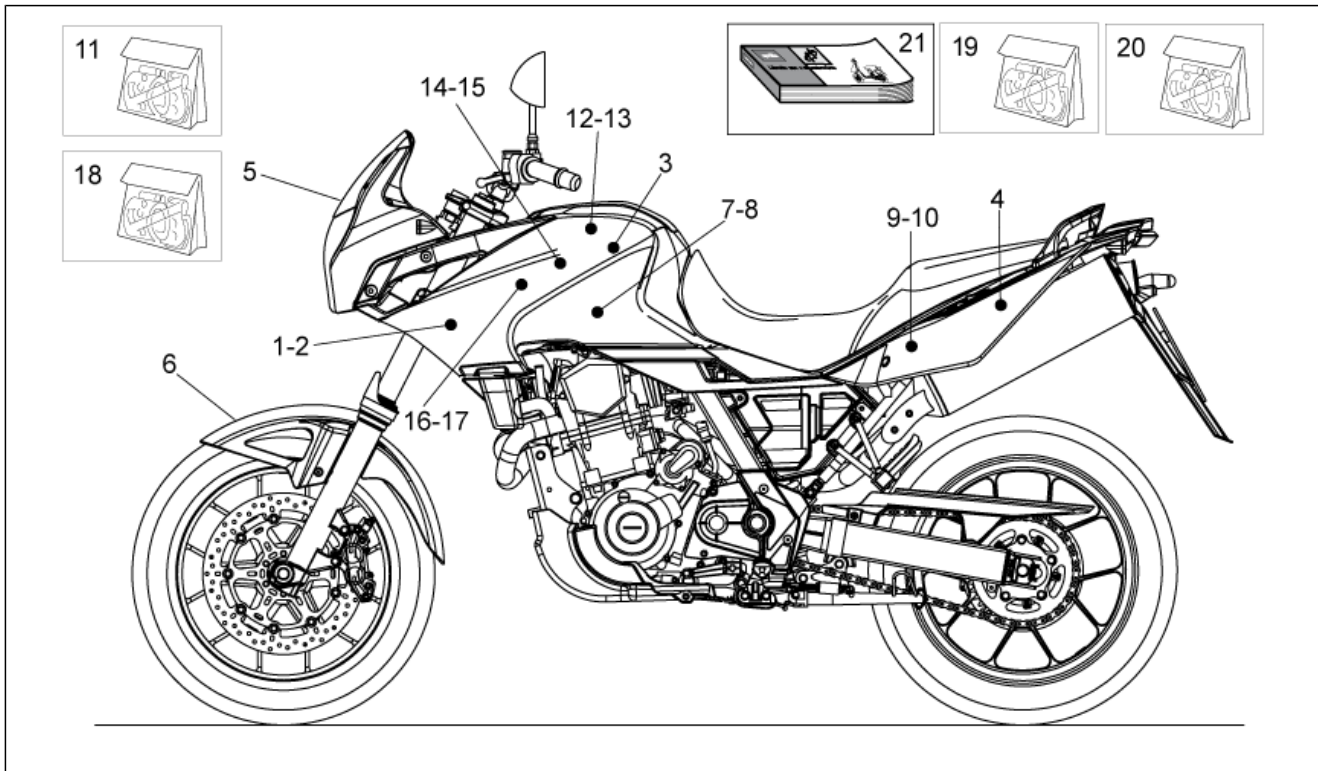
<b>Gruppo</b>	TELAIO
<b>Codice</b>	28.42
<b>Descrizione</b>	Decalco
<b>Revisione</b>	1



Pos.	Codice	Descrizione	Q.ta	Varianti
7	853314	Decalco serbatoio inf.dx	1	<b>Anno:</b> 2007[7] <b>Colore veicolo:</b> Nero Aprilia 2007 (s.t.853296)[nero], Grigio Platinum 2007 (s.t. 853409)[plat], Giallo Brio 2007 (s.t.854557)[yel] <b>Specifiche Tecniche:</b> Versione Factory[Fac], Versione Strada[SX]
7	853314	Decalco serbatoio inf.dx	1	<b>Anno:</b> 2008[8] <b>Colore veicolo:</b> Nero Aprilia 2008 (s.t. 858323)[a.bl] <b>Specifiche Tecniche:</b> Versione Enduro Trail[RX]
7	AP8166782	Decalco serbatoio dx Lion	1	<b>Anno:</b> 2006[6], 2007[7] <b>Colore veicolo:</b> Grigio Titan 2006 (s.t. 15063)[grey], Rosso Shine 2007 (s.t.852821)[shine] <b>Specifiche Tecniche:</b> Versione Enduro Trail[RX]
8	853315	Decalco serbatoio inf.sx	1	<b>Anno:</b> 2007[7] <b>Colore veicolo:</b> Nero Aprilia 2007 (s.t.853296)[nero], Grigio Platinum 2007 (s.t. 853409)[plat], Giallo Brio 2007 (s.t.854557)[yel] <b>Specifiche Tecniche:</b> Versione Factory[Fac], Versione Strada[SX]
8	853315	Decalco serbatoio inf.sx	1	<b>Anno:</b> 2008[8] <b>Colore veicolo:</b> Nero Aprilia 2008 (s.t. 858323)[a.bl] <b>Specifiche Tecniche:</b> Versione Enduro Trail[RX]
8	AP8166783	Decalco serbatoio sx Lion	1	<b>Anno:</b> 2006[6], 2007[7] <b>Colore veicolo:</b> Grigio Titan 2006 (s.t. 15063)[grey], Rosso Shine 2007 (s.t.852821)[shine] <b>Specifiche Tecniche:</b> Versione Enduro Trail[RX]
9	853316	Decalco fiancatina dx	1	<b>Anno:</b> 2007[7] <b>Colore veicolo:</b> Nero Aprilia 2007 (s.t.853296)[nero] <b>Specifiche Tecniche:</b> Versione Factory[Fac]
9	854505	Decalco fiancatina dx	1	<b>Anno:</b> 2007[7] <b>Colore veicolo:</b> Giallo Brio 2007 (s.t.854557)[yel] <b>Specifiche Tecniche:</b> Versione Strada[SX]
9	854517	Decalco fiancatina dx	1	<b>Anno:</b> 2007[7] <b>Colore veicolo:</b> Grigio Platinum 2007 (s.t. 853409)[plat] <b>Specifiche Tecniche:</b> Versione Strada[SX]

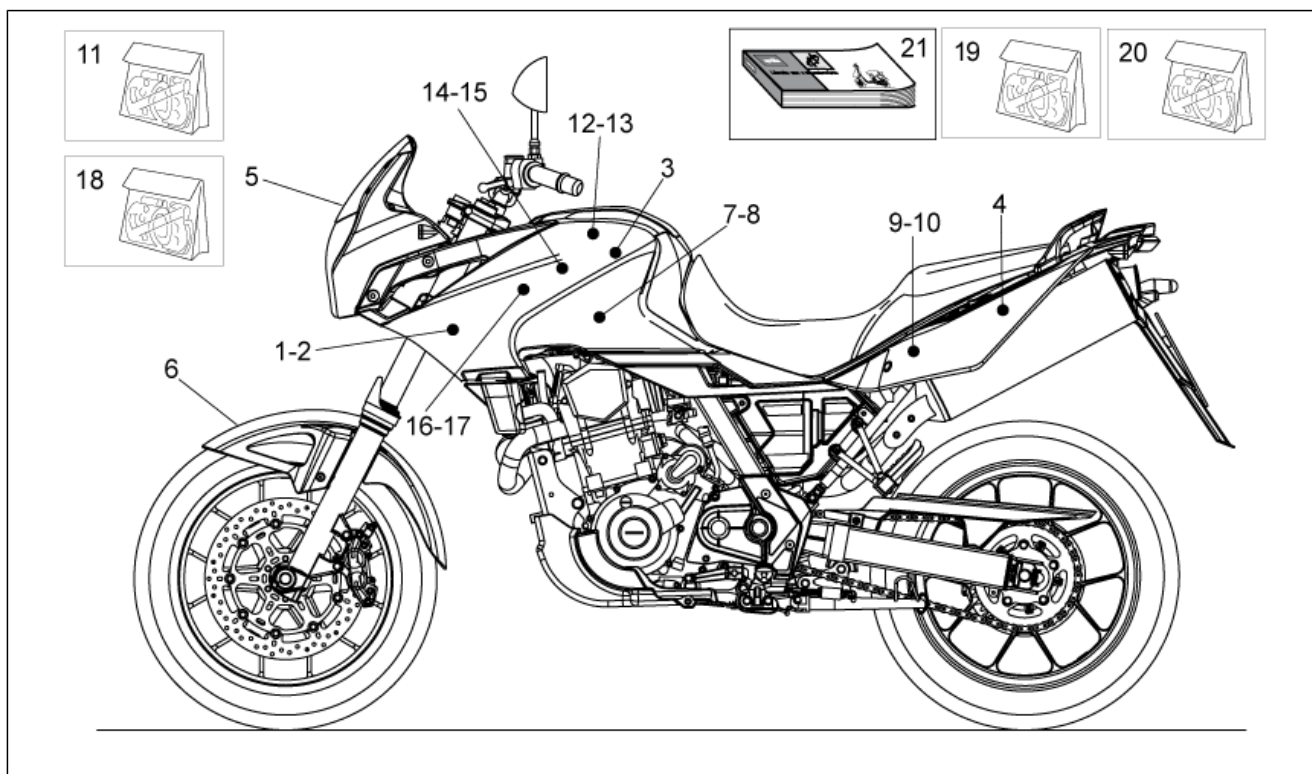


<b>Gruppo</b>	TELAIO
<b>Codice</b>	28.42
<b>Descrizione</b>	Decalco
<b>Revisione</b>	1



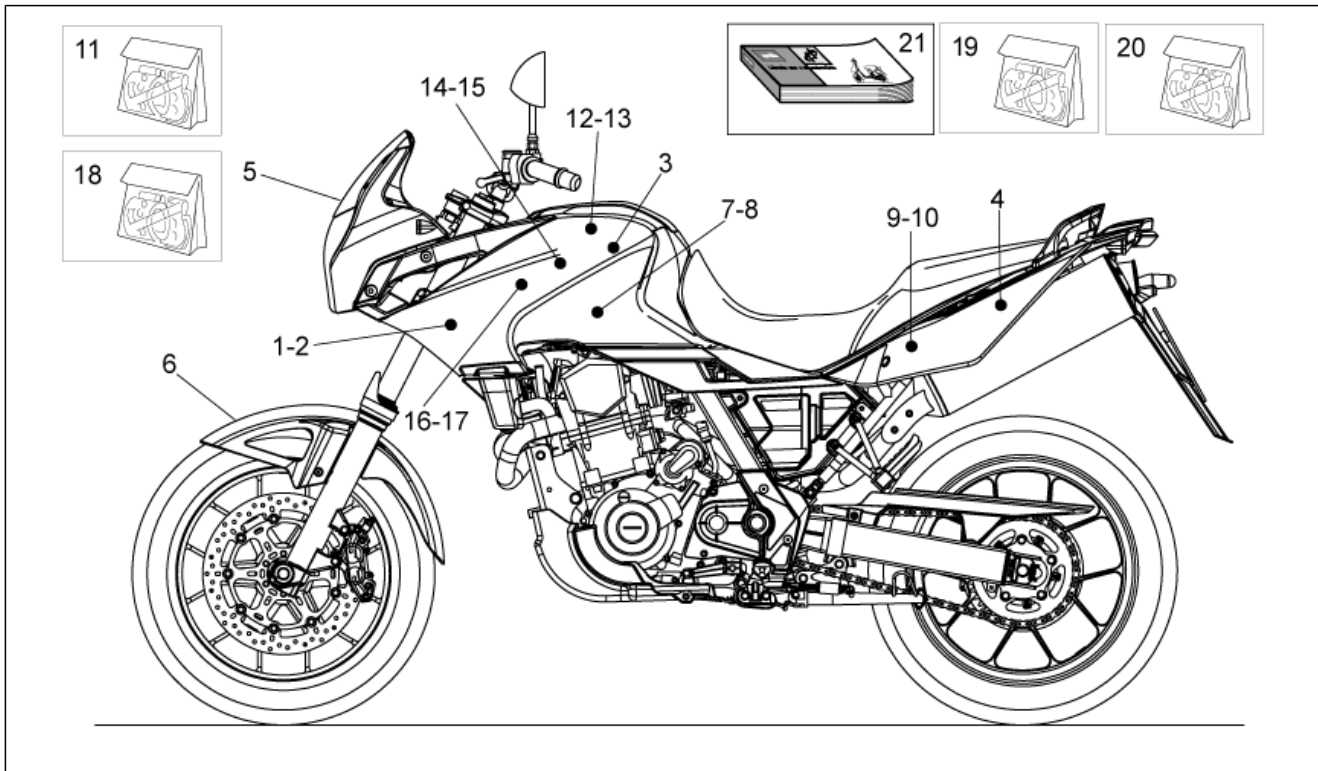
Pos.	Codice	Descrizione	Q.ta	Varianti
9	858355	Decalco fiancatina dx	1	Anno:2008[8] Colore veicolo:Nero Aprilia 2008 (s.t. 858323)[a.bl] Specifiche Tecniche:Versione Enduro Trail[RX]
9	858365	Decalco fiancatina dx	1	Anno:2008[8] Colore veicolo:Rosso Fluo 2008 (s.t.858324)[fluo] Specifiche Tecniche:Versione Enduro Trail[RX]
10	853317	Decalco fiancatina sx	1	Anno:2007[7] Colore veicolo:Nero Aprilia 2007 (s.t.853296)[nero] Specifiche Tecniche:Versione Factory[Fac]
10	854506	Decalco fiancatina sx	1	Anno:2007[7] Colore veicolo:Giallo Brio 2007 (s.t.854557)[yel] Specifiche Tecniche:Versione Strada[SX]
10	854518	Decalco fiancatina sx	1	Anno:2007[7] Colore veicolo:Grigio Platinum 2007 (s.t. 853409)[plat] Specifiche Tecniche:Versione Strada[SX]
10	858356	Decalco fiancatina sx	1	Anno:2008[8] Colore veicolo:Nero Aprilia 2008 (s.t. 858323)[a.bl] Specifiche Tecniche:Versione Enduro Trail[RX]
10	858366	Decalco fiancatina sx	1	Anno:2008[8] Colore veicolo:Rosso Fluo 2008 (s.t.858324)[fluo] Specifiche Tecniche:Versione Enduro Trail[RX]
11	AP8166478	Decalco-serie tecniche	1	Anno:2006[6]
12	853306	Decalco dx Aprilia Aprilia	1	Anno:2007[7] Colore veicolo:Nero Aprilia 2007 (s.t.853296)[nero] Specifiche Tecniche:Versione Factory[Fac]
12	854515	Decalco dx Aprilia	1	Anno:2007[7] Colore veicolo:Grigio Platinum 2007 (s.t. 853409)[plat] Specifiche Tecniche:Versione Strada[SX]
12	858357	Decalco dx Aprilia	1	Anno:2008[8] Colore veicolo:Rosso Fluo 2008 (s.t.858324)[fluo] Specifiche Tecniche:Versione Enduro Trail[RX]
13	853307	Decalco sx Aprilia	1	Anno:2007[7] Colore veicolo:Nero Aprilia 2007 (s.t.853296)[nero] Specifiche Tecniche:Versione Factory[Fac]

<b>Gruppo</b>	TELAIO
<b>Codice</b>	28.42
<b>Descrizione</b>	Decalco
<b>Revisione</b>	1



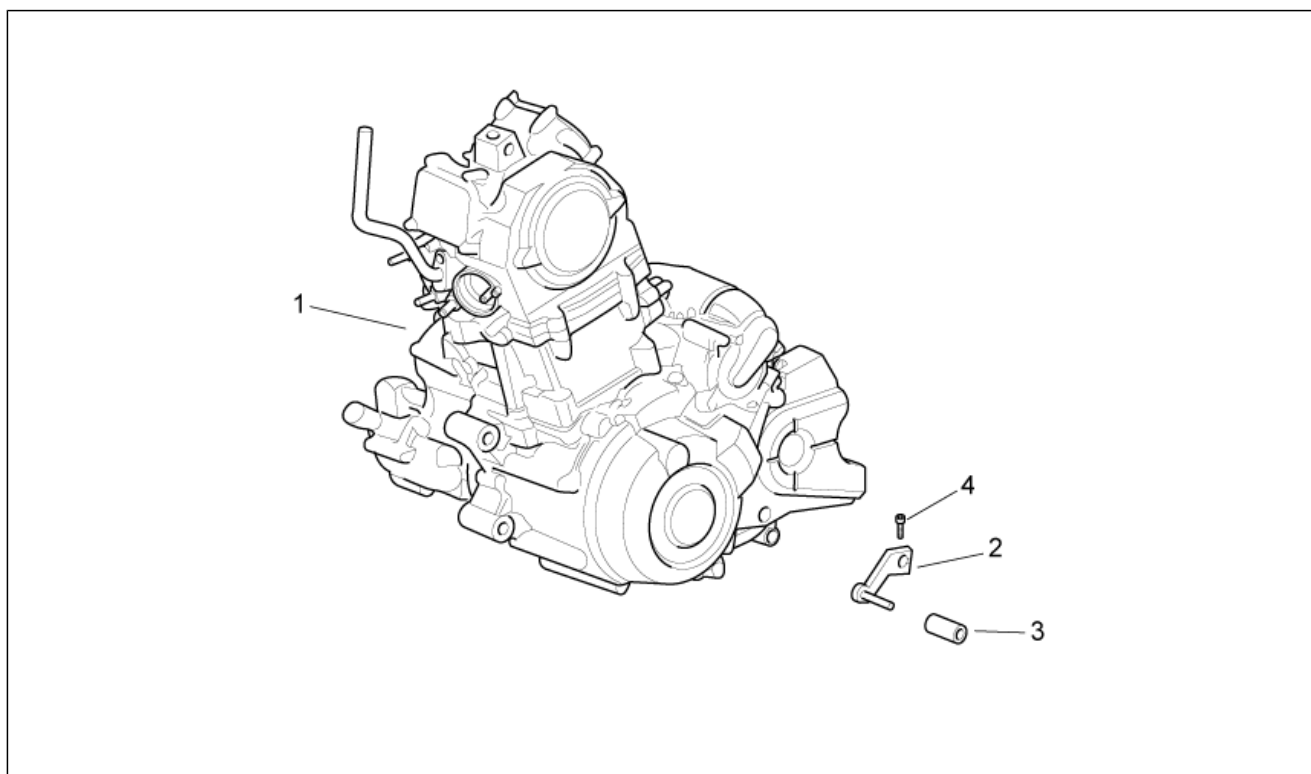
Pos.	Codice	Descrizione	Q.ta	Varianti
13	854516	Decalco sx Aprilia	1	Anno:2007[7] Colore veicolo:Grigio Platinum 2007 (s.t. 853409)[plat] Specifiche Tecniche:Versione Strada[SX]
13	858358	Decalco sx Aprilia	1	Anno:2008[8] Colore veicolo:Rosso Fluo 2008 (s.t.858324)[fluo] Specifiche Tecniche:Versione Enduro Trail[RX]
14	853308	Decalco criniera sup.dx	1	Anno:2007[7] Colore veicolo:Nero Aprilia 2007 (s.t.853296)[nero], Grigio Platinum 2007 (s.t. 853409)[plat] Specifiche Tecniche:Versione Factory[Fac], Versione Strada[SX]
14	858351	Decalco criniera sup.dx	1	Anno:2008[8] Colore veicolo:Nero Aprilia 2008 (s.t. 858323)[a.bl] Specifiche Tecniche:Versione Enduro Trail[RX]
14	858359	Decalco criniera sup.dx	1	Anno:2008[8] Colore veicolo:Rosso Fluo 2008 (s.t.858324)[fluo] Specifiche Tecniche:Versione Enduro Trail[RX]
15	853309	Decalco criniera sup.sx	1	Anno:2007[7] Colore veicolo:Nero Aprilia 2007 (s.t.853296)[nero], Grigio Platinum 2007 (s.t. 853409)[plat] Specifiche Tecniche:Versione Factory[Fac], Versione Strada[SX]
15	858352	Decalco criniera sup.sx	1	Anno:2008[8] Colore veicolo:Nero Aprilia 2008 (s.t. 858323)[a.bl] Specifiche Tecniche:Versione Enduro Trail[RX]
15	858360	Decalco criniera sup.sx	1	Anno:2008[8] Colore veicolo:Rosso Fluo 2008 (s.t.858324)[fluo] Specifiche Tecniche:Versione Enduro Trail[RX]
16	853310	Decalco criniera inf.dx	1	Anno:2007[7] Colore veicolo:Nero Aprilia 2007 (s.t.853296)[nero], Grigio Platinum 2007 (s.t. 853409)[plat] Specifiche Tecniche:Versione Factory[Fac], Versione Strada[SX]
16	858353	Decalco criniera inf.dx	1	Anno:2008[8]

<b>Gruppo</b>	TELAIO
<b>Codice</b>	28.42
<b>Descrizione</b>	Decalco
<b>Revisione</b>	1



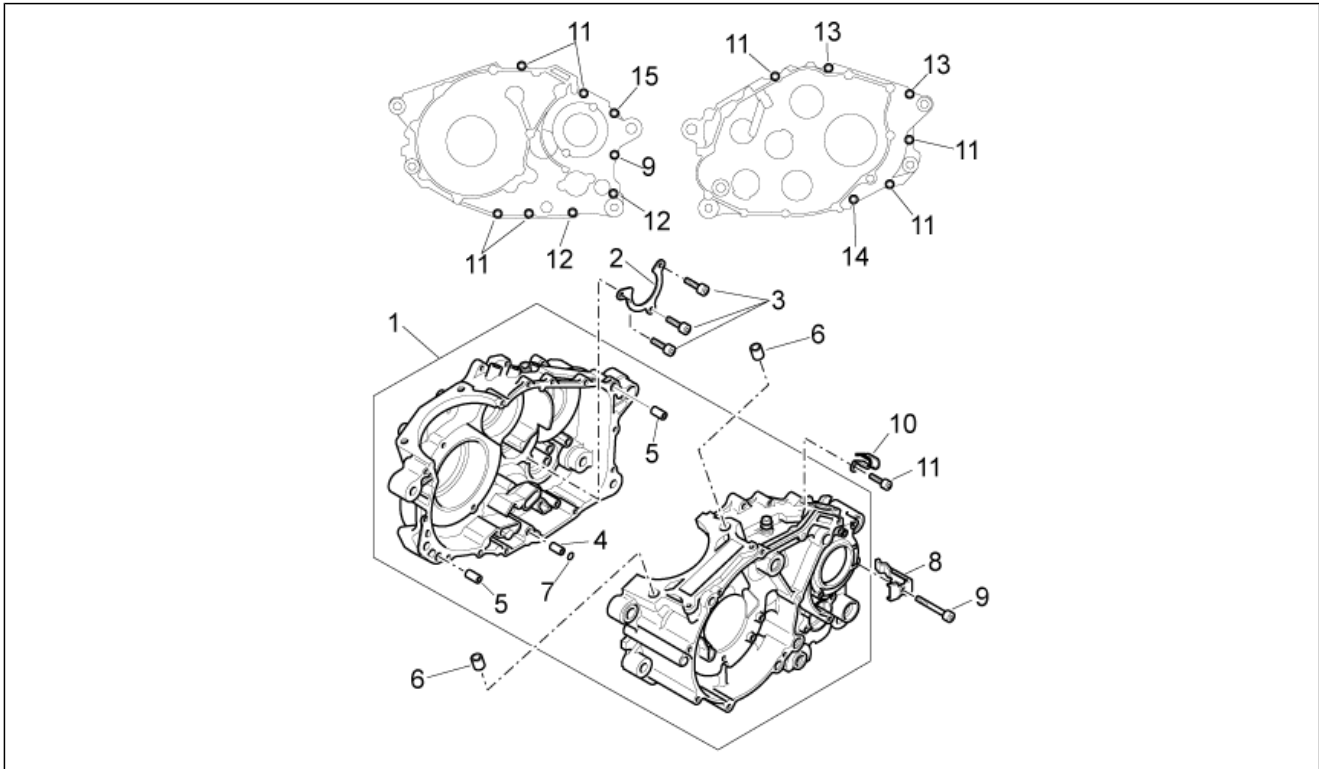
Pos.	Codice	Descrizione	Q.ta	Varianti
				<b>Colore veicolo:</b> Nero Aprilia 2008 (s.t. 858323)[a.bl] <b>Specifiche Tecniche:</b> Versione Enduro Trail[RX]
16	858361	Decalco criniera inf.dx	1	<b>Anno:</b> 2008[8] <b>Colore veicolo:</b> Rosso Fluo 2008 (s.t.858324)[fluo] <b>Specifiche Tecniche:</b> Versione Enduro Trail[RX]
17	853311	Decalco criniera inf.sx	1	<b>Anno:</b> 2007[7] <b>Colore veicolo:</b> Nero Aprilia 2007 (s.t.853296)[nero], Grigio Platinum 2007 (s.t. 853409)[plat] <b>Specifiche Tecniche:</b> Versione Factory[Fac], Versione Strada[SX]
17	858354	Decalco criniera inf.sx	1	<b>Anno:</b> 2008[8] <b>Colore veicolo:</b> Nero Aprilia 2008 (s.t. 858323)[a.bl] <b>Specifiche Tecniche:</b> Versione Enduro Trail[RX]
17	858362	Decalco criniera inf.sx	1	<b>Anno:</b> 2008[8] <b>Colore veicolo:</b> Rosso Fluo 2008 (s.t.858324)[fluo] <b>Specifiche Tecniche:</b> Versione Enduro Trail[RX]
18	890833	Decalco-serie	1	<b>Anno:</b> 2009[9] <b>Colore veicolo:</b> Nero Grafite 2009 (s.t. 890832)[gra]
19	893529	Decalco-serie	1	<b>Anno:</b> 2009[9] <b>Colore veicolo:</b> Bianco Aprilia 2009 (s.t. 893528)[bia]
20	893080	Decalco-serie	1	<b>Anno:</b> 2009[9] <b>Colore veicolo:</b> Nero Aprilia 2009 (s.t. 893079)[bl09] <b>Specifiche Tecniche:</b> Versione Factory[Fac]
21	854001	Libretto uso/manut. I-F-D-E	1	
21	854002	Libretto uso/manut. UK-NL-GR-DK-SF-F	1	
21	854003	Libretto uso/manut. J-UK	1	

<b>Gruppo</b>	MOTORE
<b>Codice</b>	29.43
<b>Descrizione</b>	Motore
<b>Revisione</b>	1



Pos.	Codice	Descrizione	Q.ta	Varianti
1	AP8176110	Motore	1	<b>Specifiche Tecniche:</b> Omologazione Euro2 (telaio ZD4VD0)[VD0], Omologazione Euro2 (telaio ZD4VDA)[VDA]
1	AP8176228	Motore	1	<b>Specifiche Tecniche:</b> Omologazione Euro3 (telaio ZD4VDB)[VDB], Omologazione Euro3 (telaio ZD4VDD)[VDD], Omologazione Euro3 (telaio ZD4VDE)[VDE]
2	AP8146931	Leva cambio	1	
3	AP8220189	Gommino	1	
4	AP8150044	Vite TCEI M6x20	1	

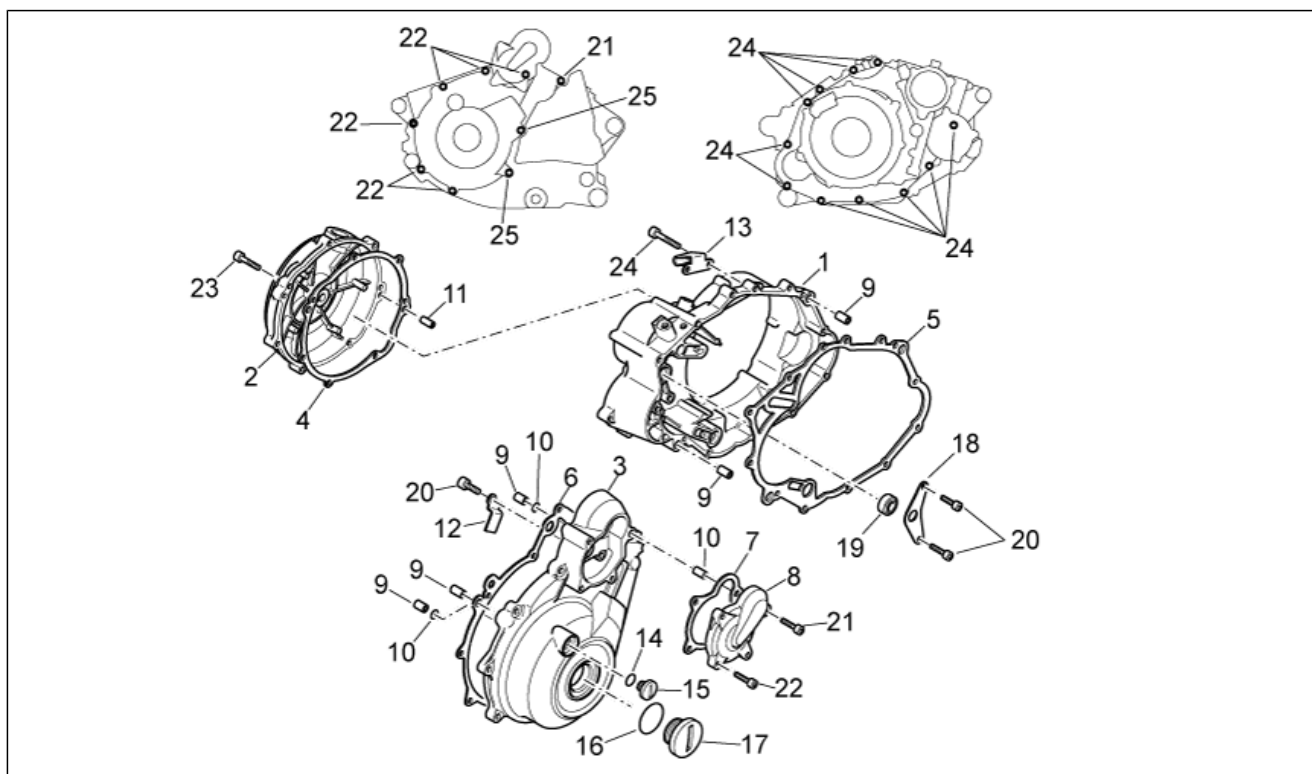
<b>Gruppo</b>	MOTORE
<b>Codice</b>	29.44
<b>Descrizione</b>	Carter motore I
<b>Revisione</b>	1



Pos.	Codice	Descrizione	Q.ta	Varianti
1	AP8520020	Coppia carter	1	
2	AP8520168	Piastrina ritegno cuscinetto	1	
3	AP8520256	Vite TCCE M6x16	3	
4	AP8520121	Grano di riferimento D6,4x8x16	1	
5	AP8206169	Spina carter D12x16	2	
6	AP8122556	Spina D10,5x14x16	2	
7	AP8520279	Anello tenuta D6,9x2,4	1	
8	AP8520261	Fascetta di supporto	1	
9	AP8520243	Vite TCCE M6x80	1	
10	AP8520260	Fascetta di supporto	1	
11	AP8520231	Vite TCCE M6x30	7	
12	AP8520198	Vite TCCE M6x55	2	
13	AP8520196	Vite TCCE M6x45	2	
14	AP8520242	Vite TCCE M6x60	1	
15	AP8520244	Vite TCCE M6x90	1	

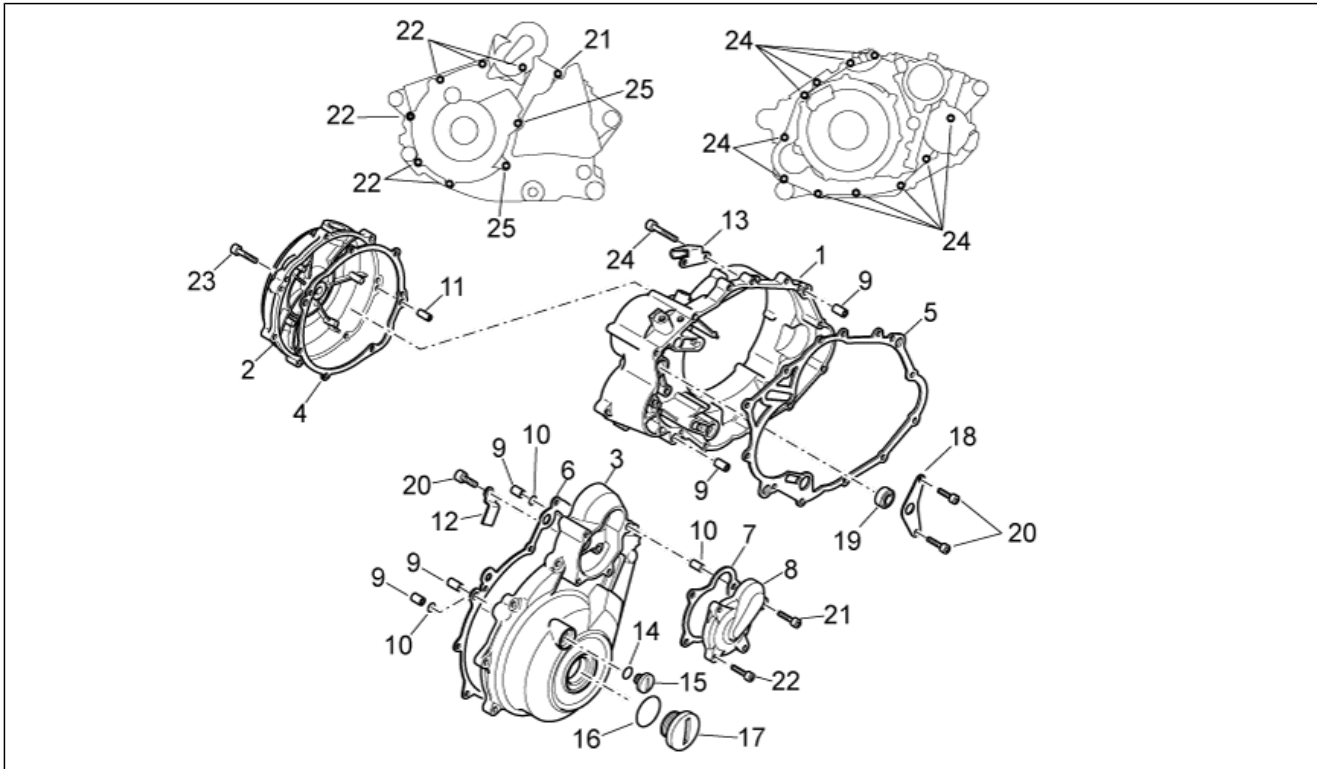


<b>Gruppo</b>	MOTORE
<b>Codice</b>	29.45
<b>Descrizione</b>	Carter motore II
<b>Revisione</b>	1



Pos.	Codice	Descrizione	Q.ta	Varianti
1	AP8520010	Coperchio frizione cpl.	1	
2	853329	Coperchio lato frizione	1	<b>Specifiche Tecniche:</b> Omologazione Euro3 (telaio ZD4VDB) [VDB], Omologazione Euro3 (telaio ZD4VDD)[VDD], Omologazione Euro3 (telaio ZD4VDE)[VDE]
2	AP8520034	Coperchio lato frizione	1	<b>Specifiche Tecniche:</b> Omologazione Euro2 (telaio ZD4VD0) [VD0], Omologazione Euro2 (telaio ZD4VDA)[VDA]
3	AP8520011	Coperchio lato volano cpl.	1	
4	AP8520105	Guarnizione coperchio	1	
5	AP8520106	Guarnizione carter frizione	1	
6	AP8520108	Guarnizione coperchio volano	1	
7	AP8520283	Guarnizione coperchio m/m	1	
8	853331	Coperchio m/m	1	<b>Specifiche Tecniche:</b> Omologazione Euro3 (telaio ZD4VDB) [VDB], Omologazione Euro3 (telaio ZD4VDD)[VDD], Omologazione Euro3 (telaio ZD4VDE)[VDE]
8	AP8520036	Coperchio m/m	1	<b>Specifiche Tecniche:</b> Omologazione Euro2 (telaio ZD4VD0) [VD0], Omologazione Euro2 (telaio ZD4VDA)[VDA]
9	AP8206169	Spina carter D12x16	6	
10	AP8520277	Anello tenuta D12,6x2,5	2	
11	AP8520121	Grano di riferimento D6,4x8x16	3	
12	AP8520171	Piastrina ritegno	1	
13	AP8520169	Piastrina supporto cavo	1	
14	AP8520269	Anello tenuta D13,5x2,2	1	
15	853334	Tappo	1	<b>Specifiche Tecniche:</b> Omologazione Euro3 (telaio ZD4VDB) [VDB], Omologazione Euro3 (telaio ZD4VDD)[VDD], Omologazione Euro3 (telaio ZD4VDE)[VDE]
15	AP8520039	Tappo	1	<b>Specifiche Tecniche:</b> Omologazione Euro2 (telaio ZD4VD0) [VD0], Omologazione Euro2 (telaio ZD4VDA)[VDA]
16	AP8520281	Anello tenuta D34,6x2,5	1	
17	853333	Tappo	1	<b>Specifiche Tecniche:</b> Omologazione Euro3 (telaio ZD4VDB) [VDB], Omologazione Euro3 (telaio ZD4VDD)[VDD], Omologazione Euro3 (telaio ZD4VDE)[VDE]

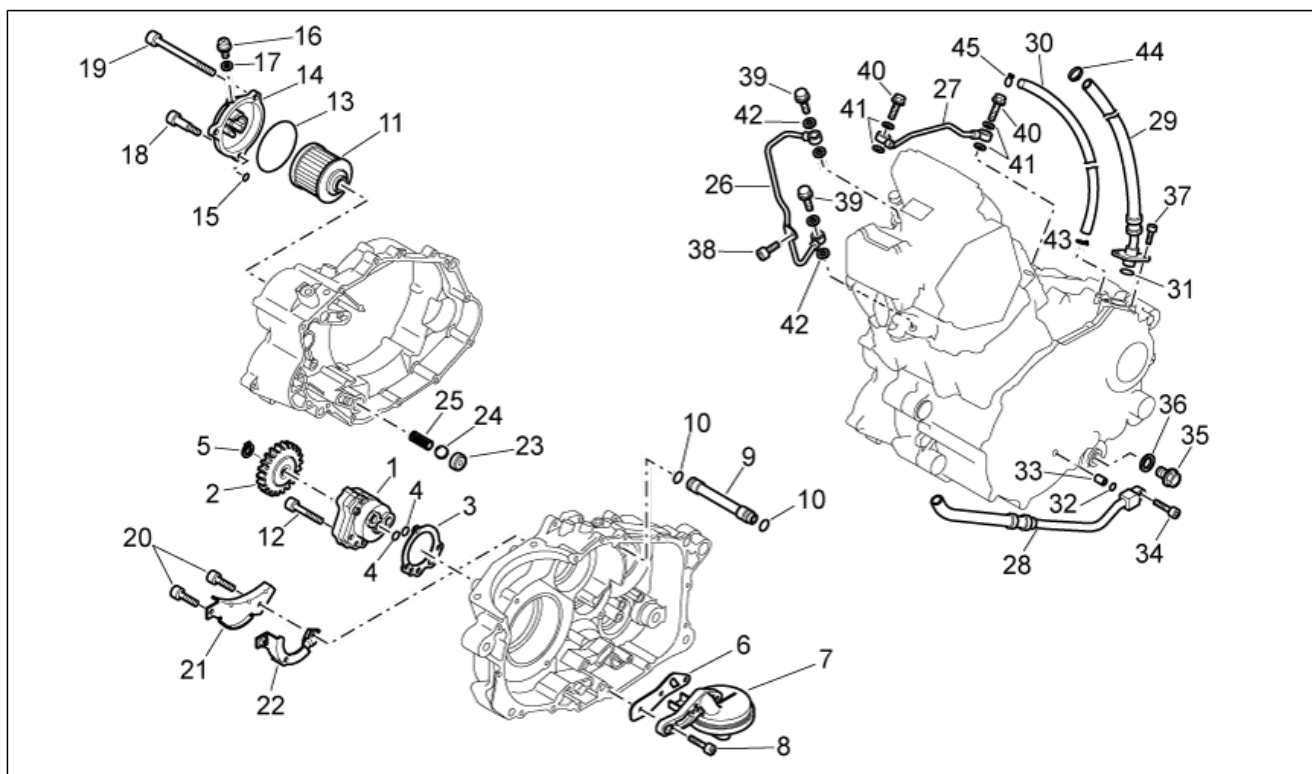
<b>Gruppo</b>	MOTORE
<b>Codice</b>	29.45
<b>Descrizione</b>	Carter motore II
<b>Revisione</b>	1



Pos.	Codice	Descrizione	Q.ta	Varianti
17	AP8520038	Tappo	1	<b>Specifiche Tecniche:</b> Omologazione Euro2 (telaio ZD4VD0) [VD0], Omologazione Euro2 (telaio ZD4VDA)[VDA]
18	AP8520049	Piastrina ritegno	1	
19	AP8520288	Paraolio 14x22x5	1	
20	AP8520245	Vite TCCE	3	
21	AP8520234	Vite TCCE M6x35	1	
22	AP8520255	Vite TCCE M6x25	10	
23	AP8520246	Vite te flang.	7	
24	AP8520231	Vite TCCE M6x30	11	
25	AP8520207	Vite TCCE M6x50	2	

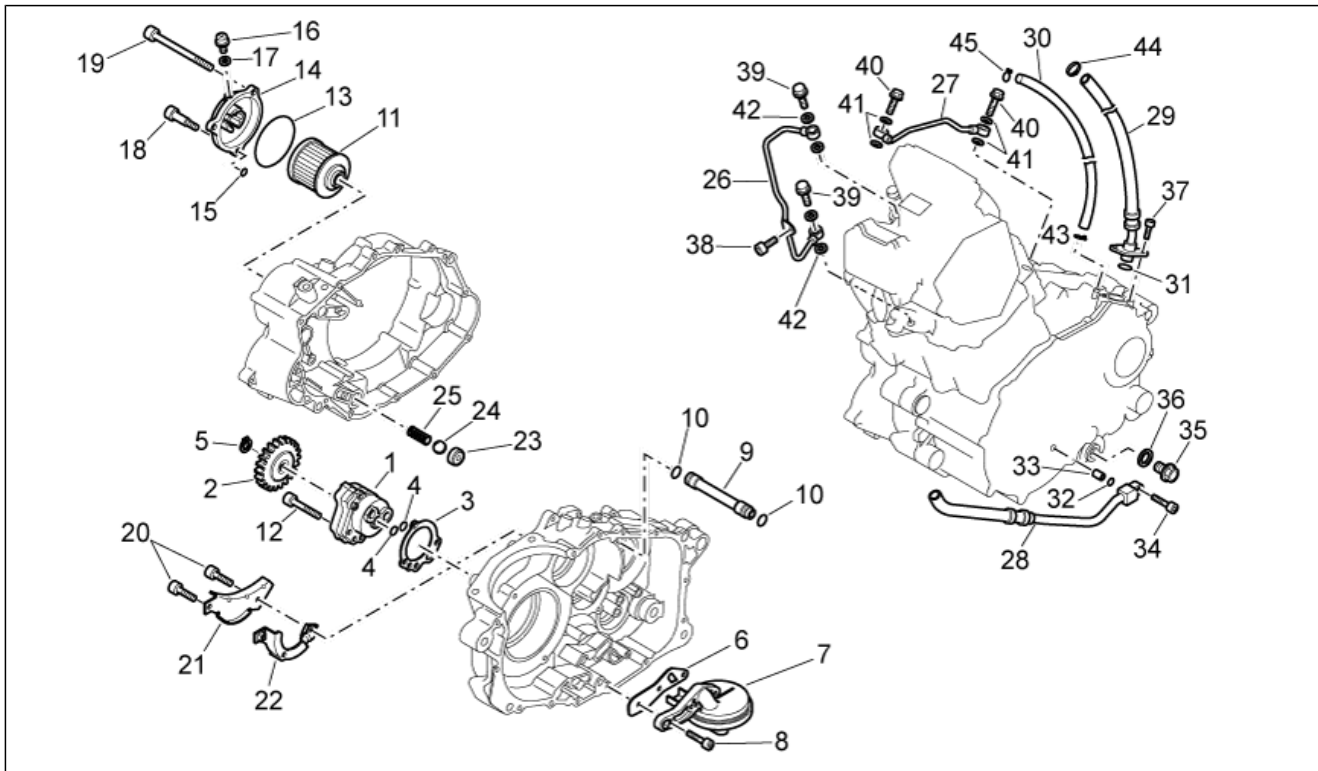


<b>Gruppo</b>	MOTORE
<b>Codice</b>	29.46
<b>Descrizione</b>	Pompa olio
<b>Revisione</b>	1



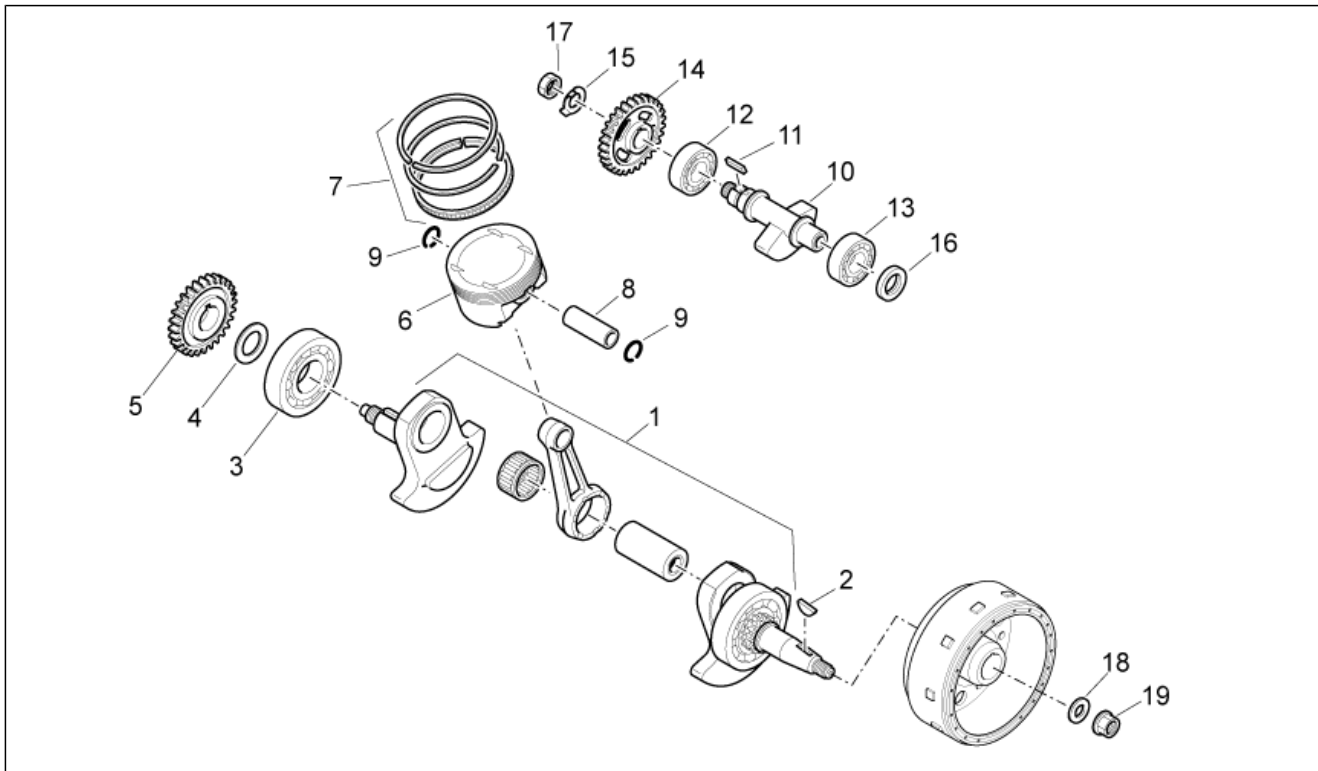
Pos.	Codice	Descrizione	Q.ta	Varianti
1	AP8520016	Pompa olio cpl.	1	
2	AP8520074	Ingran.pompa olio Z=64	1	
3	AP8520110	Guarnizione pompa olio	1	
4	AP8520277	Anello tenuta D12,6x2,5	2	
5	AP8520149	Anello Seeger D11	1	
6	AP8520284	Guarnizione	1	
7	AP8520139	Filtro a rete per aspirazione	1	
8	AP8520232	Vite TCCE M6x20	1	
9	AP8520046	Tubo olio PASSAGGIO OLIO 3	1	
10	AP8520278	Anello tenuta D10,8x2,4	2	
11	AP8520017	Filtro olio	1	
12	AP8520205	Vite TCB	3	
13	AP8520268	Anello tenuta D63,8x3,7	1	
14	853326	Coperchio filtro olio	1	<b>Specifiche Tecniche:</b> Omologazione Euro3 (telaio ZD4VDB)[VDB], Omologazione Euro3 (telaio ZD4VDD)[VDD], Omologazione Euro3 (telaio ZD4VDE)[VDE]
14	AP8520030	Coperchio filtro olio	1	<b>Specifiche Tecniche:</b> Omologazione Euro2 (telaio ZD4VD0)[VD0], Omologazione Euro2 (telaio ZD4VDA)[VDA]
15	AP8520279	Anello tenuta D6,9x2,4	1	
16	AP8520237	Vite te flang.	1	
17	AP8520227	Rosetta di tenuta D5,5x10,3x1	1	
18	AP8520238	Vite TCCE M6x39	1	
19	AP8520239	Vite TCCE	2	
20	AP8520251	Vite TCCE M5x8	2	
21	AP8520035	Piastra protezione pompa	1	
22	AP8520037	Coperchio pompa olio	1	
23	AP8520287	Paraolio 6x15x5,7	1	
24	AP8520101	Sfera D9,53	1	
25	AP8520085	Molla D0,4	1	

<b>Gruppo</b>	MOTORE
<b>Codice</b>	29.46
<b>Descrizione</b>	Pompa olio
<b>Revisione</b>	1



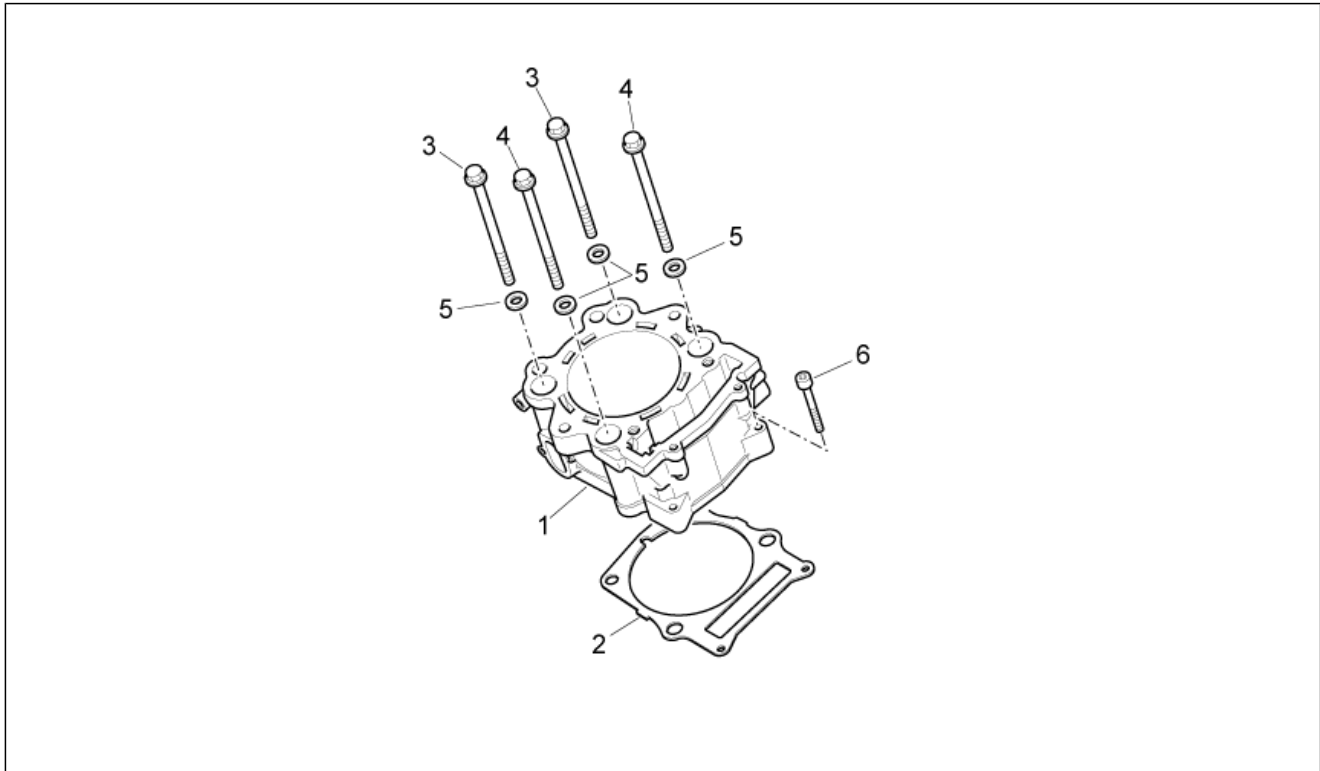
Pos.	Codice	Descrizione	Q.ta	Varianti
26	AP8520045	Tubo olio	1	
27	AP8520043	Tubo olio	1	
28	AP8520165	Tubo entrata olio	1	
29	AP8520166	Tubo uscita olio	1	
30	AP8520160	Tubo D7x11x660	1	
31	AP8122551	Anello OR D14,5x1,9	1	
32	AP8520280	Anello tenuta D9,8x1,9	1	
33	AP8502807	Spina D.10x14-INT.D.8,5	1	
34	AP8520255	Vite TCCE M6x25	1	
35	AP8520202	Vite te flang. M14x1,5	1	
36	AP8520211	Rosetta acciaio D14x19,2x2	1	
37	AP8520256	Vite TCCE M6x16	2	
38	AP8520245	Vite TCCE	1	
39	AP8520241	Vite te flang. M10x1,25x21	2	
40	AP8520240	Vite te flang. M8x1,25x24	2	
41	AP8520228	Rosetta di tenuta D8,2x15x2	4	
42	AP8520229	Rosetta di tenuta D10x16x1,2	4	
43	AP8520262	Fascetta D11	1	
44	AP8102349	Fascetta clic bianca D17,5x8	1	
45	AP8102738	Fascetta stringitubo	1	

<b>Gruppo</b>	MOTORE
<b>Codice</b>	29.47
<b>Descrizione</b>	Albero motore
<b>Revisione</b>	1



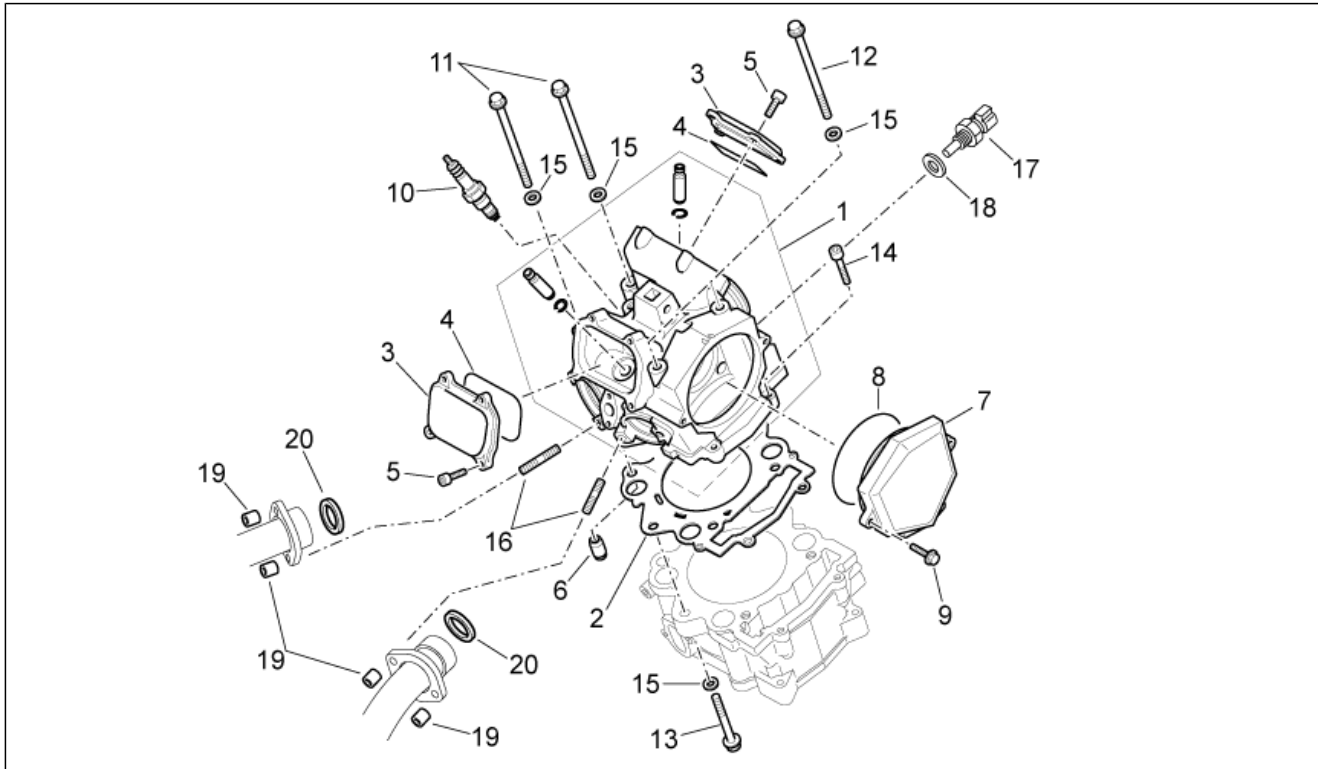
Pos.	Codice	Descrizione	Q.ta	Varianti
1	AP8520013	Imbiellaggio cpl.	1	
2	AP8520175	Chiavetta volano D16x5	1	
3	AP8520264	Cuscinetto D40x90x23	1	
4	AP8520226	Rondella piana D30,2x50x3	1	
5	853340	Ingran.condut.contralbero	1	<b>Specifiche Tecniche:</b> Omologazione Euro3 (telaio ZD4VDB)[VDB], Omologazione Euro3 (telaio ZD4VDD)[VDD], Omologazione Euro3 (telaio ZD4VDE)[VDE]
5	AP8520078	Ingran.condut.contralbero	1	<b>Specifiche Tecniche:</b> Omologazione Euro2 (telaio ZD4VD0)[VD0], Omologazione Euro2 (telaio ZD4VDA)[VDA]
6	AP8520004	Pistone D100	1	
7	AP8520019	Serie segmenti D100	1	
8	AP8520133	Spinotto D23x65	1	
9	AP8520144	Anello di fermo spinotto	2	
10	AP8520026	Contralbero	1	
11	AP8520173	Chiavetta ingr.contralb.	1	
12	AP8520100	Cuscinetto D25x62x17	1	
13	AP8520097	Cuscinetto a sfere D25x62x17	1	
14	853341	Ingran.condot.contralbero	1	<b>Specifiche Tecniche:</b> Omologazione Euro3 (telaio ZD4VDB)[VDB], Omologazione Euro3 (telaio ZD4VDD)[VDD], Omologazione Euro3 (telaio ZD4VDE)[VDE]
14	AP8520079	Ingran.condot.contralbero	1	<b>Specifiche Tecniche:</b> Omologazione Euro2 (telaio ZD4VD0)[VD0], Omologazione Euro2 (telaio ZD4VDA)[VDA]
15	AP8520187	Rosetta di sicurezza 18x31,5x1	1	
16	AP8520286	Paraolio D25x40x3	1	
17	AP8520177	Dado M18x1	1	
18	AP8520210	Rondella piana 16,2x34,5x4	1	
19	AP8520181	Dado flangiato M16x1,5	1	

<b>Gruppo</b>	MOTORE
<b>Codice</b>	29.48
<b>Descrizione</b>	Cilindro
<b>Revisione</b>	1



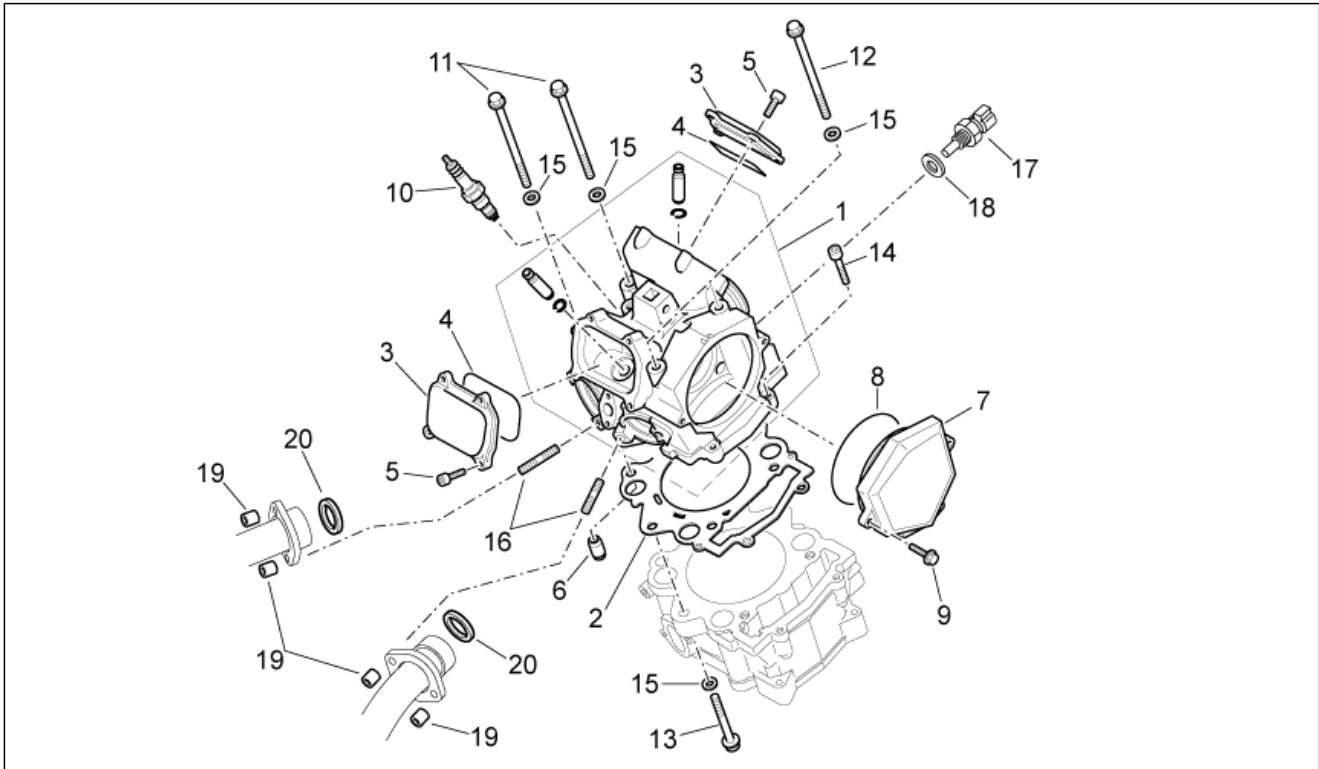
Pos.	Codice	Descrizione	Q.ta	Varianti
1	AP8520002	Cilindro D.100	1	
2	AP8520103	Guarnizione base cilindro	1	
3	AP8520252	Vite te flang. M10x1,25x109	2	
4	AP8520253	Vite te flang. M10x1,25x116	2	
5	AP8520225	Rondella piana 10,5x20x2,3	4	
6	AP8520203	Vite TCCE M6x40	2	

<b>Gruppo</b>	MOTORE
<b>Codice</b>	29.49
<b>Descrizione</b>	Testa cilindro
<b>Revisione</b>	1



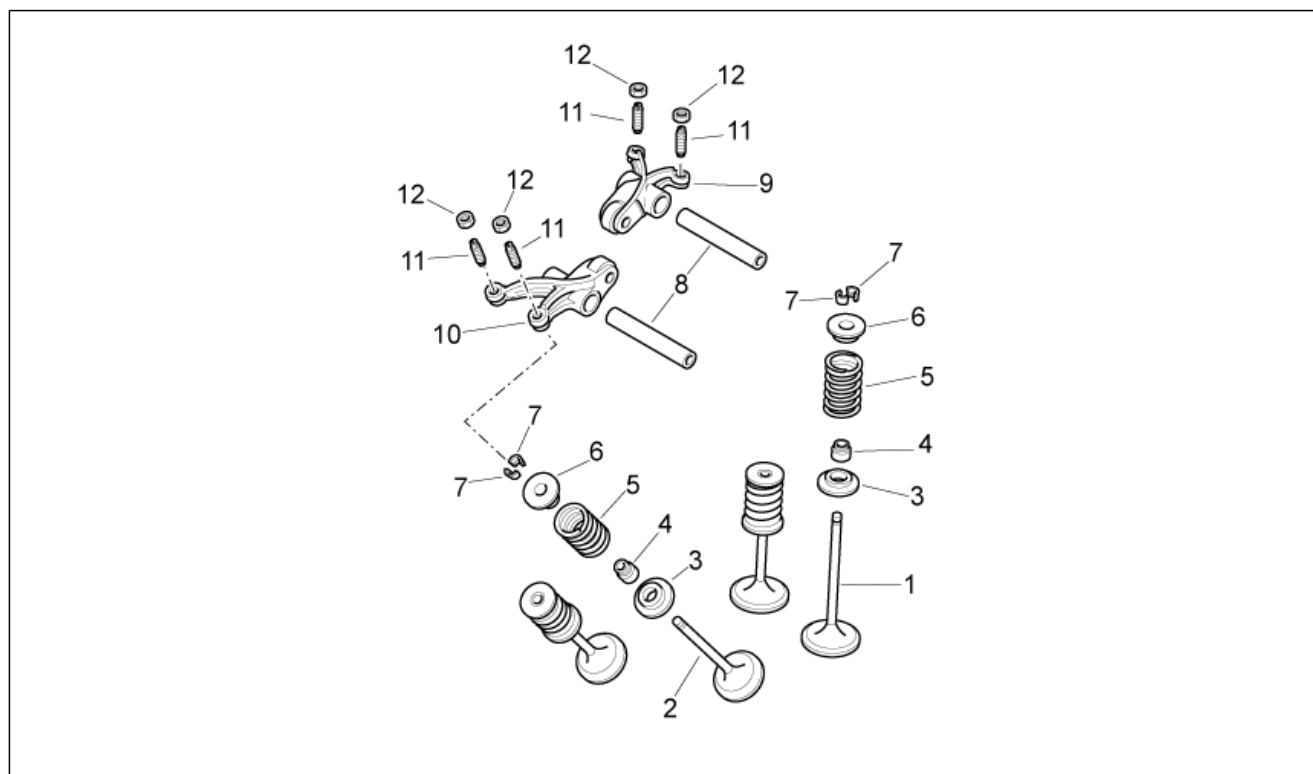
Pos.	Codice	Descrizione	Q.ta	Varianti
1	853320	Testa cilindro cpl.	1	<b>Specifiche Tecniche:</b> Omologazione Euro3 (telaio ZD4VDB)[VDB], Omologazione Euro3 (telaio ZD4VDD)[VDD], Omologazione Euro3 (telaio ZD4VDE)[VDE]
1	AP8520005	Testa cilindro cpl.	1	<b>Specifiche Tecniche:</b> Omologazione Euro2 (telaio ZD4VD0)[VD0], Omologazione Euro2 (telaio ZD4VDA)[VDA]
2	AP8520111	Guarnizione testa SP.0,65	1	
3	853327	Coperchio valvole	2	<b>Specifiche Tecniche:</b> Omologazione Euro3 (telaio ZD4VDB)[VDB], Omologazione Euro3 (telaio ZD4VDD)[VDD], Omologazione Euro3 (telaio ZD4VDE)[VDE]
3	AP8520032	Coperchio valvole	2	<b>Specifiche Tecniche:</b> Omologazione Euro2 (telaio ZD4VD0)[VD0], Omologazione Euro2 (telaio ZD4VDA)[VDA]
4	AP8520270	Anello tenuta D78x2,9	2	
5	AP8520204	Vite TCCE	8	
6	AP8520122	Grano D10,3x12x16	2	
7	853328	Coperchio lat.testa	1	<b>Specifiche Tecniche:</b> Omologazione Euro3 (telaio ZD4VDB)[VDB], Omologazione Euro3 (telaio ZD4VDD)[VDD], Omologazione Euro3 (telaio ZD4VDE)[VDE]
7	AP8520033	Coperchio lat.testa	1	<b>Specifiche Tecniche:</b> Omologazione Euro2 (telaio ZD4VD0)[VD0], Omologazione Euro2 (telaio ZD4VDA)[VDA]
8	AP8520271	Anello tenuta D95,5x3,2	1	
9	AP8122405	Vite TE flangiata M6x20	2	
10	AP8520007	Candela NGK CR7E	1	
11	AP8520250	Vite te flang. M9x1,25x135	2	
12	AP8520235	Vite te flang. M9x1,25x145	2	
13	AP8520247	Vite te flang. M9x1,25x39	2	
14	AP8520231	Vite TCCE M6x30	2	
15	AP8520224	Rondella piana D9,6x19x2	6	
16	AP8520183	Prigioniero M8x34	4	
17	AP8520151	Sensore temperatura H2O	1	
18	AP8520113	Rosetta in rame D12,5X19X1	1	

<b>Gruppo</b>	MOTORE
<b>Codice</b>	29.49
<b>Descrizione</b>	Testa cilindro
<b>Revisione</b>	1



Pos.	Codice	Descrizione	Q.ta	Varianti
19	AP8520180	Dado M8x1,25H15	4	
20	AP8520112	Guarnizione scarico	2	

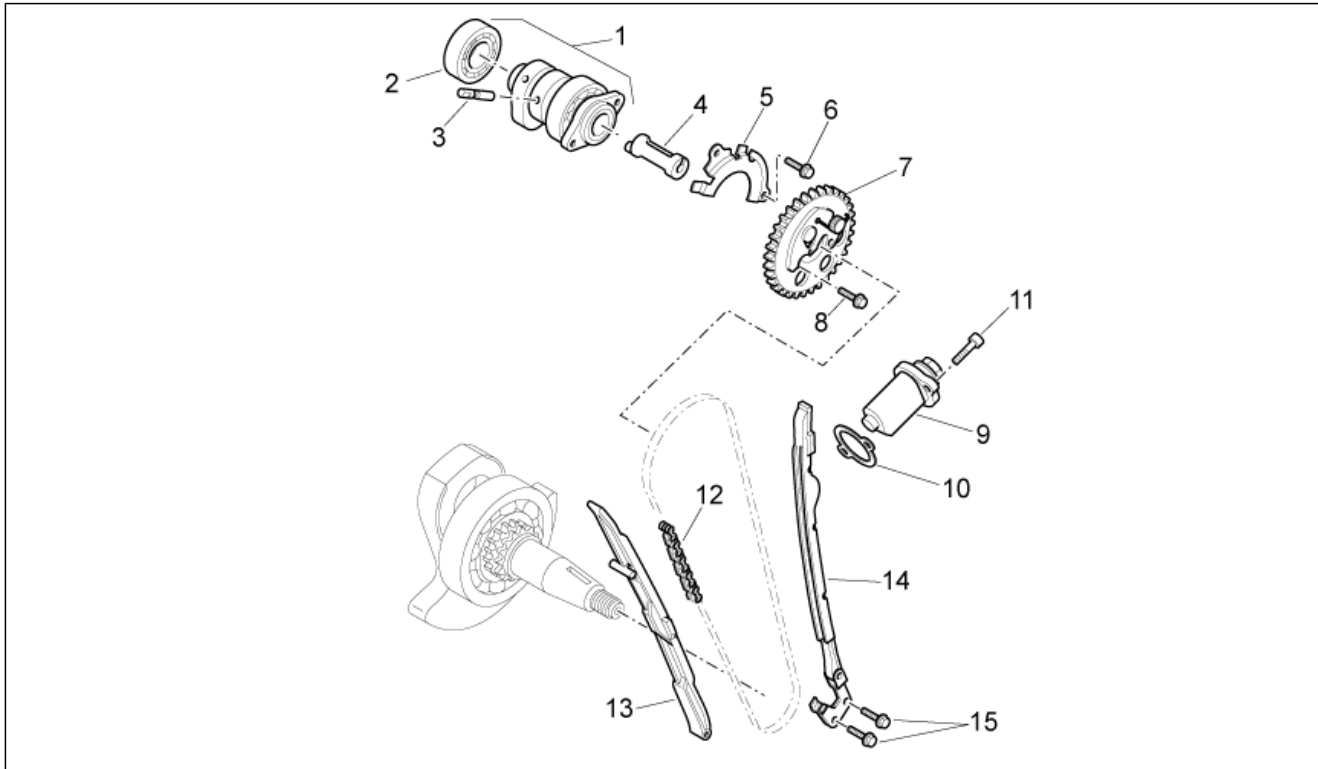
<b>Gruppo</b>	MOTORE
<b>Codice</b>	29.50
<b>Descrizione</b>	Valvole
<b>Revisione</b>	1



Pos.	Codice	Descrizione	Q.ta	Varianti
1	AP8520137	Valvola aspirazione D38	2	
2	AP8520136	Valvola scarico D32	2	
3	AP8520051	Scodellino inf.	4	
4	AP8122606	Paraolio guida valvola 6x12X9	4	
5	AP8520081	Molla valvola	4	
6	AP8520052	Scodellino sup.	4	
7	AP8122458	Semicono valvola	8	
8	AP8520119	Perno bilanciere	2	
9	AP8520142	Bilanciere aspirazione	1	
10	AP8520143	Bilanciere scarico	1	
11	AP8520199	Vite speciale regolaz.valvole	4	
12	AP8122528	Dado M6x0,75 Ch=10	4	

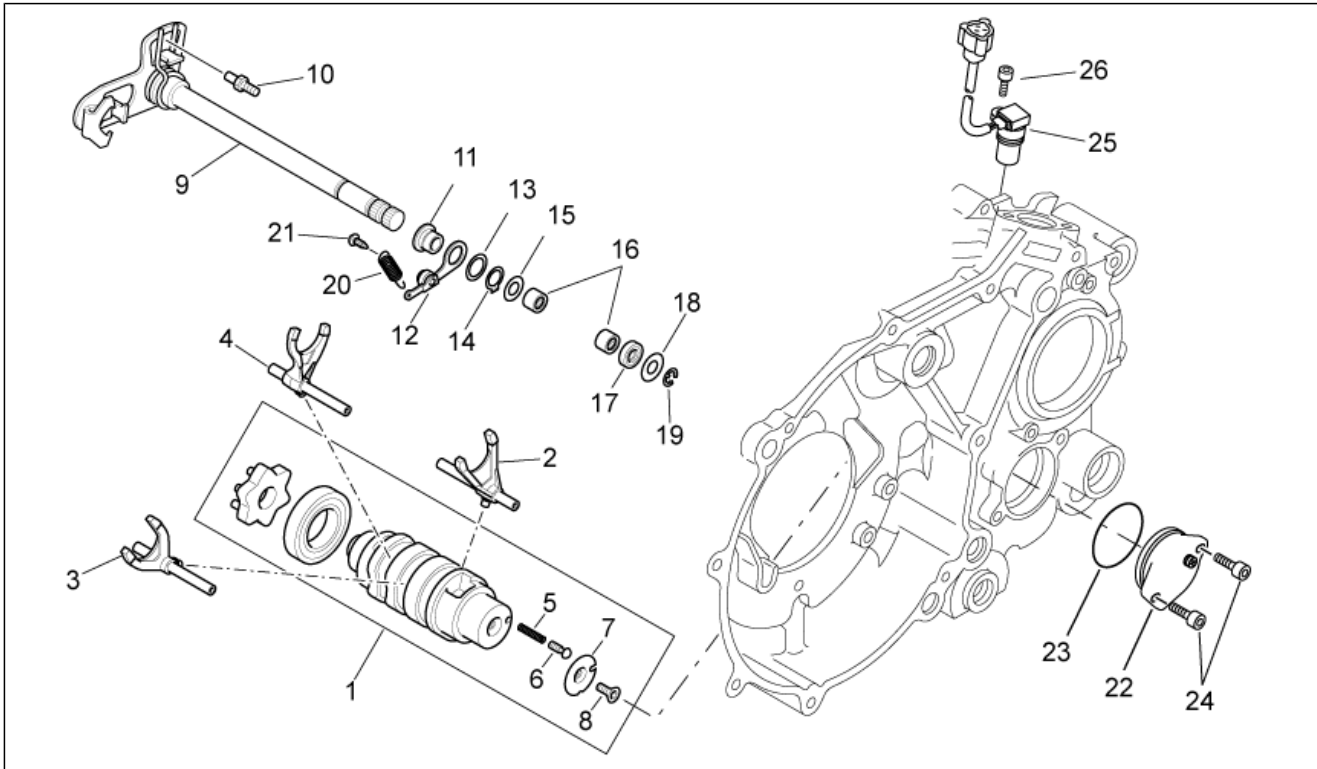


<b>Gruppo</b>	MOTORE
<b>Codice</b>	29.51
<b>Descrizione</b>	Distribuzione
<b>Revisione</b>	1



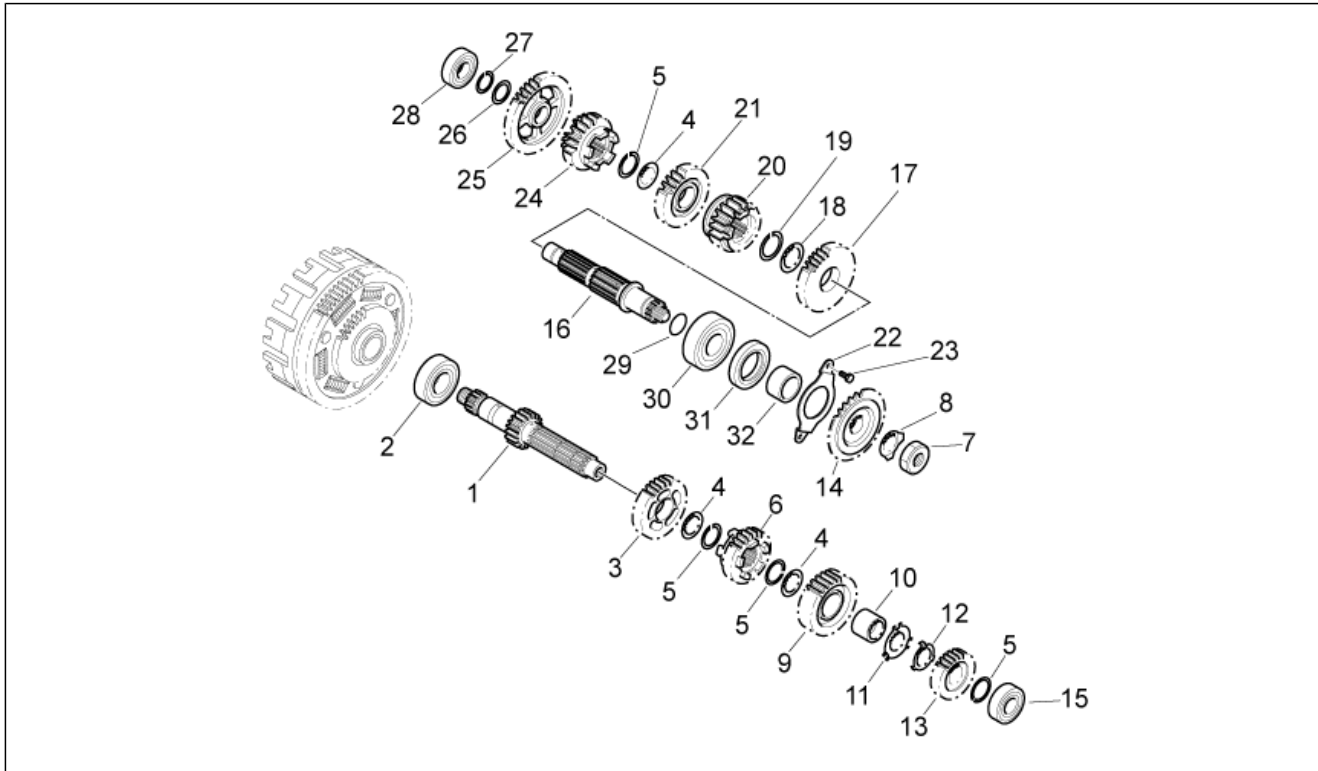
Pos.	Codice	Descrizione	Q.ta	Varianti
1	853352	Albero a camme cpl.	1	<b>Specifiche Tecniche:</b> Omologazione Euro3 (telaio ZD4VDB)[VDB], Omologazione Euro3 (telaio ZD4VDD)[VDD], Omologazione Euro3 (telaio ZD4VDE)[VDE]
1	AP8520141	Albero a camme cpl.	1	<b>Specifiche Tecniche:</b> Omologazione Euro2 (telaio ZD4VD0)[VD0], Omologazione Euro2 (telaio ZD4VDA)[VDA]
2	AP8520265	Cuscinetto 22x44x12	1	
3	AP8520126	Perno D6x29,9	1	
4	AP8520127	Perno leva	1	
5	AP8520167	Piastrina	1	
6	AP8520197	Vite te flang.	2	
7	AP8520072	Corona distribuzione	1	
8	AP8520236	Vite TE M7x1x11	2	
9	AP8520018	Tendicatena	1	
10	AP8520104	Guarnizione tendicatena	1	
11	AP8520255	Vite TCCE M6x25	1	
12	AP8520009	Catena distribuzione	1	
13	AP8520162	Guidacatena	1	
14	AP8520163	Guidacatena	1	
15	AP8520200	Vite TE M6x16	2	

<b>Gruppo</b>	MOTORE
<b>Codice</b>	29.52
<b>Descrizione</b>	Selettore cambio
<b>Revisione</b>	1



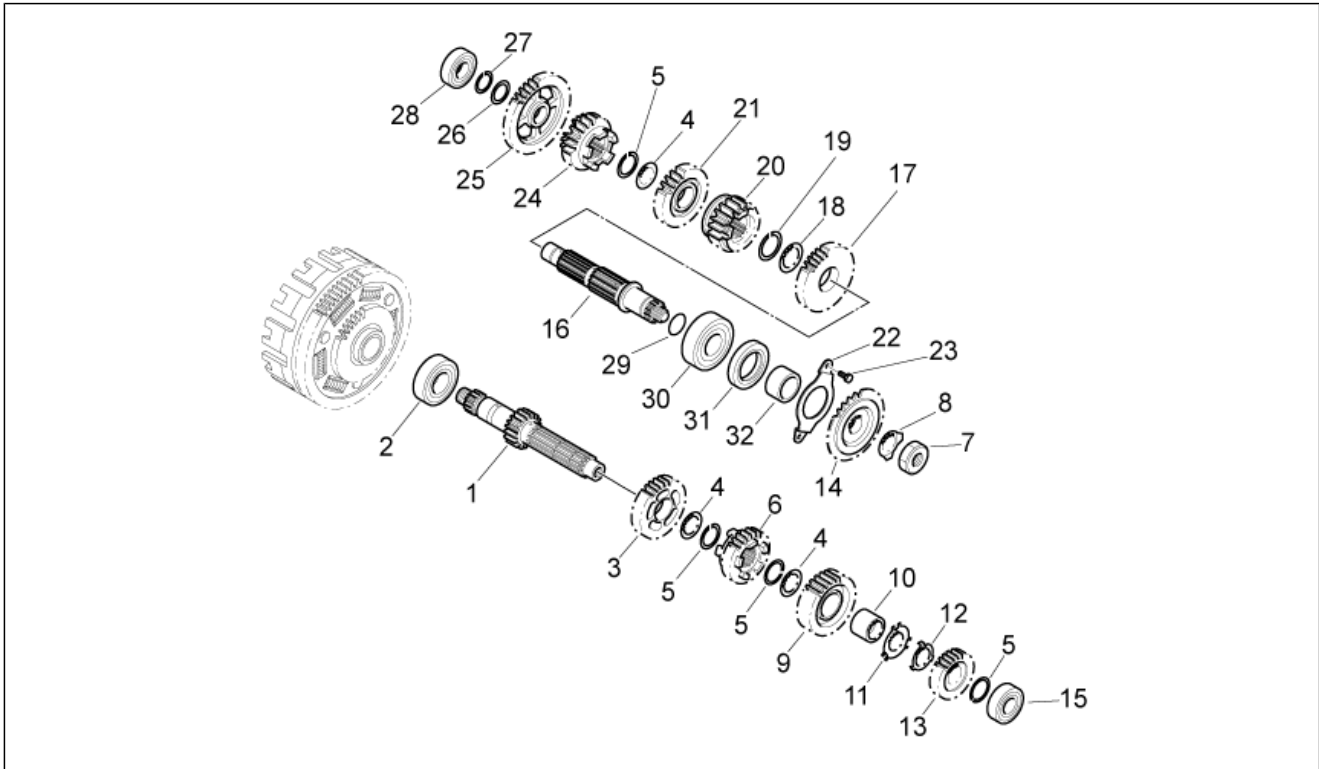
Pos.	Codice	Descrizione	Q.ta	Varianti
1	AP8520006	Desmodromico cpl.	1	
2	AP8520012	Forchetta	1	
3	AP8520053	Forchetta	1	
4	AP8520054	Forchetta	1	
5	AP8520083	Molla	1	
6	AP8520124	Perno D4x12,9	1	
7	AP8520047	Piastrina D26x0,6	1	
8	AP8520206	Vite TSPEI	1	
9	AP8520025	Albero selettore+arpionismo	1	
10	AP8520131	Perno filettato M8x1,25x35	1	
11	AP8520091	Boccola D12x17x14	1	
12	AP8520050	Leva index cpl.	1	
13	AP8520216	Rondella piana D17,3x25x1	1	
14	AP8206233	Anello seeger per albero D17	1	
15	AP8520217	Rondella piana D12x22x0,8	1	
16	AP8520094	Gabbia a rulli D12x16x10	2	
17	AP8520115	Paraolio D12x22x5	1	
18	AP8520186	Rondella piana D12,1x25,8x1,6	1	
19	AP8520145	Anello Seeger D10	1	
20	AP8520082	Molla index	1	
21	AP8520125	Perno aggancio	1	
22	AP8520128	Interruttore spia folle	1	
23	AP8520114	Anello tenuta D29,4x2,4	1	
24	AP8520249	Vite TCCE M6x14	2	
25	AP8520152	Sensore di velocità	1	
26	AP8520230	Vite TCCE M6x14	1	

<b>Gruppo</b>	MOTORE
<b>Codice</b>	29.53
<b>Descrizione</b>	Cambio
<b>Revisione</b>	1



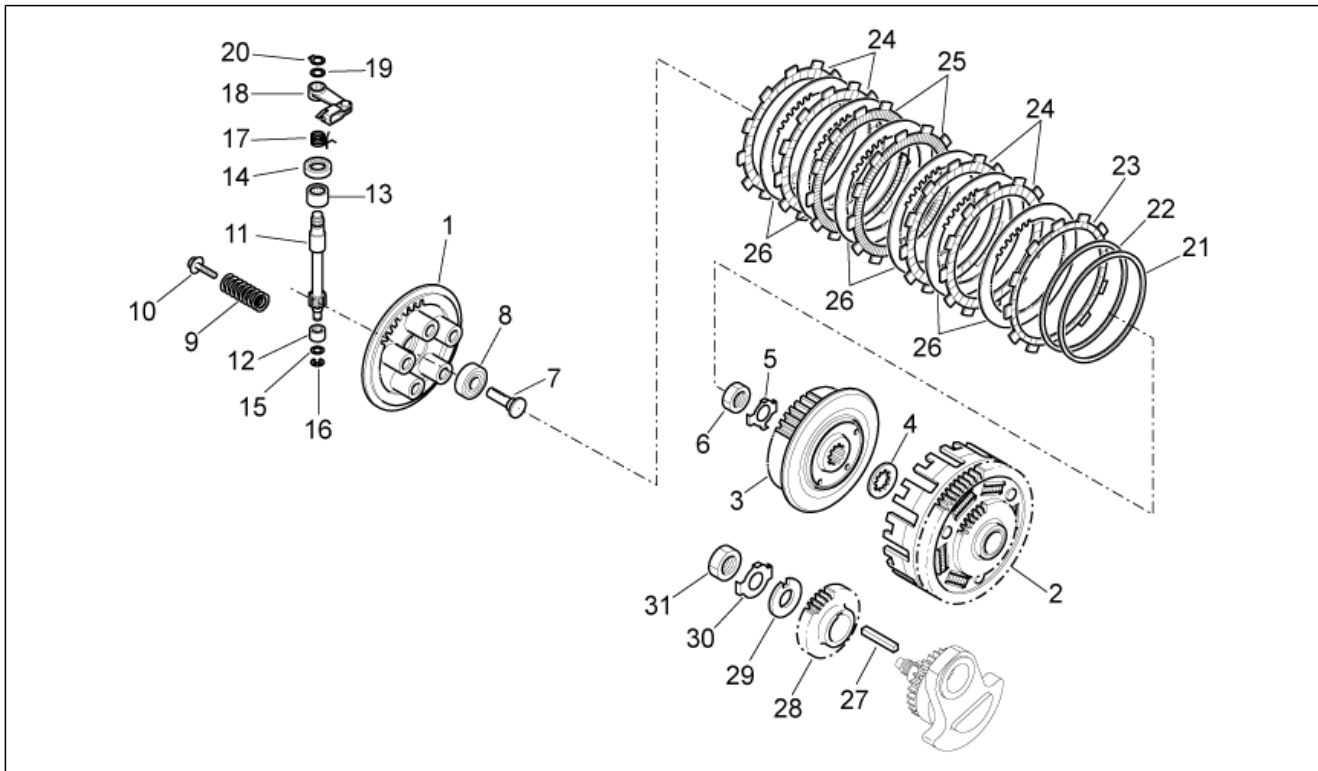
Pos.	Codice	Descrizione	Q.ta	Varianti
1	AP8520023	Albero primario	1	
2	AP8520098	Cuscinetto 25x52x15	1	
3	AP8520064	Ingran.4a su prim. Z=22	1	
4	AP8520219	Rondella piana D21,9x30,8x1	3	
5	AP8520147	Anello seeger per albero D25	4	
6	AP8520063	Ingran.3a su prim. Z=20	1	
7	AP8520179	Dado M18x1	1	
8	AP8520192	Rosetta di sicurezza 21,7x38x1	1	
9	AP8520065	Ingran.5a su prim. Z=26	1	
10	AP8520095	Boccola D21,9x28x21,9	1	
11	AP8520220	Rosetta speciale D22,7x36x1,6	1	
12	AP8520209	Rosetta speciale D21,9x32,5x1	1	
13	AP8520062	ingran.2a su prim. Z=16	1	
14	AP8520014	Pignone	1	
15	AP8520090	Cuscinetto 20x42x12	1	
16	AP8520024	Albero secondario	1	
17	AP8520067	Ingran.2a su sec. Z=26	1	
18	AP8520208	Rosetta D26,25x34x1	1	
19	AP8520146	Anello seeger per albero D28,5	1	
20	AP8520070	Ingran.5a su sec. Z=20	1	
21	AP8520068	Ingran.3a su sec. Z=23	1	
22	AP8520170	Piastrina ritegno	1	
23	AP8520248	Vite TE	2	
24	AP8520069	Ingran.4a su sec. Z=20	1	
25	AP8520066	Ingran.1a su sec. Z=30	1	
26	AP8520221	Rondella piana D20,2x30x1	1	
27	AP8501477	Anello seeger per albero D20	1	
28	AP8520099	Cuscinetto a sfere D20x42x12	1	

<b>Gruppo</b>	MOTORE
<b>Codice</b>	29.53
<b>Descrizione</b>	Cambio
<b>Revisione</b>	1



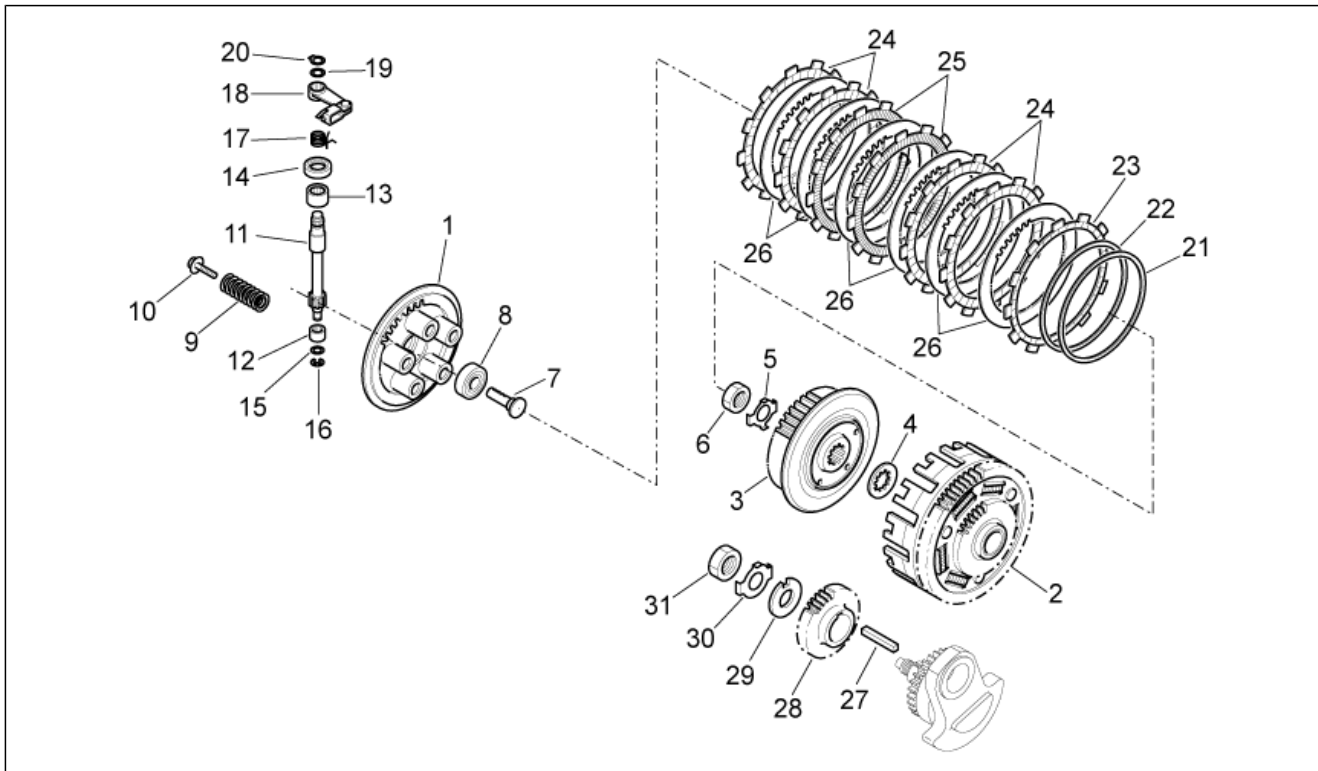
Pos.	Codice	Descrizione	Q.ta	Varianti
29	AP8520282	Anello tenuta 21,5x1,9	1	
30	AP8520100	Cuscinetto D25x62x17	1	
31	AP8520285	Paraolio D35x52x8	1	
32	AP8520096	Boccola D25x35x18,65	1	

<b>Gruppo</b>	MOTORE
<b>Codice</b>	29.54
<b>Descrizione</b>	Frizione
<b>Revisione</b>	1



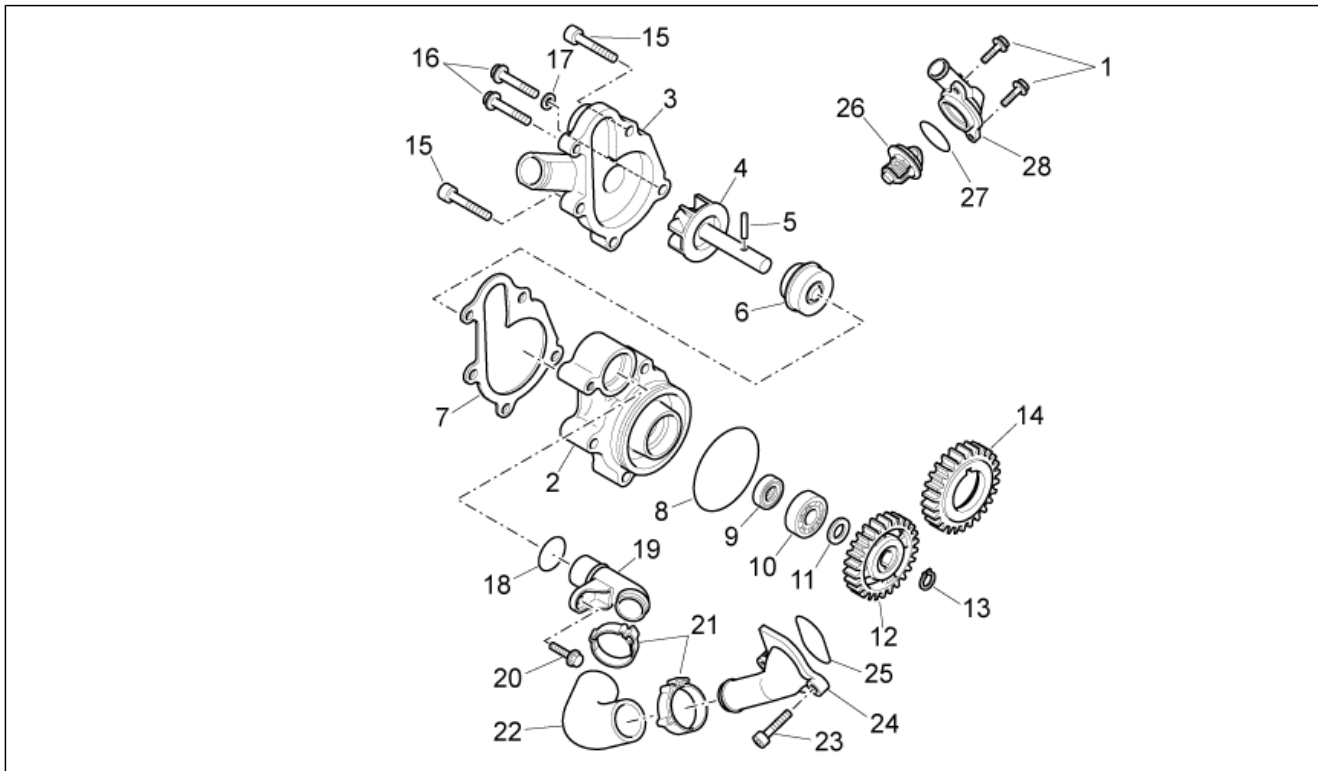
Pos.	Codice	Descrizione	Q.ta	Varianti
1	AP8520055	Spingidisco frizione	1	
2	853336	Campana frizione cpl.	1	<b>Specifiche Tecniche:</b> Omologazione Euro3 (telaio ZD4VDB)[VDB], Omologazione Euro3 (telaio ZD4VDD)[VDD], Omologazione Euro3 (telaio ZD4VDE)[VDE]
2	AP8520044	Campana frizione cpl.	1	<b>Specifiche Tecniche:</b> Omologazione Euro2 (telaio ZD4VD0)[VD0], Omologazione Euro2 (telaio ZD4VDA)[VDA]
3	AP8520061	Tamburo frizione in alluminio	1	
4	AP8520182	Rosetta D25x35x3	1	
5	AP8520190	Rosetta di sicurezza 20,2x30x1	1	
6	AP8520176	Dado M20x1	1	
7	AP8520129	Perno	1	
8	AP8520102	Cuscinetto 17x35x10	1	
9	AP8520084	Molla frizione	5	
10	AP8520193	Vite te flang. M6x35	5	
11	AP8520130	Albero frizione	1	
12	AP8520092	Gabbia a rulli D10x14x10	1	
13	AP8520093	Gabbia a rulli D15x22x12	1	
14	AP8520116	Paraolio D15x25x5	1	
15	AP8520191	Rondella piana D8,4x15,5x1,6	1	
16	AP8520148	Anello seeger per albero D8	1	
17	AP8520086	Molla ritorno leva frizione	1	
18	AP8520048	Leva disinnesto frizione	1	
19	AP8520215	Rosetta acciaio D10,2x16x1	1	
20	AP8520150	Anello seeger per albero D10	1	
21	AP8520188	Rosetta D114x126,5x0,8	1	
22	AP8520087	Molla a tazza D114,5x126x0,9	1	
23	AP8520058	Disco frizione conduttore 2	1	
24	AP8520057	Disco frizione conduttore 1	4	
25	AP8520059	Disco frizione conduttore 3	2	

<b>Gruppo</b>	MOTORE
<b>Codice</b>	29.54
<b>Descrizione</b>	Frizione
<b>Revisione</b>	1



Pos.	Codice	Descrizione	Q.ta	Varianti
26	AP8520056	Disco frizione condotto	6	
27	AP8520174	Chiavetta 7x6,5x47,5	1	
28	853338	Ingranaggio frizione	1	<b>Specifiche Tecniche:</b> Omologazione Euro3 (telaio ZD4VDB) [VDB], Omologazione Euro3 (telaio ZD4VDD)[VDD], Omologazione Euro3 (telaio ZD4VDE)[VDE]
28	AP8520060	Ingranaggio frizione	1	<b>Specifiche Tecniche:</b> Omologazione Euro2 (telaio ZD4VD0) [VD0], Omologazione Euro2 (telaio ZD4VDA)[VDA]
29	AP8520214	Rosetta speciale D20,1x42x4,5	1	
30	AP8520185	Rosetta speciale 20,2x36x1	1	
31	AP8520178	Dado M20x1	1	

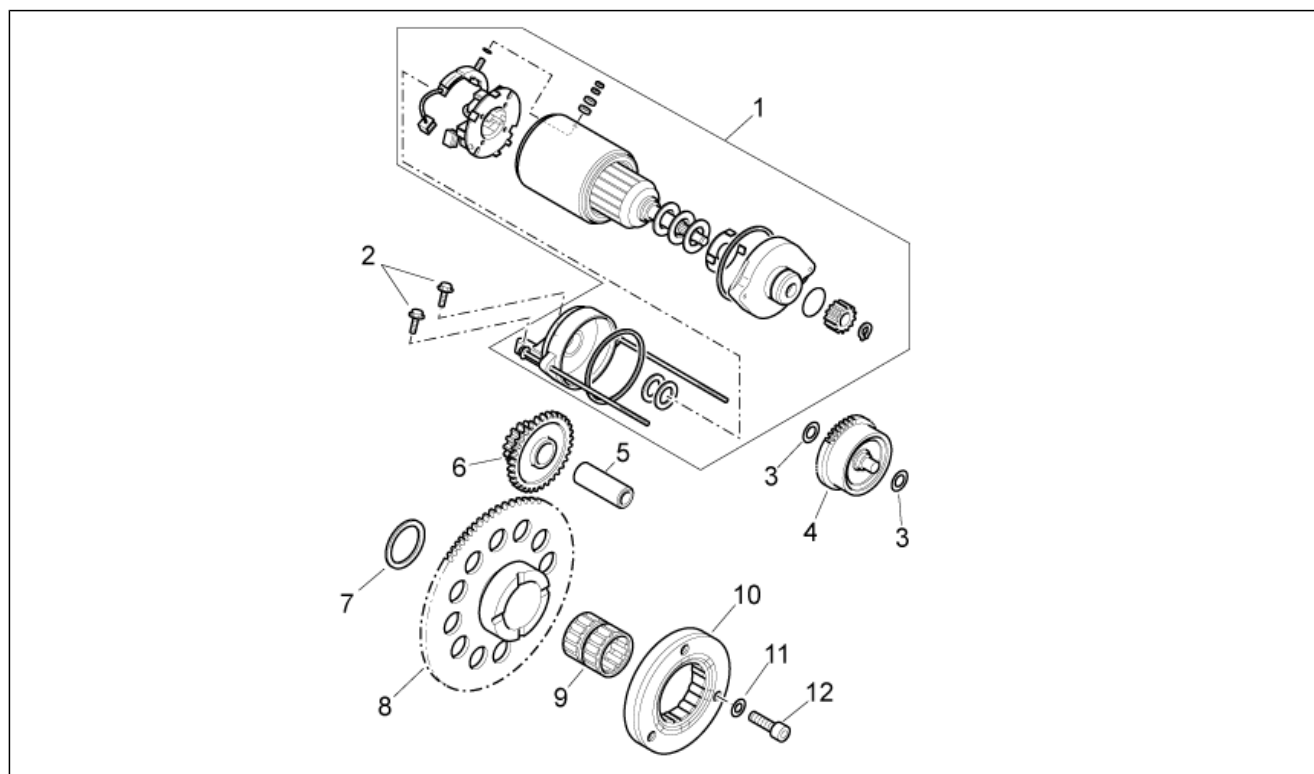
<b>Gruppo</b>	MOTORE
<b>Codice</b>	29.55
<b>Descrizione</b>	Pompa acqua
<b>Revisione</b>	1



Pos.	Codice	Descrizione	Q.ta	Varianti
1	AP8122405	Vite TE flangiata M6x20	2	
2	AP8520138	Corpo pompa acqua	1	
3	AP8520031	Coperchio pompa acqua	1	
4	AP8520118	Girante pompa acqua cpl.	1	
5	AP8520132	Perno pompa acqua	1	
6	AP8520273	Tenuta meccanica pompa	1	
7	AP8520109	Guarnizione	1	
8	AP8520272	Anello OR	1	
9	AP8520117	Paraolio D12x21x4	1	
10	AP8520266	Cuscinetto	1	
11	AP8520189	Rosetta	1	
12	AP8520076	Ingran.pompa acqua condot.	1	
13	AP8122438	Anello di fermo D12	1	
14	AP8520075	Ingran.pompa acqua cond.	1	
15	AP8520207	Vite TCCE M6x50	5	
16	AP8520195	Vite te flang. M6x25	2	
17	AP8520222	Rosetta tenuta	1	
18	AP8520275	Anello tenuta D20,6x2,6	1	
19	AP8520042	Raccordo per tubo acqua	1	
20	AP8520245	Vite TCCE	1	
21	AP8520088	Fascetta clic D29	2	
22	AP8520040	Tubo pompa-cilindro	1	
23	AP8520232	Vite TCCE M6x20	4	
24	AP8520134	Raccordo per tubo acqua	1	
25	AP8520274	Anello tenuta D33,2x2,4	1	
26	AP8520120	Termostato	1	
27	AP8520276	Anello tenuta D41,4x3,1	1	
28	AP8520029	Coperchio termostato	1	

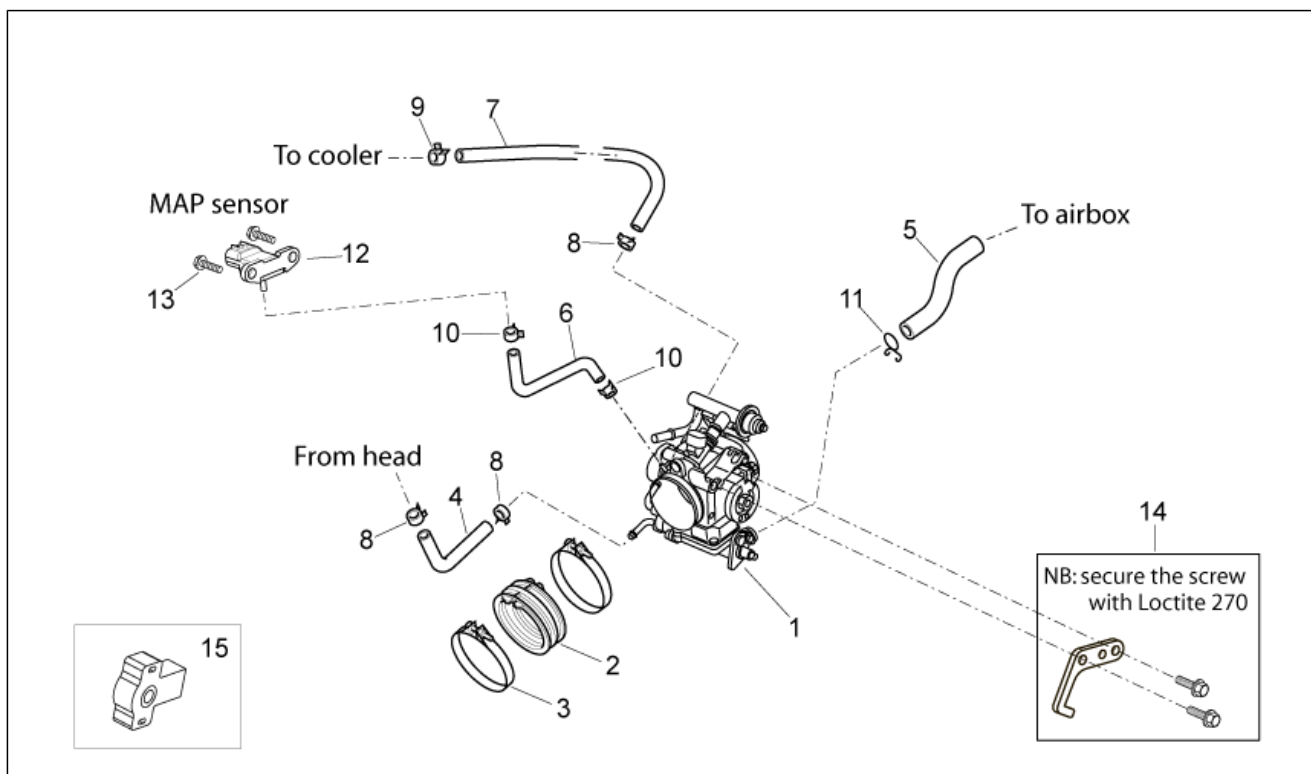


<b>Gruppo</b>	MOTORE
<b>Codice</b>	29.56
<b>Descrizione</b>	Motorino avviamento
<b>Revisione</b>	1



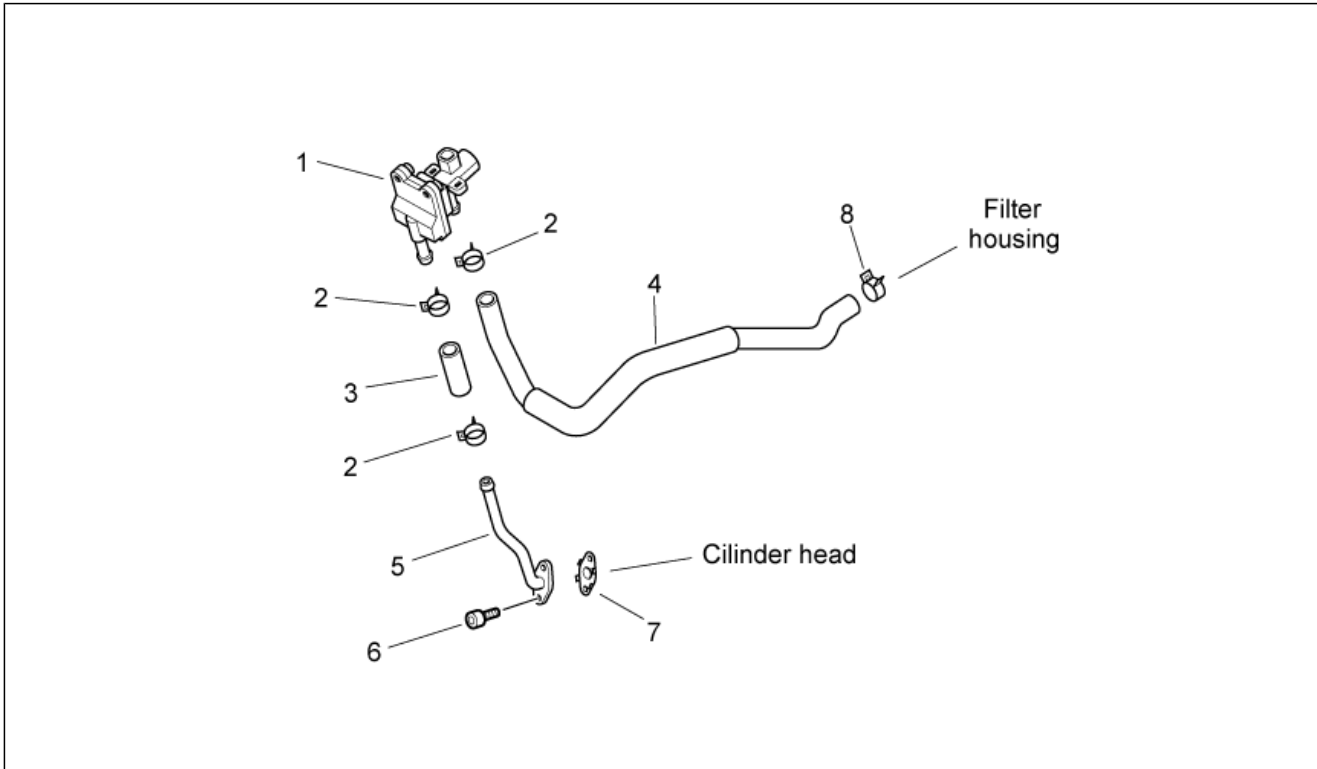
Pos.	Codice	Descrizione	Q.ta	Varianti
1	AP8520003	Motorino avv.to s.za cablaggio	1	
2	AP8520201	Vite te flang. M6x35	2	
3	AP8520223	Rondella piana D10,2x18x1	2	
4	AP8520077	Limitatore coppia cpl.	1	
5	AP8520123	Perno	1	
6	AP8520071	Ingranaggio intermedio	1	
7	AP8520212	Rondella piana D30,2x50x2	1	
8	AP8520073	Corona avviamento Z=79	1	
9	AP8520267	Gabbia D30x37x32	1	
10	AP8520080	Ruota libera cpl.	1	
11	AP8520213	Rondella piana D8,2x14x0,2	3	
12	AP8520233	Vite TCCE	3	

<b>Gruppo</b>	MOTORE
<b>Codice</b>	29.57
<b>Descrizione</b>	Corpo farfallato
<b>Revisione</b>	1



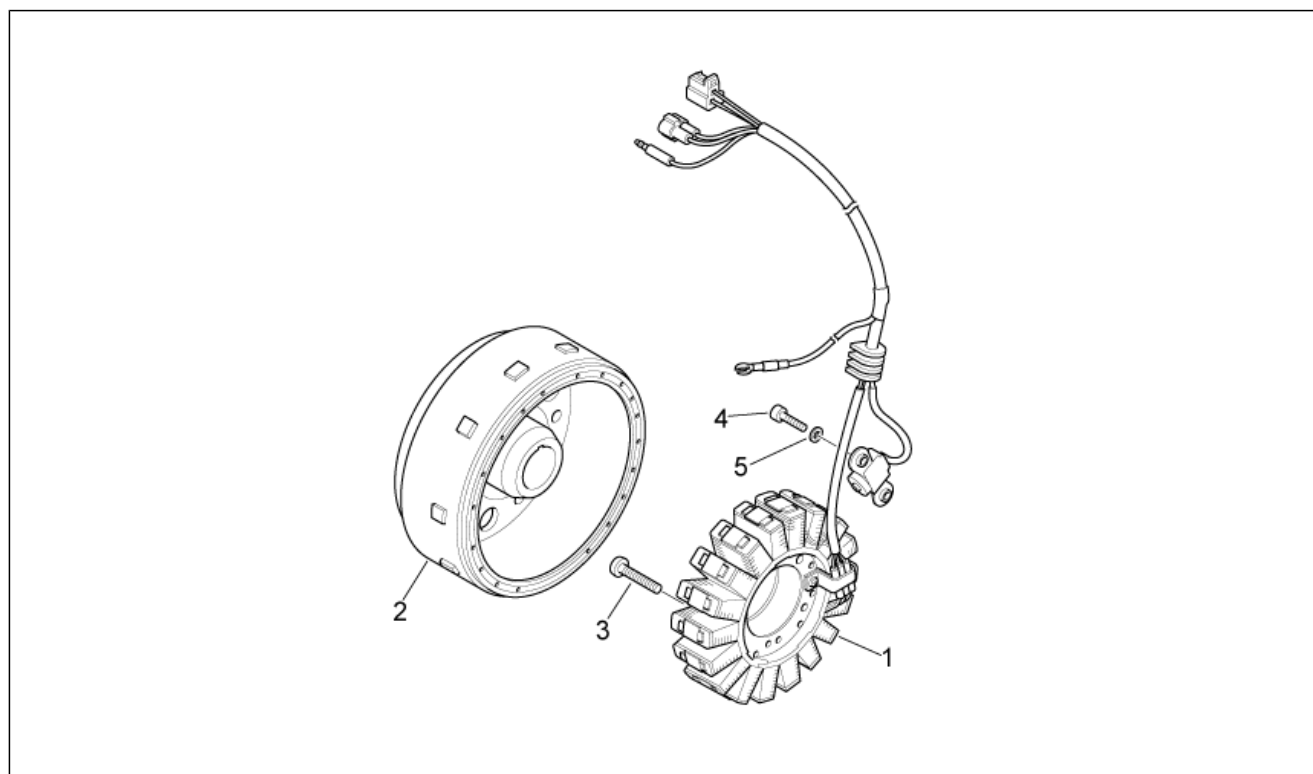
Pos.	Codice	Descrizione	Q.ta	Varianti
1	853319	Corpo farfallato cpl.	1	<b>Specifiche Tecniche:</b> Omologazione Euro3 (telaio ZD4VDB)[VDB], Omologazione Euro3 (telaio ZD4VDD)[VDD], Omologazione Euro3 (telaio ZD4VDE)[VDE]
1	AP8176201	Corpo farfallato cpl.	1	<b>Specifiche Tecniche:</b> Da motore A3C41-002146[M2], Omologazione Euro2 (telaio ZD4VD0)[VD0], Omologazione Euro2 (telaio ZD4VDA)[VDA]
1	AP8520001	Corpo farfallato cpl.	1	<b>Specifiche Tecniche:</b> Fino a motore A3C41-002145[M1], Omologazione Euro2 (telaio ZD4VD0)[VD0], Omologazione Euro2 (telaio ZD4VDA)[VDA]
2	AP8520015	Collettore D46	1	
3	AP8520172	Fascetta D72	2	
4	AP8520156	Tubo preformato D5,5x11,5	1	
5	AP8520159	Tubo preformato D13x18	1	
6	AP8520158	Tubo sensore	1	
7	AP8520164	Tubo	1	
8	AP8520089	Fascetta D11,5	3	
9	AP8520263	Fascetta D11,5	1	
10	AP8552005	Fascetta D8,5	2	
11	AP8520259	Fascetta D18	1	
12	AP8520154	Sensore pressione aria	1	
13	AP8152277	Vite TE flangiata M6x12	2	
14	AP8176186	Kit depotenziamento 25KW	1	<b>Specifiche Tecniche:</b> Versione 25Kw[25KW]
15	854568	Sensore TPS	1	

<b>Gruppo</b>	MOTORE
<b>Codice</b>	29.58
<b>Descrizione</b>	Aria secondaria
<b>Revisione</b>	1



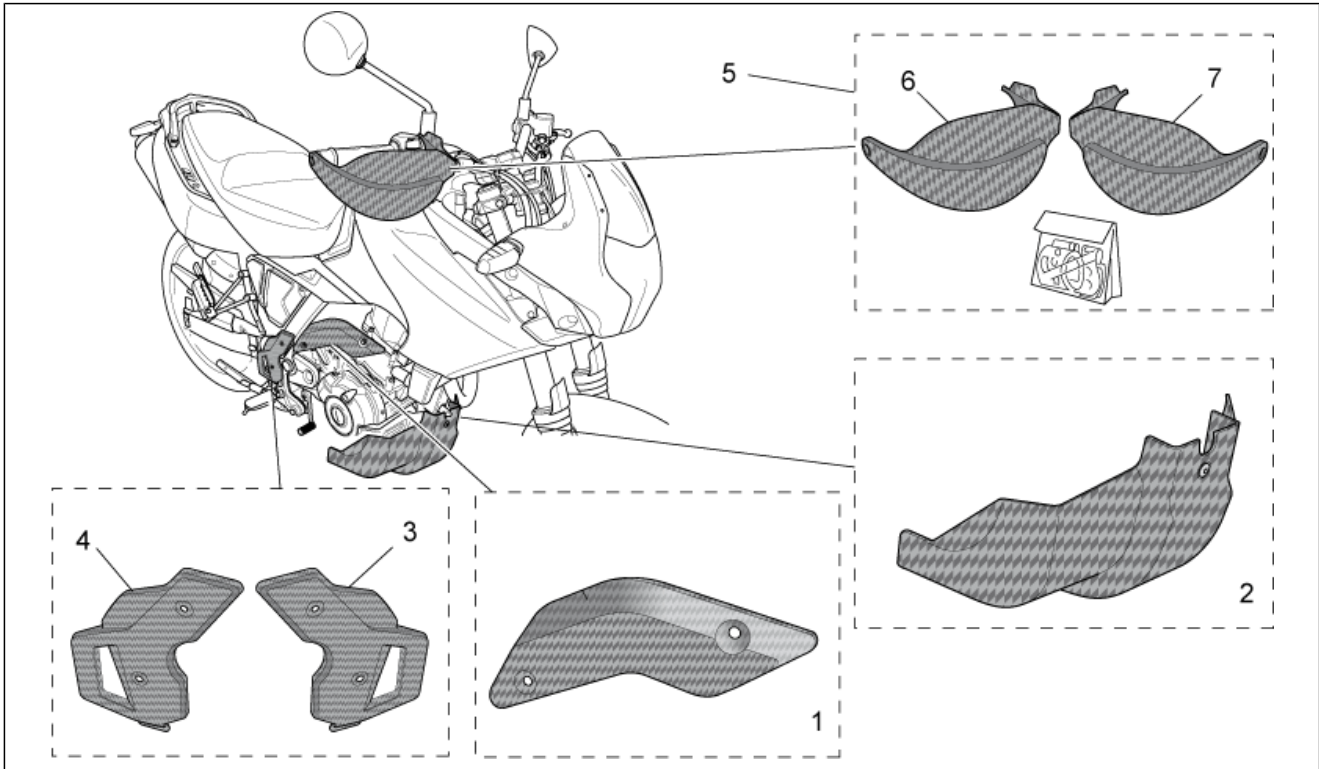
Pos.	Codice	Descrizione	Q.ta	Varianti
1	AP8520140	Valvola SAS	1	
2	AP8520257	Fascetta D17	3	
3	AP8520157	Tubo uscita aria SAS	1	
4	AP8520161	Tubo aspirazione SAS	1	
5	AP8520041	Tubo uscita aria SAS	1	
6	AP8520184	Vite TCCE M6x16	2	
7	AP8520107	Guarnizione in rame SAS	1	
8	AP8520258	Fascetta D17	1	

<b>Gruppo</b>	MOTORE
<b>Codice</b>	29.59
<b>Descrizione</b>	Accensione
<b>Revisione</b>	1



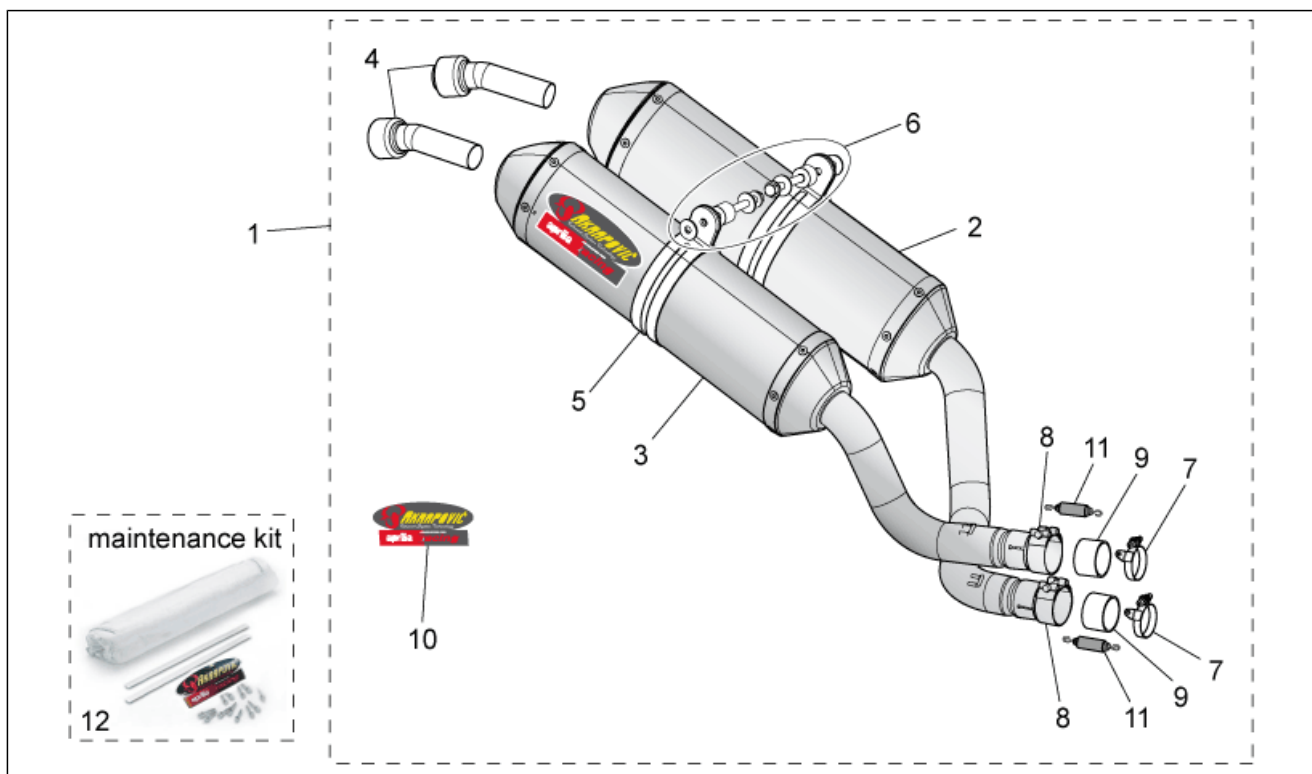
Pos.	Codice	Descrizione	Q.ta	Varianti
1	AP8520021	Statore cpl.	1	
2	853323	Rotore volano	1	<b>Specifiche Tecniche:</b> Omologazione Euro3 (telaio ZD4VDB)[VDB], Omologazione Euro3 (telaio ZD4VDD)[VDD], Omologazione Euro3 (telaio ZD4VDE)[VDE]
2	AP8520022	Rotore volano	1	<b>Specifiche Tecniche:</b> Omologazione Euro2 (telaio ZD4VD0)[VD0], Omologazione Euro2 (telaio ZD4VDA)[VDA]
3	AP8520254	Vite TCB M6x30	3	
4	AP8520194	Vite TCCE	2	
5	AP8520218	Rondella piana D5,3X10X1	2	

<b>Gruppo</b>	ACCESSORI
<b>Codice</b>	30.60
<b>Descrizione</b>	Acc. - Carrozzeria Speciale
<b>Revisione</b>	1



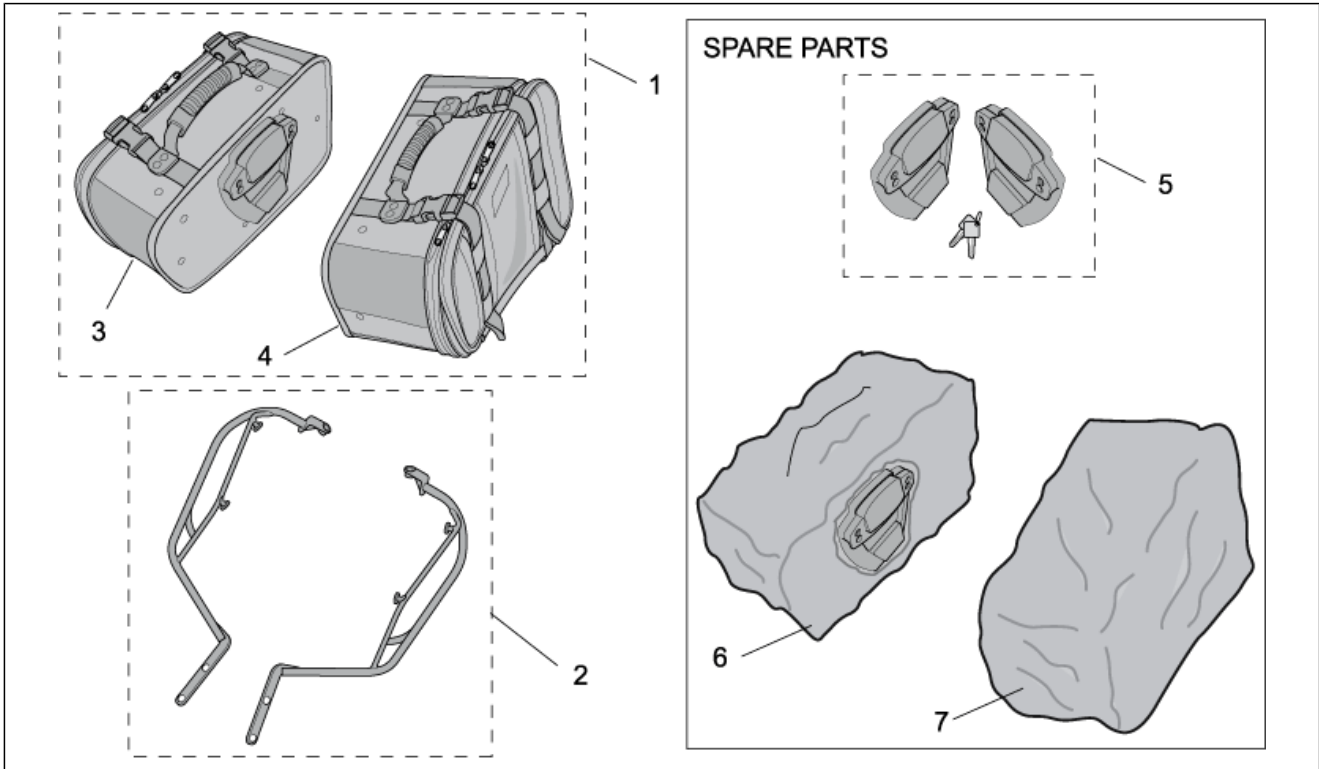
Pos.	Codice	Descrizione	Q.ta	Varianti
1	AP8794050	Protezione anticalore scarico	1	Specifiche Tecniche:Accessori[A]
2	AP8794053	Paracoppa carb.	1	Specifiche Tecniche:Accessori[A]
3	AP8794052	Protezione pedana pil.sx Carb.	1	Specifiche Tecniche:Accessori[A]
4	AP8794051	Protezione pedana pil.dx Carb	1	Specifiche Tecniche:Accessori[A]
5	AP8791290	Kit paramani Carb.	1	Specifiche Tecniche:Accessori[A]
6	AP8791291	Paramani dx Carb.	1	Specifiche Tecniche:Accessori[A]
7	AP8791292	Paramani sx Carb.	1	Specifiche Tecniche:Accessori[A]

<b>Gruppo</b>	ACCESSORI
<b>Codice</b>	30.61
<b>Descrizione</b>	Acc. - Trasformazione
<b>Revisione</b>	1



Pos.	Codice	Descrizione	Q.ta	Varianti
1	AP8797429	Kit scarichi Slip-On	1	<b>Specifiche Tecniche:</b> Accessori[A], Tutti i Paesi con Omolog.CEE-E1 0489[Om]
2	AP8797430	Silenziatore sx	1	<b>Specifiche Tecniche:</b> Accessori[A], Tutti i Paesi con Omolog.CEE-E1 0489[Om]
3	AP8797431	Silenziatore dx	1	<b>Specifiche Tecniche:</b> Accessori[A], Tutti i Paesi con Omolog.CEE-E1 0489[Om]
4	AP8797432	Riduzione scarico Akra.	2	<b>Specifiche Tecniche:</b> Accessori[A], Tutti i Paesi con Omolog.CEE-E1 0489[Om]
5	AP8797433	Fascetta c/supporto Akra.	2	<b>Specifiche Tecniche:</b> Accessori[A]
6	AP8797434	Kit minuterie	1	<b>Specifiche Tecniche:</b> Accessori[A]
7	AP8797435	Fascetta silenziatore D.35	2	<b>Specifiche Tecniche:</b> Accessori[A]
8	AP8797437	Fascetta silenziatore D.40	2	<b>Specifiche Tecniche:</b> Accessori[A]
9	AP8797436	Guarnizione silenziatore	1	<b>Specifiche Tecniche:</b> Accessori[A]
10	AP8797215	Adesivo	1	<b>Specifiche Tecniche:</b> Accessori[A], Tutti i Paesi con Omolog.CEE-E1 0489[Om]
11	AP8797438	Molla tubi scarico	1	<b>Specifiche Tecniche:</b> Accessori[A]
12	AP8797439	Kit revisione silenziatore	1	<b>Specifiche Tecniche:</b> Accessori[A], Tutti i Paesi con Omolog.CEE-E1 0489[Om]

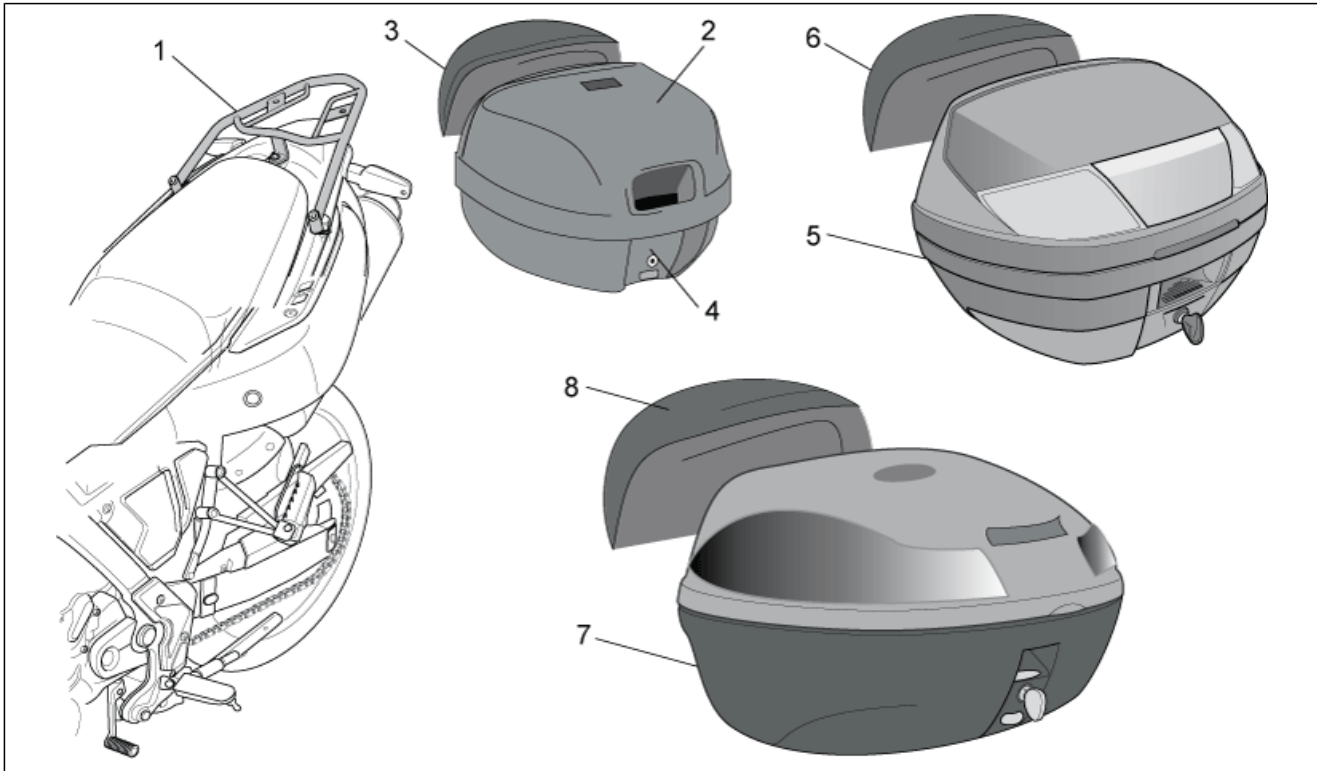
<b>Gruppo</b>	ACCESSORI
<b>Codice</b>	30.62
<b>Descrizione</b>	Acc.-Bauli, valigie, borse I
<b>Revisione</b>	1



Pos.	Codice	Descrizione	Q.ta	Varianti
1	AP8792397	Valigie-coppia 25-34lt.	1	Specifiche Tecniche:Accessori[A]
2	AP8792401	Kit Supp.valigie-coppia	1	Specifiche Tecniche:Accessori[A]
3	AP8792395	Valigia dx 12,5-17lt.	1	Specifiche Tecniche:Accessori[A]
4	AP8792396	Valigia sx 12,5-17lt.	1	Specifiche Tecniche:Accessori[A]
5	AP8792400	Kit fast click couple	1	Specifiche Tecniche:Accessori[A]
6	AP8792398	Copertura antipioggia dx	1	Specifiche Tecniche:Accessori[A]
7	AP8792399	Copertura antipioggia sx	1	Specifiche Tecniche:Accessori[A]

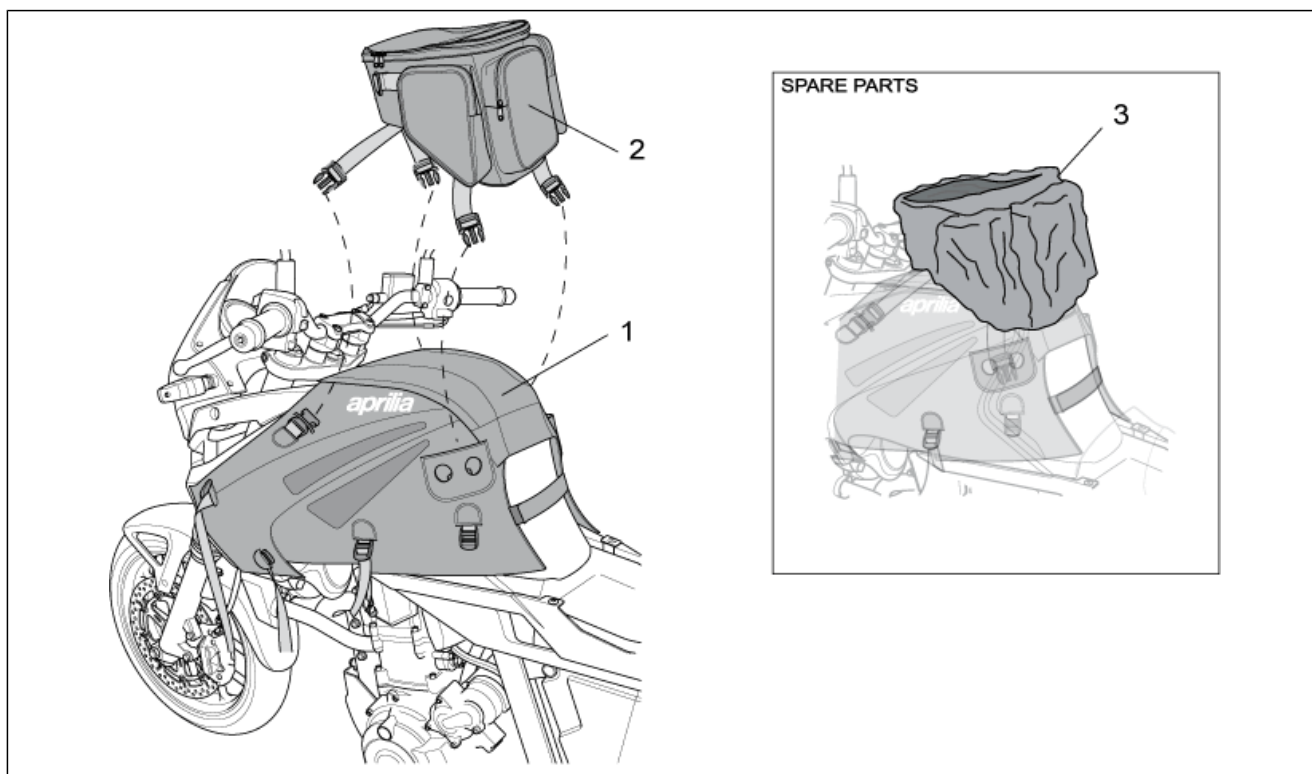


<b>Gruppo</b>	ACCESSORI
<b>Codice</b>	30.63
<b>Descrizione</b>	Acc.-Bauli, valigie, borse II
<b>Revisione</b>	1



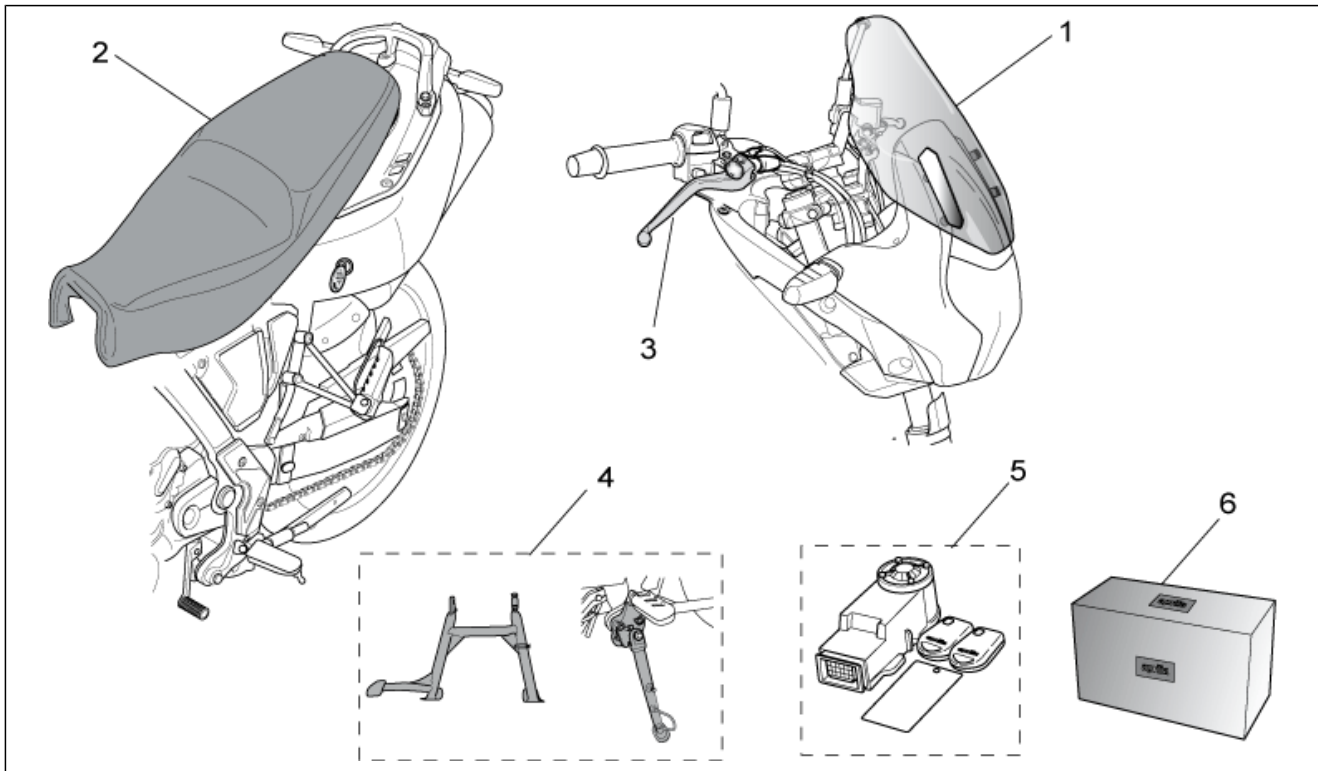
Pos.	Codice	Descrizione	Q.ta	Varianti
1	AP8792402	Portapacchi	1	Specifiche Tecniche:Accessori[A]
2	AP8792066	Baule gofrato New-C 32L	1	Specifiche Tecniche:Accessori[A]
3	AP8797400	Schienale baule nero New-C 32L	1	Specifiche Tecniche:Accessori[A]
4	AP8104197	Serratura bauletto cpl.	1	Specifiche Tecniche:Accessori[A]
5	CM220401	Baule City-35L	1	Specifiche Tecniche:Accessori[A]
6	852312	Schienale baule City-35L	1	Specifiche Tecniche:Accessori[A]
7	CM220301	Baule gofrato Street C II-47L	1	Specifiche Tecniche:Accessori[A]
8	852313	Schienale baule Street C II-47	1	Specifiche Tecniche:Accessori[A]

<b>Gruppo</b>	ACCESSORI
<b>Codice</b>	30.64
<b>Descrizione</b>	Acc.-Bauli, valigie, borse III
<b>Revisione</b>	1



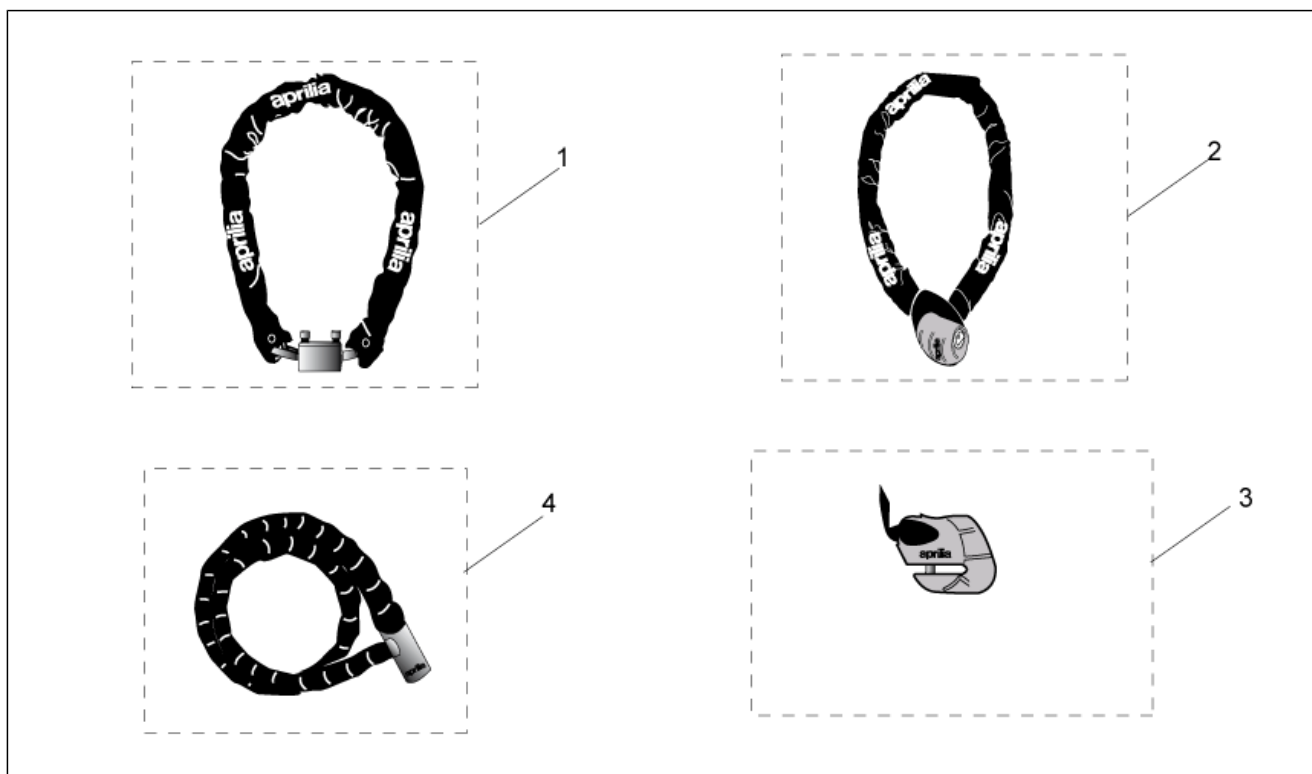
Pos.	Codice	Descrizione	Q.ta	Varianti
1	AP8792405	Copriserbatoio Skay	1	Specifiche Tecniche:Accessori[A]
2	AP8792403	Borsa serbatoio 14lt	1	Specifiche Tecniche:Accessori[A]
3	AP8792404	Copert.Antipioggia borsa t.bag	1	Specifiche Tecniche:Accessori[A]

<b>Gruppo</b>	ACCESSORI
<b>Codice</b>	30.65
<b>Descrizione</b>	Acc. - Vari
<b>Revisione</b>	1



Pos.	Codice	Descrizione	Q.ta	Varianti
1	AP8791285	Parabrezza cpl. adjustable	1	<b>Specifiche Tecniche:</b> Accessori[A]
2	AP8793695	Sella alta 850mm.	1	<b>Specifiche Tecniche:</b> Accessori[A]
3	AP8133510	Leva freno ant.	1	<b>Specifiche Tecniche:</b> Accessori[A]
4	852614	Kit cavalletto centrale	1	<b>Specifiche Tecniche:</b> Accessori[A], Versione Enduro Trail[RX], Omologazione Euro3 (telaio ZD4VDB)[VDB], Omologazione Euro3 (telaio ZD4VDD)[VDD], Omologazione Euro3 (telaio ZD4VDE)[VDE]
4	853162	Kit cavalletto centrale	1	<b>Specifiche Tecniche:</b> Accessori[A], Versione Enduro Trail[RX], Omologazione Euro2 (telaio ZD4VD0)[VD0], Omologazione Euro2 (telaio ZD4VDA)[VDA]
4	AP851720	Kit cavalletto centr./lat.	1	<b>Specifiche Tecniche:</b> Accessori[A], Versione Strada[SX], Omologazione Euro2 (telaio ZD4VD0)[VD0], Omologazione Euro2 (telaio ZD4VDA)[VDA]
5	AP8794042	Kit antifurto	1	<b>Specifiche Tecniche:</b> Accessori[A]
6	AP8794045	Kit installazione	1	<b>Specifiche Tecniche:</b> Accessori[A]

<b>Gruppo</b>	ACCESSORI
<b>Codice</b>	30.66
<b>Descrizione</b>	Acc. - Antifurti meccanici
<b>Revisione</b>	1



Pos.	Codice	Descrizione	Q.ta	Varianti
1	AP8720115	Iron Guard 10x150 mm	1	Specifiche Tecniche:Accessori[A]
2	AP8720116	Iron Guard 8x120 mm	1	Specifiche Tecniche:Accessori[A]
3	AP8720117	Iron Guard Disk 5 mm	1	Specifiche Tecniche:Accessori[A]
4	AP8720118	Easy Guard 150 mm	1	Specifiche Tecniche:Accessori[A]